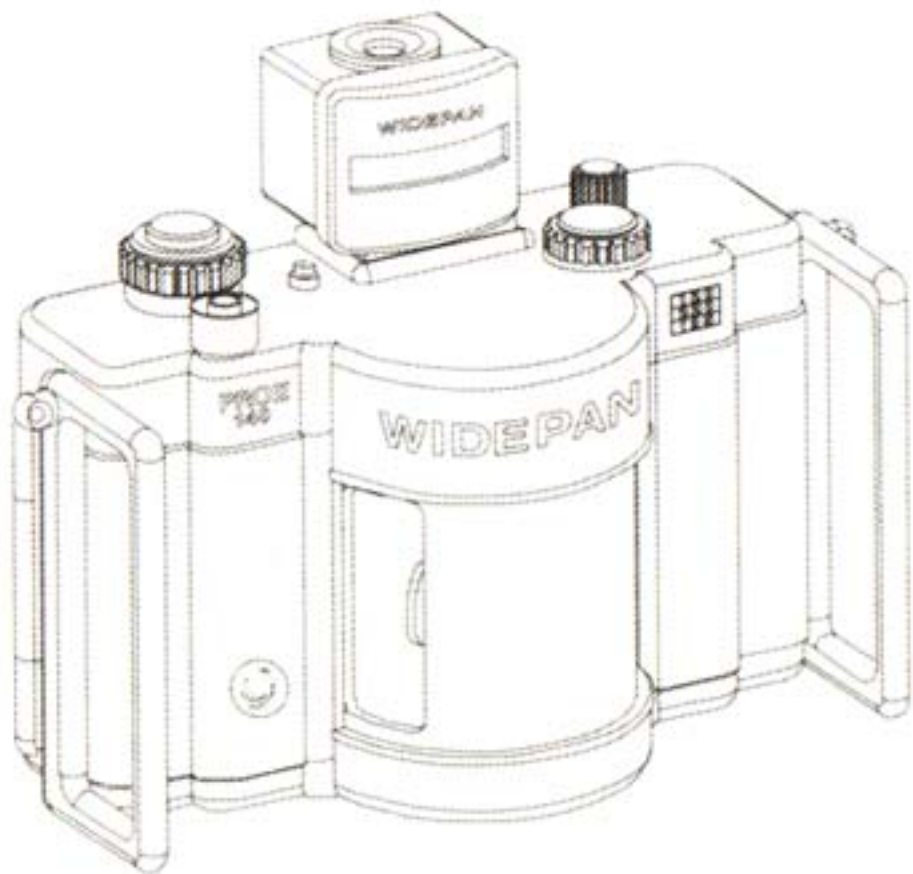


全景幅 / PRO II 型 镜头旋转式照相机

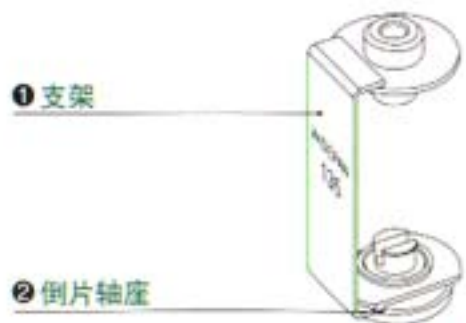
135专用附件 使用说明书



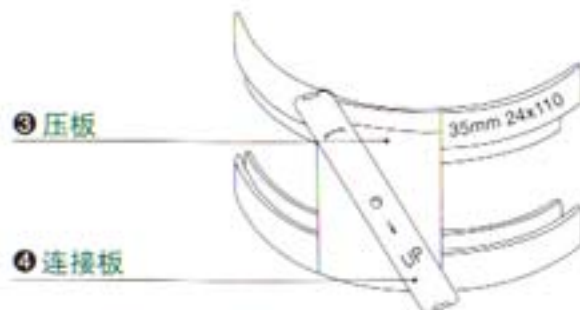
WIDEPAN / PROII

PANORAMIC CAMERA

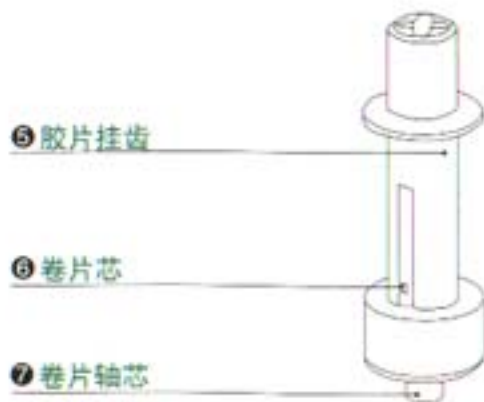
附件视图与构件名称



胶卷支架



画幅遮幅器



卷片器

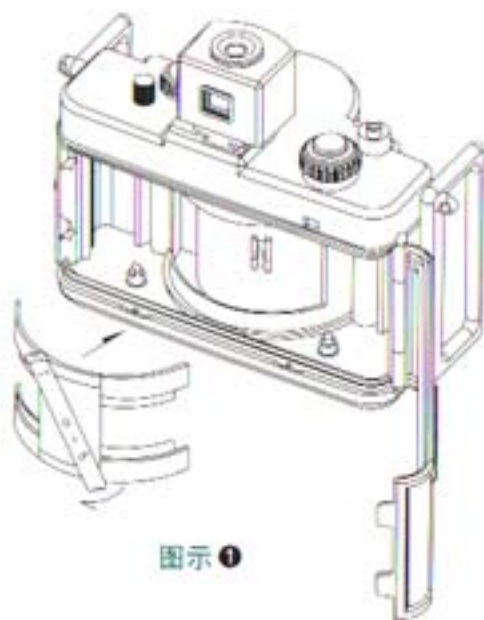


取景遮幅器

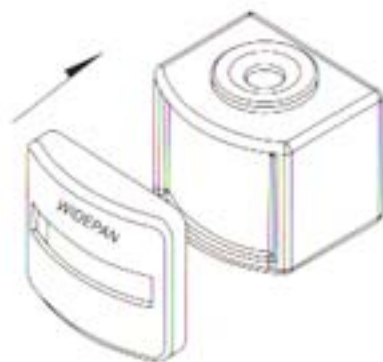
135胶卷装卸与卷片计数

一、安装准备

1. 开启后盖，计数器复位至起始位置，显示“S”。
2. 装入全景遮幅器：
将全景遮幅器按图示①位置放入，并放转压板固定。
注意安装到位。
3. 将取景器遮幅罩按图示②位置装入取景器。



图示 ①



图示 ②

二、135胶卷安装

1. 向下拉出倒片轴座，装入胶卷；再推上倒片轴座。图③

2. 按图④顺序安装胶卷。

① 将胶片头穿过导片辊1从胶片导轨侧拉出，沿着全景遮幅卷片道插入连接板拉出。

② 装入胶卷安装支架。见图⑤

按入供片轴脱开按钮，供片轴下轴芯向外弹出，将胶卷安装支架插入供片轴上轴芯，并对准倒片轴座，再将供片轴下轴芯插入。

③ 将胶卷片头从胶片导轨侧插入，穿过导片辊2之后拉出。

④ 安装卷片器：

按入卷片轴脱开按钮，卷片轴下轴芯向外弹出。将卷片器的卷片轴芯插入卷片轴下轴芯压住，并对准卷片轴上轴芯，再将卷片轴下轴芯推入，

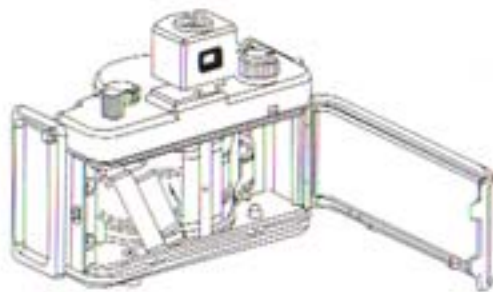
图③



图④



图⑤

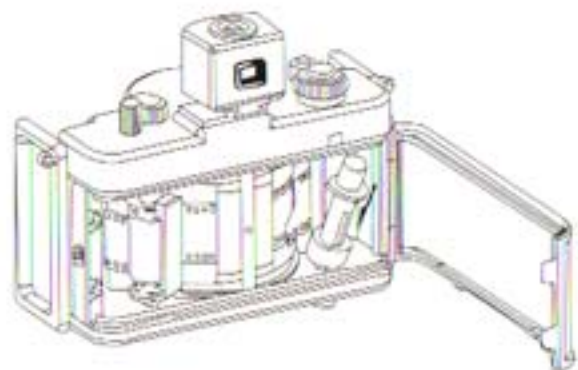


将片舌插入卷片器的片槽，并使槽内的挂齿进入片孔。见图⑥

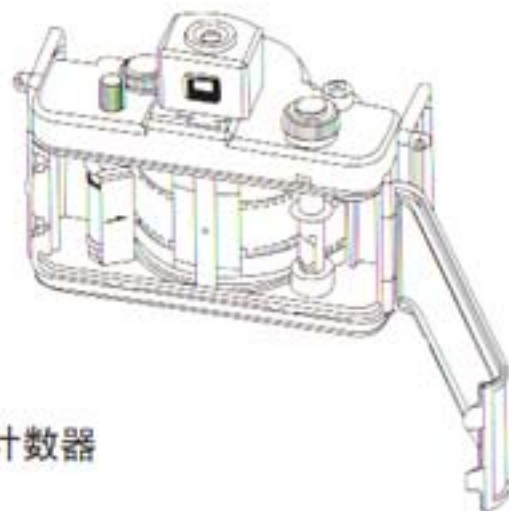
⑤ 装片完成效果图。见图⑦

提示：把胶卷支架靠向遮幅器一侧。

⑥ 关闭后盖。



图示⑥



图示⑦

三、卷片计数

1. 第一画幅：

旋转卷片旋钮至旋转不动，卷片自动定位于它一画幅，计数器显示“0”，可以进行第一画幅的拍摄。

2. 第一画幅拍摄完成后，旋转卷片旋钮至自动定位于第二画幅，计数显示“1”……。

3. 重复操作②，则可拍摄其余画幅。

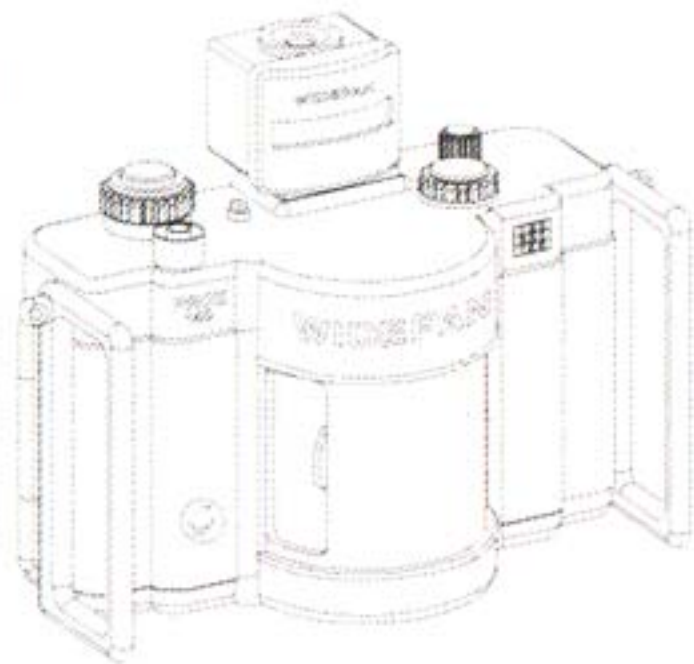
四、取出胶卷

1. 第十画幅拍摄完成后(计数器显示“9”),依箭头方向拨动相机底部的倒片释放钮到底,使卷片轴下轴芯向外弹出。
2. 按箭头方向旋转倒片旋钮,将已拍摄胶卷逐渐回收至暗盒,至计数器显示“S”。
3. 开启后盖。
4. 取出胶卷。

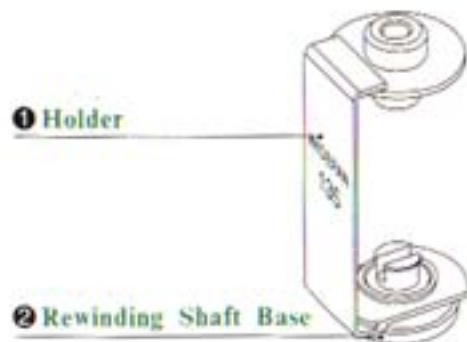
WIDEPAN / PROII

PANORAMIC CAMERA

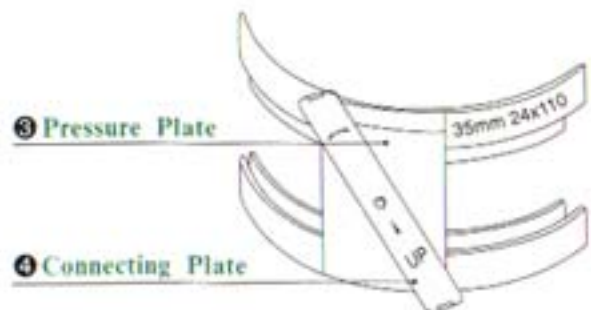
135 Special Accessory Parts
USER'S MANUAL



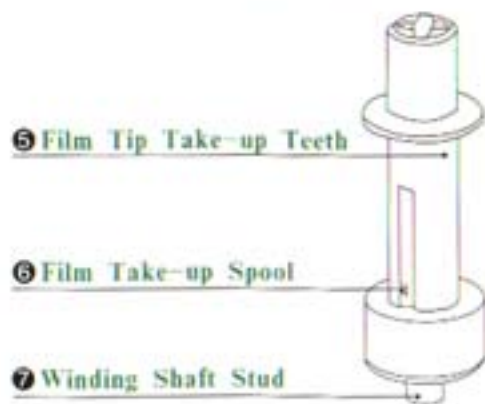
Description of Accessory Parts



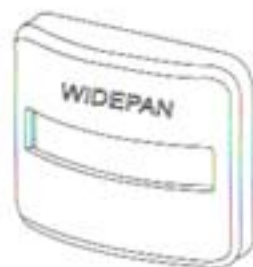
Film Holder



Film Frame Mask



Film Winder



Viewfinder Mask

Loading & Retrieving 135 Film and Film Counting

Installation and Preparation

1. Open Back Cover, Exposure Counter Shows " S "
2. Load Film Frame Mask:
Load Film Frame Mask as shown in Fig.1 and rotate Pressure Plate, make sure it is installed in position.
3. Apply Viewfinder Mask on Viewfinder as shown in Fig.2.

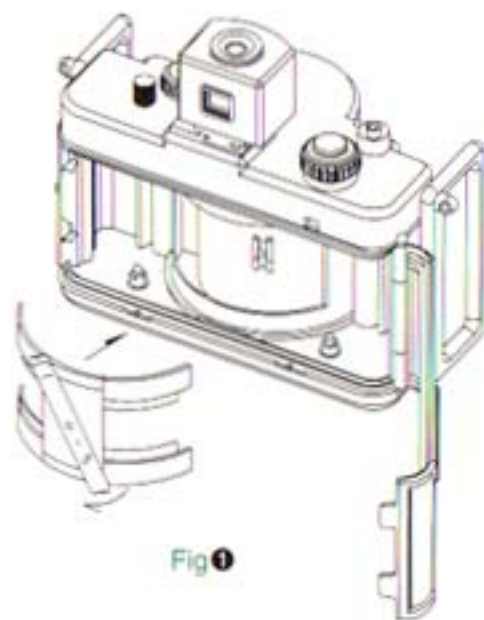


Fig 1

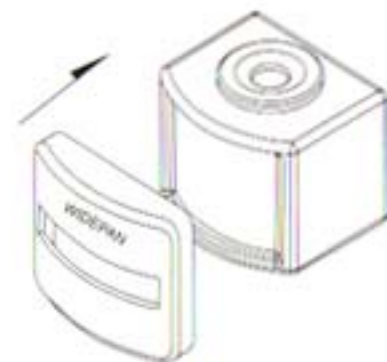


Fig 2

135 Film Loading

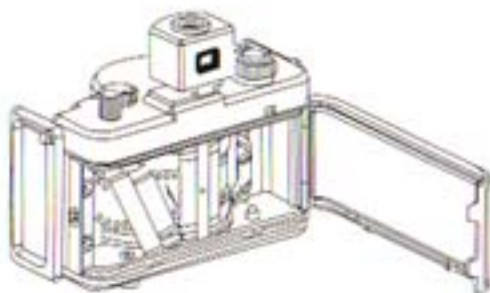
Fig ③



Fig ④



Fig ⑤



1. Pull out Rewinding Shaft, load the film and push back into Rewinding Shaft Base (Fig.3)

2. Load the film as shown in (Fig.4)

① Insert the film tip through Film Pilot Roller 1 and pull out the tip.

② Install Film Holder (Fig.5)

Press down Film Feed-in Shaft Take-off Button to spring out Film Feed-in Shaft (Down). Insert Film Holder into Film Feed-in Shaft (Upper) to make it align with Rewinding Shaft Base, then push down Film Feed-in Shaft (Down).

③ Insert the film tip against the film plane, and pull out the tip from Film Pilot Roller 2.

④ Install Film Winder:

Push down Film Winding Shaft Take-off Button to eject Film Winding Shaft (Down).

Insert Film Winding Shaft Stud into Film Winding Shaft (Down), and keep on the pressure on it after aligning with Film Winding Shaft (Upper), push in Film Winding Shaft (Down), then insert the film tip into Film Winder Sprocket, and make Film Tip Take-up Teeth catching Film Perforation. (Fig.6)

⑤ See Fig.7 for finished status of loading film.

*Attention:

Always keep Film Holder close to the side of Film Frame Mask.

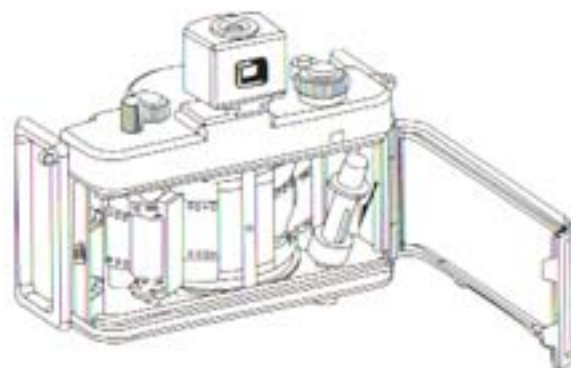


Fig 6

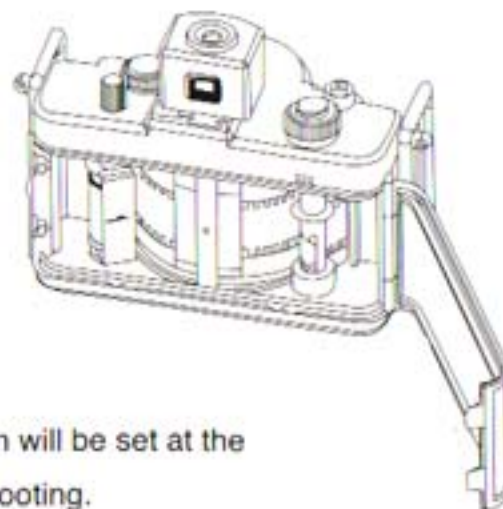


Fig 7

Exposure Counting

1. First Frame:

Keep on winding till Winding Knob can't be moved further. The film will be set at the first frame automatically. The Counter will display "0", then start shooting.

2. After the first frame has been shot, rotate Winding Knob until the second frame is set, the Counter displays "1".

3. Repeat Step (1) and (2) Operations, Shooting the Rest Frame

Retrieving Film

1. After Frame No.10 has been exposed (the Counter displays "9"), pull out Rewinding Release Button on the camera bottom, then Film Winding Shaft (Down) will spring out.
2. Keep the finger pressure on Multi-Exposure Button while cocking Shutter Cocking Arm, then rotate Rewinding Knob clockwise Align the narrow till Exposure Counter shows "S".
3. Open Back Cover.
4. Press down Film Feed-in Shaft Take-off Button to spring out Film Feed-in Shaft (Down), then take out the exposed film.

WIDEPAN / PROII

PANORAMIC CAMERA

中美合资南昌凤凰-潘福莱专业照相机有限公司
NANCHANG PHENIX-PANFLEX TECHNICAL CAMERA CO., LTD