

Copyright

Fujitsu has made every effort to ensure the accuracy and completeness of this document. However, as ongoing development efforts are continually improving the capabilities of our products, we cannot guarantee the accuracy of the contents of this document. We disclaim liability for errors, omissions or future changes.

LifeBook is a trademark of Fujitsu Limited.

Microsoft, Windows, MS, MS-DOS and Windows NT are registered trademarks of the Microsoft Corporation of the United States in the United States and other countries.

Phoenix is a registered trademark of Phoenix Technologies Corporation of the United States.

Copyright© 1981-1999 Microsoft Corporation, All rights reserved.

Copyright© 1999 Phoenix Technologies, Ltd., All rights reserved.

Other product names are trademarks or registered trademarks of their respective companies.

© Copyright 2005 Fujitsu. All rights reserved. No part of this publication may be copied, reproduced or translated, without the prior written consent of Fujitsu. No part of this publication may be stored or transmitted in any electronic form without the written consent of Fujitsu.

This device complies with Part 15 of the FCC rules. Operations are subject to the following two conditions:

- (1) This device may not be allowed to cause harmful interference.
- (2) This device must accept any interference received, including interference that may cause undesired operation.

Website: www.pc-ap.fujitsu.com



DECLARATION OF CONFORMITY
according to FCC Part 15



IMPORTANT SAFETY INSTRUCTIONS

1. Read these instructions carefully. Save these instructions for future reference.
2. Follow all warnings and instructions marked on the product.
3. Unplug this product from the wall outlet before cleaning. Do not use liquid cleaners or aerosol cleaners. Use a damp cloth for cleaning.
4. Do not use this product near water.
5. Do not place this product on an unstable cart, stand or table. The product may fall, causing serious damage to the product.
6. Slots and openings in the cabinet and the back or bottom are provided for ventilation; to ensure reliable operation of the product and to protect it from overheating, these openings must not be blocked or covered. The openings should never be blocked by placing the product on a bed, sofa, rug or other similar surface. This product should never be placed near or over a radiator or heat register or in a built-in installation unless proper ventilation is provided.
7. This product should be operated from the type of power indicated on the marking label. If you are not sure of the type of power available, consult your dealer or local power company.
8. This product is equipped with a 3-wire grounding-type plug, a plug having a third (grounding) pin. This will only plug into a grounding-type power outlet. This is a safety feature. If you are unable to insert the plug into the outlet, contact your electrician to replace your obsolete outlet. Do not defeat the purpose of the grounding-type plug.
9. Do not allow anything to rest on the power cord. Do not locate this product where persons will walk on the cord.
10. If an extension cord is used with this product, make sure that the total ampere rating of the equipment plugged into the extension cord does not exceed the extension cord ampere rating. Also, make sure that the total rating of all products plugged into the wall outlet does not exceed 15 amperes.
11. Never push objects of any kind into this product through cabinet slots as they may touch dangerous voltage points that could result in a fire or electric shock. Never spill liquid of any kind on the product.
12. Do not attempt to service this product yourself, as opening or removing covers may expose you to dangerous voltage points or other risks. Refer all servicing to qualified service personnel.
13. Unplug this product from the wall outlet and refer servicing to qualified service personnel under the following conditions:
 - a. When the power cord or plug is damaged or frayed.
 - b. If liquid has been spilled into the product.
 - c. If the product has been exposed to rain or water.
 - d. If the product does not operate normally when the operating instructions are followed. Adjust only those controls that are covered by the operating instructions since improper adjustment of other controls may result in damage and will often require extensive work by a qualified technician to restore the product to normal condition.
 - e. If the product has been dropped or the cabinet has been damaged.
 - f. If the product exhibits a distinct change in performance, indicating a need for service.

14. **CAUTION: When replacing the battery, be sure to install it with the polarities in the correct position. There is a danger of explosion if the battery is replaced with an incorrect type or is mistreated. Do not recharge, disassemble or dispose of in fire. Replace only with the same or equivalent type recommended by the manufacturer. Dispose of the used battery according to the manufacturer's instructions.**
15. Use only the proper type of power supply cord set (provided in your accessories box) for this unit. It should be a detachable type: UL listed/CSA certified, BS1363, ASTA, SS145 certified, rated 10A 250V minimum, VDE approved or its equivalent. Maximum length is 15 feet (4.6 meters).

 **CAUTION**

- Changes or modification not expressly approved by Fujitsu could void this user's authority to operate the equipment.

FCC NOTICES

Notice to Users of Radios and Television

These limits are designed to provide reasonable protection against harmful interference in a residential installation. This equipment generates, uses, and can radiate radio frequency energy and, if not installed and used in accordance with the instructions, may cause harmful interference to radio communications. However, there is no guarantee that interference will not occur in a particular installation. If this equipment does cause harmful interference to radio or television reception, which can be determined by turning the equipment off and on, the user is encouraged to try to correct the interference by one or more of the following measures:

- Reorient or relocate the receiving antenna.
- Increase the separation between the equipment and receiver.
- Connect the equipment into an outlet that is on a different circuit than the receiver.
- Consult the dealer or an experienced radio/TV technician for help.

Shielded interconnect cables must be employed with this equipment to ensure compliance with the pertinent RF emission limits governing this device.

Notice to Users of the US Telephone Network

Your LifeBook notebook may be supplied with an internal modem which complies with Part 68 of the FCC rules. On this notebook is a label that contains the FCC Registration Number and the Ringer Equivalence Number (REN) for this

equipment among other information. If requested, the user must provide their telephone company with the following information:

1. The telephone number to which the notebook is connected.
2. The Ringer Equivalence Number (REN) for this equipment.
3. That the equipment requires a standard modular jack type USOC RJ-11C which is FCC Part 68 compliant.
4. The FCC Registration Number.

This equipment is designed to be connected to the telephone network or premises wiring using a standard modular jack type USOC RJ-11C which is FCC Part 68 compliant and a line cord between the modem and the telephone network with a minimum of 26AWG.

The REN is used to determine the number of devices that you may connect to your telephone line and still have all of those devices ring when your number is called. Too many devices on one line may result in failure to ring in response to an incoming call. In most, but not all, areas the sum of the RENs of all of the devices should not exceed five (5). To be certain of the number of devices you may connect to your line, as determined by the RENs, contact your local telephone company.

If this equipment causes harm to the telephone network, your telephone company may discontinue your service temporarily. If possible, they will notify you in advance. If advance notice is not practical they will notify you as soon as possible. You will also be advised of your right to file a complaint with the FCC.

This fax modem also complies with fax branding requirements per FCC Part 68.

Your telephone company will probably ask you to disconnect this equipment from the telephone network until the problem is corrected and you are sure that the equipment is not malfunctioning.

This equipment may not be used on coin-operated telephones provided by your telephone company. Connection to party lines is subject to state tariffs. Contact your state's public utility commission, public service commission or corporation commission for more information.

This equipment includes automatic dialing capability. When programming and/or making test calls to emergency numbers:

- Remain on the line and briefly explain to the dispatcher the reason for the call.
- Perform such activities in off-peak hours, such as early morning or late evening.

FCC rules prohibit the use of non-hearing aid compatible telephones in the following locations or applications:

- All public or semipublic coin-operated or credit card telephones.
- Elevators, highways, tunnels (automobile, subway, railroad or pedestrian) where a person with impaired hearing might be isolated in an emergency.
- Places where telephones are specifically installed to alert emergency authorities such as fire, police or medical assistance personnel.
- Hospital rooms, residential health care facilities, convalescent homes and prisons.
- Workstations for the hearing impaired.
- Hotel, motel or apartment lobbies.
- Stores where telephones are used by patrons to order merchandise.
- Public transportation terminals where telephones are used to call taxis or to reserve lodging or rental cars.
- In hotel and motel rooms as at least ten percent of the rooms must contain hearing aid compatible telephones or jacks for plug-in hearing aid compatible telephones which will be provided to hearing impaired customers on request.

DOC (INDUSTRY CANADA) NOTICES

Notice to Users of Radios and Television

This Class B digital apparatus meets all requirements of the Canadian Interference-Causing Equipment Regulations.

Notice to Users of the Canadian Telephone Network

The Canadian Industry Canada label identifies certified equipment. This certification means that the equipment meets certain telecommunications network protective, operational, and safety requirements. The Department does not guarantee the equipment will operate to the user's satisfaction.

LifeBook notebooks are supplied with an internal modem which complies with the Industry Canada certification standards for telecommunication network protection and safety requirements. Before connecting this equipment to a telephone line the user should ensure that it is permissible to connect this equipment to the local telecommunication facilities. The user should be aware that compliance with the certification standards does not prevent service degradation in some situations.

Repairs to telecommunication equipment should be made by a Canadian authorized maintenance facility. Any repairs or alterations not expressly approved by Fujitsu or any equipment failures may give the telecommunication company cause to request the user to disconnect the equipment from the telephone line.

The connecting arrangement code for this equipment is CA11A.

The Load Number assigned to each telephone terminal device denotes the percentage of the total load to be connected to a telephone loop or circuit which is used by the device to prevent overloading. The termination on a loop may consist of any combination of devices such that the total of the load numbers of all devices does not exceed 100.

CAUTION

- For safety, users should ensure that the electrical ground of the power utility, the telephone lines and the metallic water pipes are connected together. Users should NOT attempt to make such connections themselves but should contact the appropriate electric inspection authority or electrician. This may be particularly important in rural areas.

UL Notice

This unit requires an AC adapter to operate. Use only UL Listed Class 2 adapter, output rating 16VDC, 3.75A. Refer to the illustration below for the correct AC Adapter output polarity:



CAUTION

- To reduce the risk of fire, use only #26 AWG or larger telecommunications line cord.

For Authorized Repair Technicians Only

CAUTION

- For continued protection against risk of fire, replace only with the same type and rating fuse.

WARNING

- Danger of explosion if Lithium (CMOS) battery is incorrectly replaced. Replace only with the same or equivalent type recommended by the manufacturer. Dispose of used batteries according to the manufacturer's instruction.

Proper Disposal of Battery

Under federal, state or local law, it may be illegal to dispose of batteries by putting them in the rubbish bin or trash cans. Please take care of our environment and dispose of batteries properly. Check with your local government authority for details regarding recycling or disposing of unwanted batteries.

NOTE ON USE REQUIRED HIGH SAFETY

This product is designed and manufactured for general use, including general office use, personal use, household use and ordinary industrial use.

This product is not designed for or intended for use under dangerous (fatal) conditions, unless extreme safety precautions are implemented.

Do not use this product without implementing high-level safety precautions.

Failure to follow this warning may result in death, personal injury, severe physical damage or other loss, if used in or near any or more of the following:

- nuclear reaction control system in a nuclear facility
- automatic flight control system in an airplane or other flight control system
- mass transport control system
- medical instruments for life support system
- missile launching control for weapon system

NOTE ON BACKUP DATA

Please make a backup of the Operating System, any software programs, and created files (and update regularly).

If you send this product to Fujitsu, or any of its affiliates, suppliers, service providers or resellers for repair, Fujitsu does not guarantee the data integrity. It is your responsibility to back data up beforehand.

Fujitsu does not assume any obligation for compensation for damages, data integrity, or restoration, etc., if your data is lost for any reason, except as written in the warranty.



AUSTRALIAN WARNINGS

WARNING

FOR SAFETY REASONS, ONLY CONNECT EQUIPMENT WITH A TELECOMMUNICATIONS COMPLIANCE LABEL. THIS INCLUDES CUSTOMER EQUIPMENT PREVIOUSLY LABELLED PERMITTED OR CERTIFIED.

Connection of Non Certified/Approved peripherals may result in the equipment operating outside the Australian EMI Standards.

Modems connected to the Australian telecommunications network must be operated in accordance with the Labelling Notice. This modem has been specifically configured to ensure compliance with the ACA Standards. Do not adjust your modem or software outside the values indicated below. To do so would result in your modem being operated in a non-compliant manner.

Call Attempts/Retries:

Applications software shall be configured so that no more than 3 attempts are made to establish a connection to a given number (Note: if the modem can detect service tones, up to 10 attempts can be made). If the call sequence is unsuccessful, there shall be a delay of at least 30 minutes before attempting to call the number again.

Failure to set the modem and any application software used with the modem, to the values shown above will result in the modem being operated in a non-compliant manner. Consequently, this would be in violation of the Labelling Notice for this equipment and the Telecommunications Act 1997 prescribes penalties for the connection of non-compliant equipment.

NEW ZEALAND WARNINGS

The grant of a Telepermit for any item of terminal equipment indicates only that Telecom has accepted that the item complies with minimum conditions for connection to its network. It indicates no endorsement of the product by Telecom, nor does it provide any sort of warranty. Above all, it provides no assurance that any item will work correctly in all respects with another item of Telepermitted equipment of a different make or model, nor does it imply that any product is compatible with all of Telecom's network services.

This equipment is not capable under all operating conditions of correct operation at the higher speeds for which it is designed. 56 KBPS connections are likely to be restricted to lower bit rates when connected to some PSTN implementations. Telecom will accept no responsibility should difficulties arise in such circumstances.

Immediately disconnect this equipment should it become physically damaged, and arrange for its disposal or repair.

This equipment shall not be used in any manner, which could constitute a nuisance to other Telecom customers.

This equipment shall not be set to make automatic calls to the Telecom "111" Emergency Service.

This device is equipped with pulse dialing while the New Zealand standard is DTMF tone dialing. There is no guarantee that Telecom lines will always continue to support pulse dialing. It is strongly recommended that pulse dialing is not used.

Some parameters required for compliance with Telecom's Telepermit requirements are dependent on the equipment (PC) associated with this device. The associated equipment shall be set to operate within the following limits for compliance with Telecom's Specifications:

For repeat calls to the same number.

There shall be no more than 10 call attempts to the same number within any 30 minute period for any single manual call initiation and the equipment shall go on-hook for a period of not less than 30 seconds between the end of one attempt and the beginning of the next attempt.

For Automatic calls to different numbers.

The equipment shall go on-hook for a period of not less than 5 seconds between the end of one attempt and the beginning of the next attempt.

For Automatically answered Incoming Calls.

Incoming calls shall be answered between 3 and 30 seconds from the start of the ringing.

For correct operation, the total of the RNs of all devices connected to a single line at anytime should not exceed 5. The RN of this Equipment is 0.5.

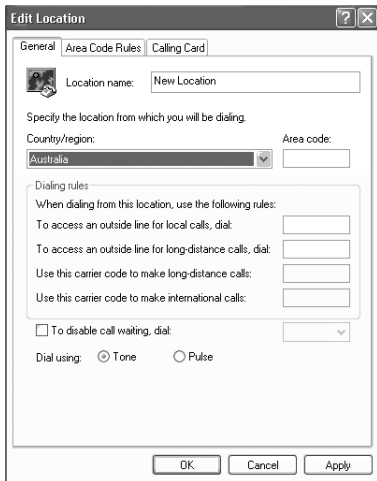
WARNING:

CONNECTION OF NON CERTIFIED/ APPROVED PERIPHERALS MAY RESULT IN THE EQUIPMENT OPERATING OUTSIDE THE NEW ZEALAND EMI STANDARDS.

NOTE: Modem setting in Windows XP

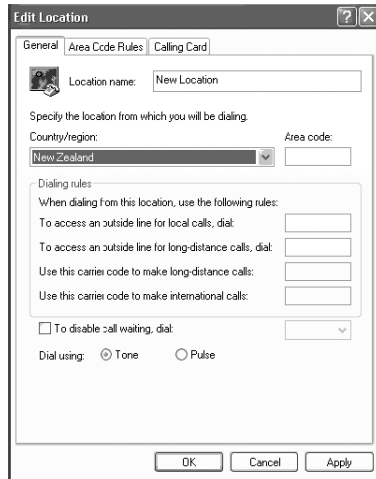
A. If you are located in Australia

1. Click Start select Control panel select "Phone and Modem Options".
2. Double click New Location.
3. Choose "Australia" in Country/region pull down menu bar.
4. Select Phone system as "Tone Dialing".
5. Click OK and Apply.



B. If you are located in New Zealand

1. Click start select Control panel select "Phone and Modem Options".
2. Double click New Location.
3. Choose "New Zealand" in Country/region pull down menu bar.
4. Select Phone system as "Tone Dialing".
5. Click OK and Apply.



NOTE:

The screens and illustrations shown in this examples may slightly vary depending on the operating environment that you have installed.

Table of Contents

NAMES OF THE PARTS AND THEIR FUNCTIONS 1

Front features of the notebook	1
Left/Right features of the notebook	3
Top features of the notebook	5
Bottom features of the notebook	6
Rear features of the notebook	7

OPERATING STATUS INDICATOR LED 8

RUNNING THE NOTEBOOK ON ITS BATTERY 11

Charging the battery	11
Running the notebook on its battery	11
Checking the power level of the battery	12
Low battery condition	13

PORT REPLICATOR 14

Attaching a Port Replicator	15
Detaching a Port Replicator	16

USING FINGERPRINT AUTHENTICATION 17

Characteristics of fingerprint authentication	17
Configuration of registration information	18
Register log-in information on homepages ..	18
Log into homepages using fingerprint authentication	21

Change registration information	22
Save/Read registration information	25
Setup window	28

POWER SOURCES 31

Connecting the Power Adapters	31
Power On	32
Power Off	32

CHANGING THE INTERNAL BATTERY PACK 33

ADDING MEMORY 34

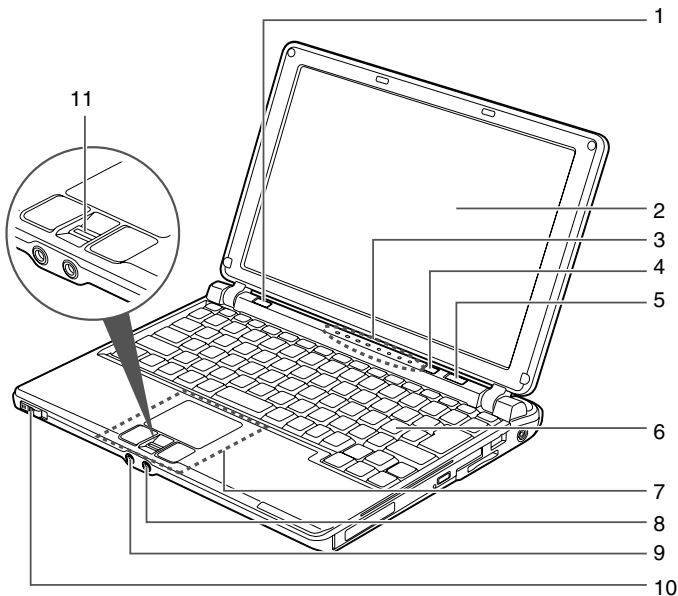
Where to install memory	34
Preparing necessary items	34
Installing memory module	34
Checking the memory capacity	37

TROUBLESHOOTING 38

Identifying the Problem	38
Specific Problems	38
Troubleshooting Table	39

NOTE:

A copy of LifeBook User's Manual is located on your Microsoft Windows Desktop and Software Drivers CD. You can use this LifeBook User's Manual to find out more information about the functions and features of your notebook.



NAMES OF THE PARTS AND THEIR FUNCTIONS

Front features of the notebook

1. Wireless Switch

The switch allows you to turn on and off the Wireless LAN communications. Slide the switch to the right to turn it on, or slide the switch to the left to turn it off. Remember to off this switch where the use of electronic devices is restricted, for example, in hospitals and on airplanes. Turn off this switch if you intend to carry your notebook around. If you set your notebook in standby mode with this switch on, the notebook may resume operation unexpectedly when it is carried around. This may damage the hard disk.

2. LCD Panel

The display screen of the notebook.

POINT

- The phenomena described below are characteristics of LCD panels and do not indicate that LCD panels are defective.

The characteristics of LCD panels

- The TFT color LCD of your notebook, composes of more than 2,350,000 picture elements (number of dots when the screen resolution is set to 1024 by 768 pixels) or more than 2,940,000 picture elements (number of dots when the screen resolution is set to 1280 by 768 pixels), It is manufactured using advanced technologies. For technical reasons, the LCD panel may have pixels that do not light up or pixels that always turn on. These do not indicate a defective LCD.
- LCD panels may display slight varying colors and uneven density as environmental temperature changes.

3. Status Indicator LED

This indicator displays symbols that correspond to specific components on your notebook.

4. ECO Button

The ECO button allows you to switch to the power save mode. If you switch to the power save mode, the power consumption is reduced by using "Power Save" utility. And thus, the time of operation using a battery will be extended. You can switch to the normal mode by pressing this button again.

5. Sus/Res Button

Power on or off the notebook. It also allows you to put the notebook in standby mode without turning off the power to the notebook. Use this button to resume from standby mode.

6. Keyboard

A 82-key keyboard with dedicated Windows keys.

7. Flat Point

It allows you to control the mouse pointer.

8. Microphone Jack

It allows you to connect a commercially available monaural microphone with a Ø3.5 mini plug.

This jack does not support certain types of microphones e.g. dynamic microphone. Please consult a salesperson on the microphone specification before purchasing it.

9. Headphone Jack

• Headphone jack

It allows you to connect commercially available headphones with a Ø3.5 mini plug. This jack is not compatible with certain types of connectors. Please consult a salesperson on the specification of the headphone before purchasing it.

10. PC Card Eject Button

Press this button to eject a PC card.

11. Fingerprint Authentication Sensor/Scroll Button*

The Fingerprint authentication provides a reliable, quick, and user-friendly alternative to password which requires the user to recall and enter cumbersome and often numerous code combinations. The Fingerprint also doubles up as a scroll button when browsing through documents.

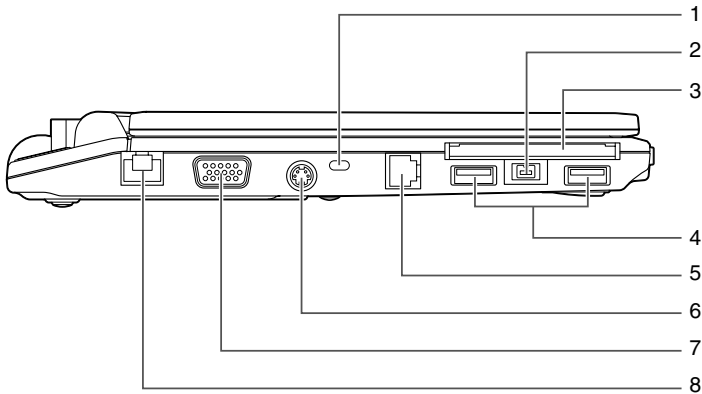
* Scroll Button

For model without Fingerprint Authentication Sensor, this button used to scroll up and down through a document in the window.



POINT

- Some applications may not allow you to scroll up and down through a document, using the scroll button.



Left/Right features of the notebook

■ Left Panel

1. Anti-Theft Lock Slot

It allows you to attach a physical lock down cable or device to prevent theft.

2. IEEE 1394 (DV) Port

It allows you to connect a peripheral device such as digital video camera (DVC) using a DV cable.

3. PC Card Slot

It allows you to insert an optional PC card.

4. USB Port

It allows you to connect an optional peripheral device compliant with USB standard, such as a USB floppy disk drive or USB printer.

5. Modem Port

It allows you to connect your notebook internal modem to a phone line socket using a supplied RJ-11 cable.

6. Video Input (S-Video) Terminal

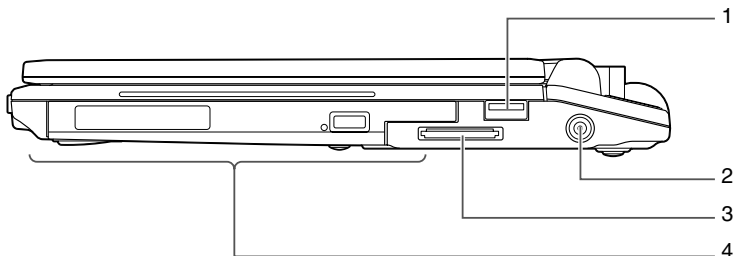
Used to connect to the S-Video output port of external video devices.

7. External Monitor Port

The external monitor port allows you to connect an external display monitor.

8. LAN Port

It allows you to connect your notebook to a LAN (local area network), using an optional LAN cable.



■ Right Panel

1. USB Port

It allows you to connect an optional peripheral device compliant with USB standard, such as a USB floppy disk drive or USB printer.

2. DC-IN Jack

Plug in the supplied AC adapter into this port to power your notebook and charge the battery.

✎ IMPORTANT

- Before plugging a peripheral device into a port on the notebook, orientate the plug or connector of the cable correctly and push it straight into the port.

3. SD Card/xD Card/Memory Stick Slot

It allows you to insert an optional SD Card/xD Card/Memory Stick card and use it as a storage device.

4. Modular Bay

Your notebook has a modular bay installed with a hot-swappable bay device. The installed bay device varies between country configurations. Please check with your local distributor for actual bundling. The bay device is hot-swappable because you can take out or install a bay device without power off or on the notebook. You may change the installed bay device with other device options. These are sold separately.

✎ IMPORTANT

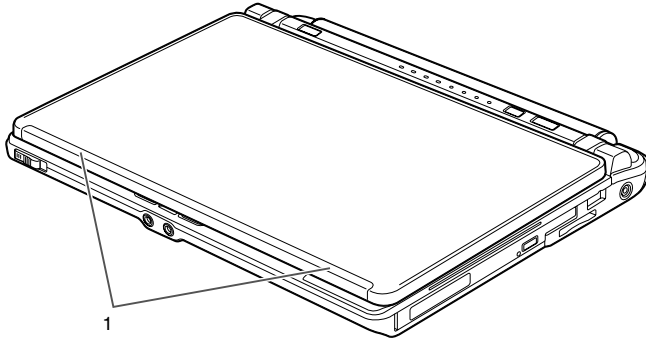
- If this LifeBook comes with an optical drive that can read DVD titles, then this drive is pre-set at factory to read DVD title with region codes for specific Asia Pacific markets (e.g. code 3 for Asian, code 4 for Australia, code 6 for China).

✎ IMPORTANT

- The first time you play a DVD title with a region code different from that of the DVD optical drive - the region code set at factory, you will be prompted to change the region code of the DVD optical drive. The region code of a DVD optical drive can be changed up to 4 times, after which it will be locked so that the DVD optical drive can only play DVD titles of the final region code set."

✎ POINT

- Do not leave your notebook with this bay vacant. This may cause unexpected system failure.



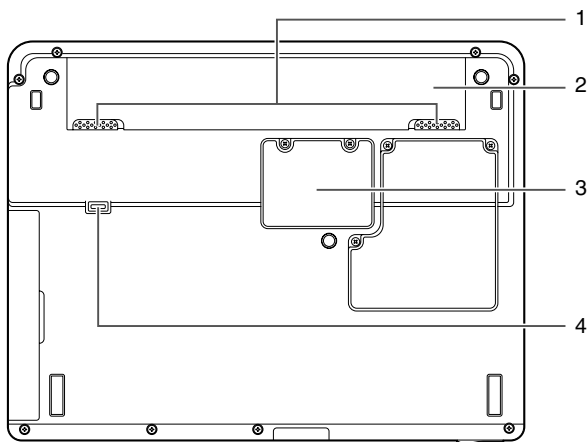
Top features of the notebook

1. Built-In Wireless LAN

The location of the dual Wireless LAN antenna.

NOTE:

This is only applicable for notebooks with Wireless LAN antenna.



Bottom features of the notebook

1. Internal Battery Pack Lock

To remove the internal battery pack lock, slide it.

2. Internal Battery Pack

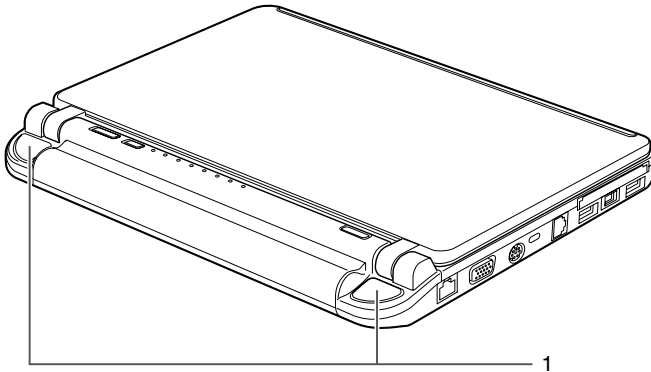
The internal battery pack is installed here.

3. Expansion RAM Module Slot

The location of the expansion memory slot.

4. Modular Bay Lock

To remove the modular bay, slide the lock and pull out the bay drive.



Rear features of the notebook

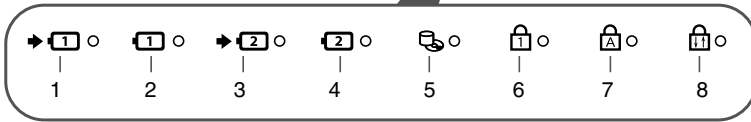
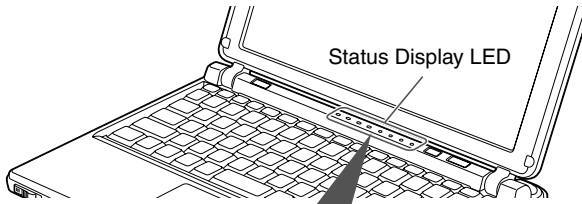
1. Speaker

The speaker produces stereo sound.



POINT

- Be careful not to exert excessive pressure on the speaker grille. Failure to do so may damage it.



OPERATING STATUS INDICATOR LED

POINT

- When the power is turned off, the status display LEDs are all OFF except for during battery charging.

1. Built-in Battery Pack Charging Lamp (➡ 1)

This lamp indicates charging status of built-in battery when AC adaptor is connected to PC.

- Green lamp is lit**
Charging completed or not charging due to no built-in battery pack installed.
- Orange lamp is lit**
Charging
- Orange lamp flashes**
Charging stopped (due to battery temperature alarm, etc. [Note 1])
- OFF**
No charging due to disconnected AC adaptor.

2. Built-in Battery Pack Level Indicator Lamp (1)

This lamp indicates remaining level of the built-in battery pack.

- Green lamp is lit**
Remaining battery level: 100% – 50% [Note 2]
- Orange lamp is lit**
Remaining battery level: 49 – 13% [Note 2]
- Red lamp is lit**
Remaining battery level: 12% or below [Note 2]
- Orange lamp flashes**
Measuring remaining battery level (for 4 seconds after built-in battery pack is installed)
- Red lamp flashes**
Abnormal battery condition.
- OFF**
Built-in battery pack disconnected.

3. Extended Built-in Battery Unit Charging Lamp ()

This lamp indicates charging status of extended built-in battery unit when AC adaptor is connected to PC.

- **Orange lamp is lit**
Charging
- **Orange lamp flashes**
Charging stopped (due to battery temperature alarm, etc. [Note 1])
- **OFF**
No charging due to disconnected AC adaptor.

4. Extended Built-in Battery Unit Level Indicator Lamp ()

This lamp indicates remaining level of the extended built-in battery unit.

- **Green lamp is lit**
Remaining battery level: 100% – 50% [Note 2]
- **Orange lamp is lit**
Remaining battery level: 49 – 13% [Note 2]
- **Red lamp is lit**
Remaining battery level: 12% or below [Note 2]
- **Orange lamp flashes**
Measuring remaining battery level (for 4 seconds after extended built-in battery unit is installed).
- **Red lamp flashes**
Abnormal battery condition.
- **OFF**
Extended built-in battery unit disconnected.

NOTE 1:

Battery temperature alarm is to stop charging with battery protection function when temperature of built-in battery pack or extended built-in battery unit becomes too high or too low due to battery heat or cooling down of the battery.

NOTE 2:

Operational status or battery charging.



POINT

- If built-in battery pack or extended built-in battery unit is installed when the power is off, the battery level lamp flashes in orange then indicates the remaining battery level at the moment for 5 seconds.
If AC adaptor is not connected or the battery is fully charged, the lamp goes off without indicating anything.
- When in standby mode, the battery level LED does not light up but flashes if AC adaptor is not connected or the battery is fully charged. Interval of the flash is repetition of ON for 1 second and OFF for 5 seconds.

5. Hard Disk/CD Access Lamp



This lamp lights up when accessed to built-in hard disk or CD.



POINT

- Data in the hard disk may be damaged if the POWER button is operated while the hard disk/CD access lamp is lit.



6. Numeric Lock Indicator

The Numeric Lock indicator states that the internal keyboard is set in ten-key numeric keypad mode.

7. Caps Lock Indicator

The Caps Lock indicator shows that your keyboard is set to type in all capital letters.

8. Scroll Indicator

The Scroll Lock indicator states that Scroll Lock is active.

RUNNING THE NOTEBOOK ON ITS BATTERY

Charging the battery

1. **Connect the AC adapter to your notebook.**
2. **The charging status indicator lights up.**
It indicates whether the battery pack is being charged.
3. **When the charging status indicator turns green, disconnect the AC adapter from your notebook.**

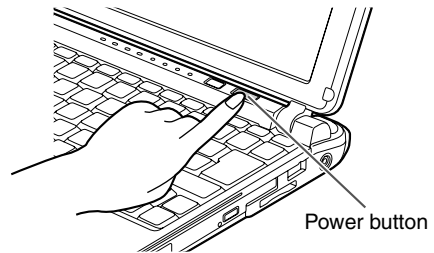
POINT

- Charge the supplied battery pack before using it for the first time after purchase or if it is not recharged for more than one month.
- To fully charge the battery pack, continue charging until the charging status indicator turns green.
- When the battery pack is 90% or more charged, it cannot be recharged even when the AC adapter is connected. The battery pack can be recharged when its power level (or remaining battery life) is 89% or less.
- The chargeability of the battery pack decreases when it is charged in a very hot or cold place.
- The battery temperature rises immediately after the battery operation, and the battery protection function may operate, disabling the battery to be charged. (If this happens, the charging status indicator blinks orange.) When the battery temperature comes down, your notebook automatically restarts to charge the battery pack.

Running the notebook on its battery

To run your notebook on its internal battery pack, perform these steps.

1. **Disconnect the AC adapter from your notebook, and press the power button.**



POINT

- The operating time of the battery pack shortens when it is used in a cold place.
- The chargeability of the battery pack decreases after it has been used over a long period of time, and its operating time shortens accordingly. If the battery runs down quickly, replace it with a new battery.
- A rise in the battery temperature may slow down your notebook. If this happens, connect the AC adapter to your notebook.

Checking the power level of the battery

You can check the power level of the battery by the battery power level show on the taskbar while the power is on or the battery pack is being charged.

POINT

- For reasons of the characteristics of lithium-ion batteries, the power level indicator may not correctly indicate the state of charge of the battery under certain conditions (temperature conditions, number of times the battery has been discharged and recharged, and so on).
- When the battery pack is 90% or more charged, it cannot be recharged even when the AC adapter is connected. The battery pack can be recharged when its power level (or remaining battery life) is 89% or less.

■ Battery temperature alarm (charging status indicator)

If the battery pack becomes very hot or cold, the charging status indicator will blink orange to tell that the battery protection feature has been activated and stopped charging the battery. When the battery pack temperature returns to normal, the charging status indicator stops blinking and turns orange, and your notebook automatically restarts to charge the battery pack.

■ Battery failure alarm (power level indicator)

If the battery pack cannot be charged normally, the power level indicator will blink red.

POINT

- If the power level indicator blinks red, turn off the notebook and remove and reinstall the battery pack correctly. If the power level indicator blinks red even though the battery pack is installed correctly, it is in a defective condition or at the end of its useful life. Replace it with a new one.

Low battery condition

When the battery is discharged to a very low level, the power level show on taskbar will give a warning indicate low battery. If this happens, connect the AC adapter to your notebook immediately to recharge the battery.

POINT

- The use of a low battery may result in the loss of the data you are currently creating or saving. Connect the AC adapter to your notebook as soon as possible. If no AC adapter is available, immediately save the data you are creating, exit all programs and turn off your notebook.
- Reading or writing data on the hard disk requires a large amount of electric power. Therefore, when the battery is low, connect the AC adapter to your notebook before reading or writing data on the hard disk.

POINT

- Leaving the battery low for a specific period of time causes the notebook to automatically go into standby mode. When data is being read or written on the hard disk, however, the notebook does not go into standby mode until the reading or writing of data is complete.
- Your notebook is configured by default to go into standby mode when the power level reaches about 3%.

If you want to change this setting, follow these steps: Open the “Power Options Properties” dialog box, click the “Alarms” tab, and then click the check box for “Low battery alarm when power level reaches” in the “Low battery alarm” section (changes to).

If you change this setting, power supply to your notebook will be cut off when the battery goes dead. As a result, data being saved or created might become lost or your notebook might malfunction.

PORT REPLICATOR

The port replicator is an optional item. It may be bundled in certain country configurations. Please check with your local distributor.

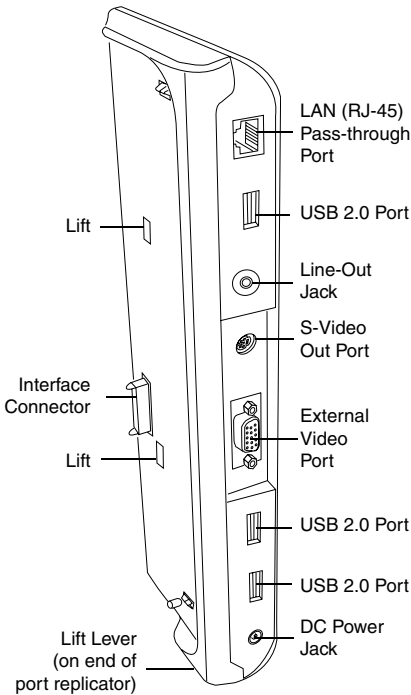


Figure 1. Port Replicator features

LAN (RJ-45) Jack

The LAN port allows you to connect a LAN (RJ-45) cable. Note that when your notebook is connected to the Port Replicator, the LAN port on the system is not accessible; the Port Replicator LAN port is the only one that can be used when it is attached to the system.

USB 2.0 Ports

The three USB 2.0 ports allow you to connect Universal Serial Bus devices.

Line-Out Jack

The line-out jack allows you to connect an external audio device such as an external speaker.

S-Video Out Port

The S-Video out port is used to transmit a high resolution video signal to a compatible TV or VCR.

External Video Port

The external video port allows you to connect an external CRT monitor or projector.

DC Power Jack

The DC power jack allows you to plug in the AC adapter to power your notebook.

Lift Lever/Lifts

The lift lever on the end of the port replicator can be used to raise the lifts in order to push the system up slightly for easier removal.

Note that these lifts do not secure the system to the port replicator, so do not attempt to pick up the system using the port replicator.

Interface Connector

The docking port connects the Port Replicator to your notebook.



Do not hold the system by the port replicator. The port replicator does not attach to the system by any means other than the interface connector.

Attaching a Port Replicator

The Port Replicator can be attached on your notebook while the power is on, while in suspend mode, while in Hibernation, or while the power is off. To attach the Port Replicator, follow these steps:

1. Align the Port Replicator connector on the lower surface of your notebook with the connector on top of the Port Replicator.
2. Push your notebook down to connect it to the Port Replicator securely.

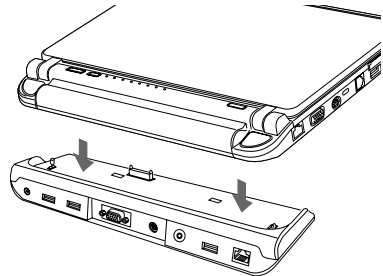


Figure 2. Attaching the Port Replicator

Detaching a Port Replicator

The Port Replicator can be detached from your notebook while the power is on, while in suspend mode, or while the power is off.

To detach the Port Replicator, lift your note-book straight up from the port replicator.

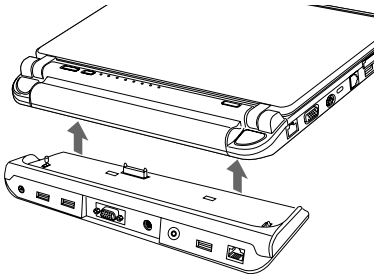


Figure 3. Detaching the Port Replicator

Although it is not necessary, you can also use the lifts to raise the base of the system away from the port replicator in order to facilitate removal of the system.

To use the lifts (*Figure 1*), pull the lift lever located on the end of the port replicator away from the base (*Figure 4*) until the system rises slightly.

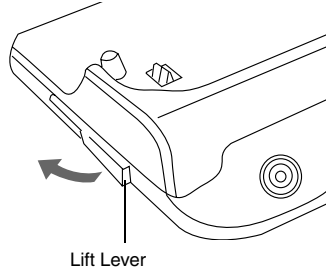


Figure 4. Using the Lifts

USING FINGERPRINT AUTHENTICATION

With fingerprint authentication, you can omit entering a user name and a password by just sliding your finger onto the fingerprint sensor at the time of logging in homepages or logging on Windows. This chapter describes how to use fingerprint authentication.

NOTE:

This is only applicable for LifeBook with Fingerprint Sensor.

To use fingerprint authentication, the user's fingerprints must be registered.

Characteristics of fingerprint authentication

■ Fingerprint authentication can be used in the following case.

• Logging on to Windows

When the user account of Windows is password-protected, only persons who know that password can log on to Windows using that account. However, you have to enter the password each time when you log on to Windows.

With use of fingerprint authentication, you can log on to Windows by only authenticating fingerprints that have previously been registered, thus omitting entering a password.

• Recovery from the power-saving status

If the computer is password-protected for the recovery from power-saving status, you have to enter a password each time when your computer is recovered from the power-saving status.

With use of fingerprint authentication, you can recover from the power-saving status by authenticating fingerprints that have previously been registered, thus omitting entering a password.



It is unnecessary to input a password.

You can log on to Windows or recover from the power-saving status by authenticating the fingerprints that have been registered.

• Canceling password-protected screen saver

You can lock your computer if the screen saver is password-protected. However, you have to cancel this lock when canceling the screen saver.

With use of fingerprint authentication, just authenticating fingerprints that have previously been registered enables this lock to be canceled, thus omitting entering a password.

• Logging into the homepage that requires an ID (user name) and a password

To log into the homepage of which security is set up, you may have to enter log-in information such as an ID (user name) and a password.

With fingerprint authentication, you can log into these homepages by just authenticating fingerprints if log-in information is previously memorized for specific homepages.

Status for entering log-in information differs depending on homepages; direct entering log-in information into homepages, and indication of screens specific to entering. In either case, log-in using fingerprint authentication can be performed.

Configuration of registration information

Registration information is set up in the following configuration.

To use fingerprint authentication, it is necessary to register the user's fingerprint.

■ Registration information on fingerprint authentication (User name and password are just an example.)

• User name

This is the user's name for which a fingerprint has been registered. It is necessary to give the same name as used for logging on to Windows.

• Domain

The full name of the computer is displayed.

• Fingerprint

Fingerprints are registered.

• Password

The user's password for a user whose fingerprint has been registered. It is necessary to use the same password to be used in logging on to Windows.

• Log-in information on homepages

Register an ID (user name) and a password beforehand, so that homepages that require entering an ID (user name) and a password can be viewed just by authenticating fingerprints.

Register log-in information on homepages

To log into homepages of which security is set up, you may have to enter log-in information such as an ID (user name) and a password.

With fingerprint authentication, you can log in these homepages by only sliding your finger onto the fingerprint sensor if log-in information is previously memorized for specific homepages. Register log-in information according to the following procedure.

■ Register log-in information on homepages

1. Display a homepage you want log-in information to be registered.

2. Enter log-in information.

- When directly registering log-in information to homepage.
Do not press the "Sign-in" button, etc.




- When a screen specific for entering log-in information is indicated. Do not press the “OK” button.



- When directly registering log-in information to homepage. Click the area where a user name and a password are entered.




3. Right-click on the OmniPass icon in the notification area in the right corner of the screen, and click on “Memorize password.”

The mouse pointer changes into  .



- When a screen specific for entering log-in information is indicated. Click on the input screen.



4. With the mouse pointer changed to  , click on the area of log-in information entered in Step 2.

The “OmniPass-Remember Password” window will appear.

5. Enter the name of log-in information from the “OmniPass-Friendly Name.



6. Click on “Finish.”

Registration of log-in information is completed. The homepage that has been set here can be logged in by just authenticating the registered fingerprints without entering a user name and a password.

■ Managing log-in information on homepages

Information to be logged in homepages with fingerprint authentication can be managed from the following screen.

1. Click on “Start,” “All programs,” “Softex” and “OmniPass control center” in this order.

The “OmniPass control center” window will appear.

2. Click on “Vault management.”

The “Vault access authentication” window appears.



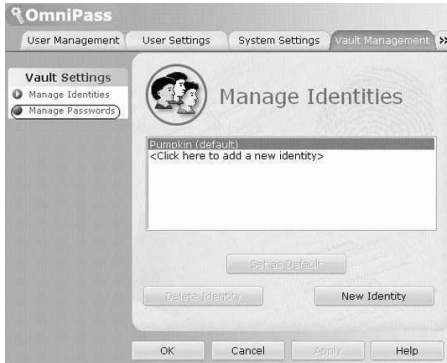
3. Slide any finger of which fingerprints have been registered onto the fingerprint sensor.

When authentication of fingerprints is successful, the “ID management” window will appear.



4. Select the user name, and click on “Manage Passwords.”

The “Password management” window will appear.



5. Log-in information is displayed on the “Dialog protected by password.”

To change log-in information, it is necessary to reregister log-in information. Select the log-in information name you desire to change, and click on “Delete page.” Then, after log-in information has been deleted, reregister the log-in information to be registered.



Log into homepages using fingerprint authentication

With fingerprint authentication, just by sliding your finger onto the fingerprint sensor, you can log into the homepage where security is set.

■ Register log-in information on homepages

1. Display a homepage which log-in information such as an ID (user name) and a password are registered.

The “Access authentication” window will appear.

2. Slide any finger of which fingerprint has been registered onto the fingerprint sensor.

When the authentication of fingerprints is succeeded, log-in to a homepage will be automatically performed.

Change registration information

This chapter describes how to change the information registered for using fingerprint authentication.

IMPORTANT

- After the registration of fingerprint authentication has been completed, do not change the user name that is required for logging on to Windows and the user name that has been set to the registration information of fingerprint authentication.

• Registration information

Registration information includes a user name, a password, a fingerprint, and log-in information on homepages. When registration information is updated, delete all of registration information such as a user name and a password before reregistering it.

However, when adding new fingerprints or adding/deleting log-in information for homepages, it is unnecessary to delete the registered information on fingerprint authentication.

• User name

Do not change a user name.

• Password

When a password for logging on to Windows has been changed, it is necessary that the password that has been set for registration information for fingerprint authentication must be changed to the password same as for Windows after the change. When the password that has been set for the registration information on fingerprint authentication is changed, delete all of registration information on fingerprint authentication before reregistering it.

• Fingerprint

The number of fingerprints to be registered can be added. To delete the fingerprints already registered, it is necessary to delete all of registration information on fingerprint authentication before reregistering it.

• Log-in information for homepages

When log-in information for homepages is changed, before reregistering, it is necessary to delete the log-in information that has been registered. In this case, it is unnecessary to delete registration information on fingerprint authentication.

■ Deletes registration information on fingerprint authentication

1. Click on “Start,” “All programs,” “Softex” and “OmniPass control center” in this order.

The “OmniPass control center” window will appear.

2. Click on “Remove users from OmniPass.”

The “Log-in user authentication” window will appear.



- Slide any finger which fingerprint has been registered onto the fingerprint sensor.

When authentication of fingerprints is succeeded, the “User delete confirmation” window will appear.



- Click on “OK.”

The message “A user has normally been deleted” will be displayed.

Registration information on fingerprint authentication has been deleted.

■ Adding registration information to fingerprint authentication

- Click on “Add new users to OmniPass.”

The “Confirmation of user name and password” window will appear.

When “OmniPass control center” is not displayed, click on the “Start” button -> “All Programs” -> “Softex” -> “OmniPass control center” in this order.



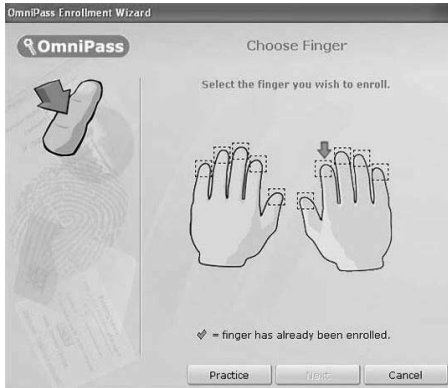
- Enter the same password for logging on to Windows and click on “Next!”

The “Select finger” window will appear. Do not change a user name and domain.



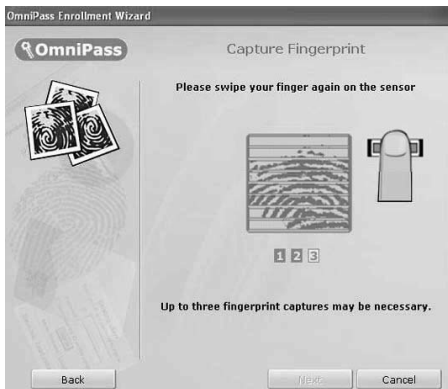
3. Select a finger which fingerprint is registered, and click on “Next.”

The “Fingerprint verification” window will appear.



4. Slide a finger onto the fingerprint sensor to confirm that a fingerprint has been lifted. When “Fingerprint confirmation” is completed, click on “OK.”

Perform “fingerprint verification” three times. After three times of “fingerprint verification” have been “successfull”, slide your finger again onto the fingerprint sensor for “Fingerprint confirmation.”



5. When the message “Recommend to register another finger” is displayed, click on “Yes.”

The “Select finger” window will appear.

6. Perform Steps 3 to 5 again, and register the fingerprints of another finger.

When the “Setting up audio and task bar” window appears, proceed to Step 7.

7. Click on “OK” from the “Setting up audio and task bar” window.

The “OmniPass user account has been created” window appears.

8. Click on “Finish.”

9. When the message “Do you log on for a new user” is displayed, click on “Yes.”

The “OmniPass control center” window appears again.

10. Click on “OK.”

The “OmniPass control center” window will be closed.

Re-registration of fingerprint authentication has been completed.

Save/Read registration information

Information such as user names and passwords, fingerprints and log-in information for homepages that have once been registered can be saved altogether. It is recommended that registration information be saved in case where registration information is mistakenly deleted.

■ Save registration information.

1. Click on “Start,” “All programs,” “Softex” and “OmniPass control center” in this order.

The “OmniPass control center” window will appear.

2. Click on “Import/export of users.”

The “Import/export of users” window will appear.



3. Click on “Export of OmniPass user profile.”

The “Authentication of user export” window will appear.



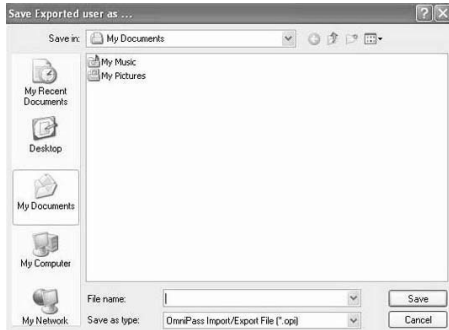
4. Authenticate the fingerprint registered.

When authentication of fingerprints is succeeded, “Save users that have been exported by providing a name” window will appear.



5. Enter the name of the registration information to save, and click on “Save.”

The message “User export has been completed.” will be displayed. Save in the “My document” folder as an example. Any names can be used for the registration information to be saved.



6. Click on “OK” from the message “User export is completed.”



User’s export is completed, and registration information is saved.

■ Read registration information.

POINT

- When no users are registered for fingerprint authentication, the “OmniPass registration wizard” window may appear when starting the computer. When importing registration information, click on “Cancel.”

1. Click on “Start,” “All programs,” “Softex” and “OmniPass control center” in this order.

The “OmniPass control center” window will appear.

2. Click on “Import/export of users.”

The “Import/export of users” window will appear.



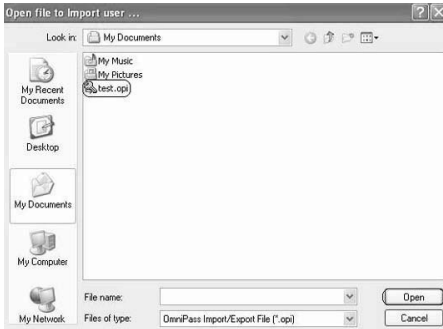
3. Click on “Import new users into OmniPass.”

The “Open files to import users” window will appear.



4. Select the registration information that has been saved and click on “Open.”

The “OmniPass import user” window will appear.



5. Enter a user name, a domain, and a password, then click on “Next.”

The message “User import of OmniPass has been completed” will be displayed. Enter the same user name and password to be used in logging on to Windows.



POINT

- **How to confirm domain**
“Domain” for setting the registration information for fingerprint authentication can be checked by the following procedure.

1. Click on “Start.”
2. Right-click on “My Computer,” and click on “Properties” in the menu to be displayed.
The “System Properties” window will appear.
3. Click on the “Computer Name” tab.
4. A name that has been set to “Full computer name” is “Domain.”

6. Click on “OK.”

7. Restart your computer.

Restarting the computer enables the registration information that has been read (imported) to be effective.

Setup window

Setting for fingerprint authentication can be changed with “OmniPass control center.”

■ How to start “OmniPass control center”

Start “OmniPass control center” in the following procedure.

1. Click on “Start,” “All programs,” “Softex” and “OmniPass control center” in this order.

The “OmniPass control center” starts.

■ User Management

• Adding and deleting users

Users that use fingerprint authentication can be added and deleted.
“Change registration information”

• User import/export

The user information that has already been set can be saved (exported), or the user information that is saved can be read (imported).
“Save/Read registration information”




■ User settings

• Audio

Sound coming from the computer when fingerprint authentication is used is set.

• Display task bar hit

This setting is for messages to be displayed

in  OmniPass icon in the notification area in the bottom-right corner of your desktop when Windows is logged on.

• Registration

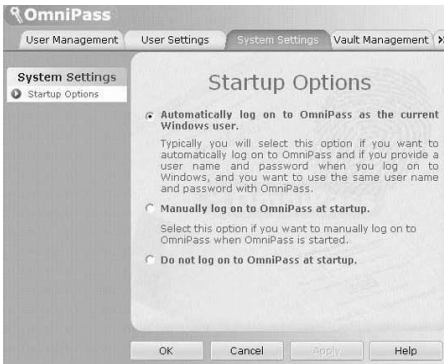
In addition to the fingerprints that have already been registered, new fingerprints can be added and registered.



■ System settings

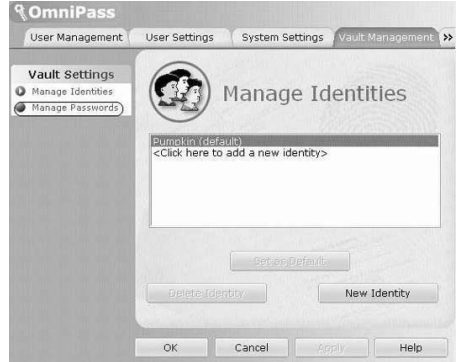
• Starting option

Fingerprint authentication can be used for logging on to Windows or you can terminate its use.



• Password management

The user name and password for logging in to homepages by using fingerprint authentication are managed. To change log-in information, delete log-in information once, then reregister it.



■ Vault management

Manage information for logging into homepages. When this setting screen is displayed, the fingerprints that have already been registered are to be authenticated.

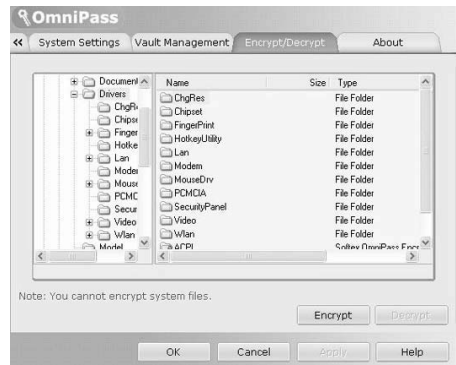
“Register log-in information on homepages”

• ID management

A user ID (user name) to be logged in to homepages is managed.

■ Encrypt and Decrypt

It allows you to encrypt files and entire folders with finger print sensor.



• File & Folder encryption

In order to encrypt a file or folder, click on the folder or file to encrypt, right click on your mouse button, choose “Omnipass Encrypt File(s)”. Omnipass will then perform the encryption on the file selected. To decrypt, click on the file and right click on your mouse button and choose “Omnipass Decrypt File(s)”. Omnipass will decrypt your file for viewing.

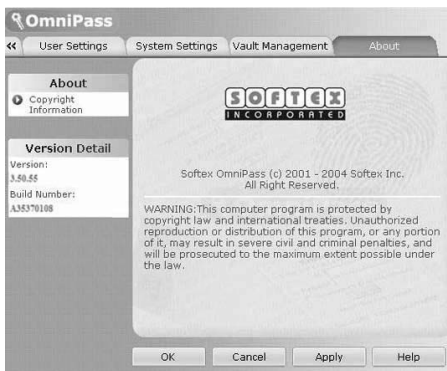


Please take note that certain files and folder in Windows are not possible to encrypt.

Please refer to Omnipass help file in your LifeBook for further information.

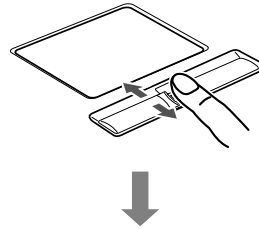
■ Version information

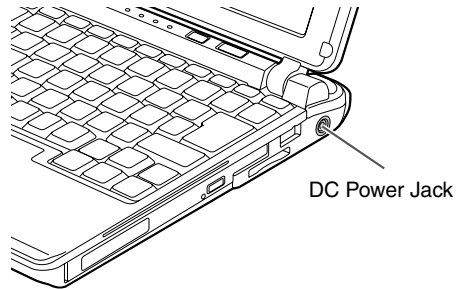
Version information on fingerprint authentication utility is displayed.



■ Scrolling

The Fingerprint sensor now comes with a scrolling function. Taking advantage of the sensor’s technology, users will be able to scroll up and down a document by swiping the finger upwards to scroll up and swipe down to scroll down.





POWER SOURCES

Connecting the Power Adapter

The AC adapter provides power for operating your notebook and charging the batteries.

Connecting the AC Adapter

1. Plug the DC output cable into the DC power jack on your notebook.
2. Plug the AC adapter into an AC electrical outlet.

POINT

The Lithium ion battery is not charged at the point of purchase. Remember to connect the AC adapter to your notebook to charge the battery fully before you use it for the first time.

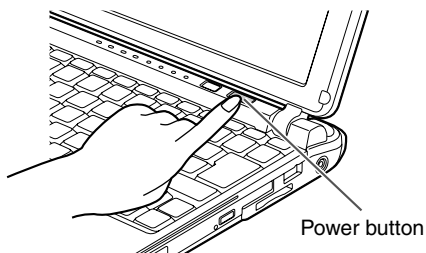
Power On

Suspend/Resume/Power On Button

The Suspend/Resume/Power On button is used to turn on your LifeBook notebook from its off state. Once you have connected your AC adapter or charged the internal Lithium ion Battery, you can power on your notebook.

POINT

When you turn on your LifeBook be sure you have a power source. This means that at least one battery is installed and charged, or that the AC adapter is connected and has power.



Press the Suspend/Resume/Power On button. When you have finished working on the notebook, you can either leave it in Suspend mode, or you can turn it off.

CAUTION

Do not carry your notebook around when it is still power on. Do not subject your notebook to shocks or vibrations. These may damage your notebook.

When you Power On your LifeBook notebook, it will perform a Power On Self Test (POST) to check the internal parts and configuration. If an error is found, your LifeBook notebook will emit an audio warning and/or an error message will be displayed.

After satisfactory completion of the Power On Self Test (POST), your notebook will load the operating system.

Power Off

Power/Suspend/Resume Button

Before turning off the power, check that the Hard Drive, bay drive, PC Card and the Floppy Disk Drive Access indicators are all Off. If you turn off the power while the notebook is accessing the disk or PC card, data may be lost. To shut down the notebook without error, use the Windows shut down procedure.

CAUTION

Remember to close all files, exit all applications, and shut down your operating system prior to turning off the power using the power switch. If documents are open when you turn off the power, you will lose data that have not been saved, and may cause disk errors.

Remember to use the correct procedure to shut down your notebook. The proper sequence is:

1. Click the start menu, and then click turn off notebook button.
2. Click on the Turn Off button within the turn off notebook dialog box.
3. The notebook automatically begins to shut down.

CHANGING THE INTERNAL BATTERY PACK

⚠ WARNING

- Be sure to turn off your notebook before changing the internal battery pack. Do not touch any connectors on the notebook or battery pack. Otherwise, you might get an electric shock or your notebook might break down.

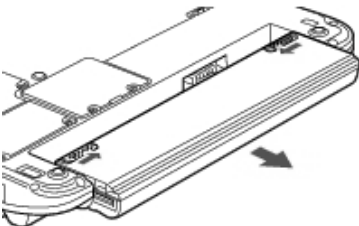
Changing the internal battery pack

1. Turn off your notebook.
2. Close the LCD panel, and place the notebook upside down.

👉 IMPORTANT

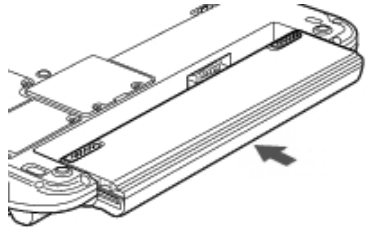
- Close the LCD panel carefully so as not to give an impact to it. Failure to do so could result in damage to the LCD panel.

3. Remove the internal battery pack while pressing the hook forward in the arrow direction until battery pack removed from the connector.



4. Install a new battery pack.

Firmly insert the battery pack until you hear a “Click” sound.



👉 IMPORTANT

- After removing the internal battery pack, take necessary measures to prevent it from shorting, for example, sealing its connector with an insulating tape. After removing the internal battery pack, do not mix it with other types of battery. The internal battery pack (lithium-ion battery) contains precious resources. Therefore, you should dispose of the disused battery pack as a recyclable material if possible.

ADDING MEMORY

Where to install memory

Your notebook has an expansion RAM module slot (slot 2) to add in one additional memory module.

The memory capacity of the notebook can be increased to a maximum of 2 GB (1 GB x 2).

Preparing necessary items

- **Philips screwdriver**
Use a screwdriver of appropriate size to remove the screws on the cover. Failure to do so may damage the head of the screws.

POINT

- Memory Module Configuration Table.
The table below shows combinations of memory that can be installed on your notebook.

The installation of any combination of memory other than the combinations shown below can impair the functioning of your notebook.

Total capacity	Slot 1	Slot 2
256 MB	256 MB	
384 MB	256 MB	128 MB
512 MB	256 MB	256 MB
768 MB	256 MB	512 MB
1 GB	512 MB	512 MB
2 GB	1 GB	1 GB

Installing memory module

To install memory, perform these steps.

WARNING

- Before installing any memory module, remember to power off the notebook and disconnect the AC adapter from it.
- Keep small objects, such as a cover, caps and screws, out of the reach of babies and children. These small objects may suffocate a baby or child if they are swallowed accidentally. Should such an accident happen, consult a doctor immediately.

CAUTION

- Certain components around the memory slots are very hot when the notebook is powered on for a long period of time.
To avoid possible burns, do not install or remove memory module immediately after turning off the notebook but wait for a while until its internal components cool down.
- To install or remove a memory module, hold it by the edge and be careful not to touch any component and IC.
- Memory module is made of materials sensitive to human body static charges. Before handling a memory module, always touch an appropriate metal object to discharge static charges from your body.
- Please remember to turn off the notebook before you begin to install or remove a memory module. If the notebook is placed in standby or hibernate mode while the memory is removed, data may be lost or corrupted. This may also damage the memory module.

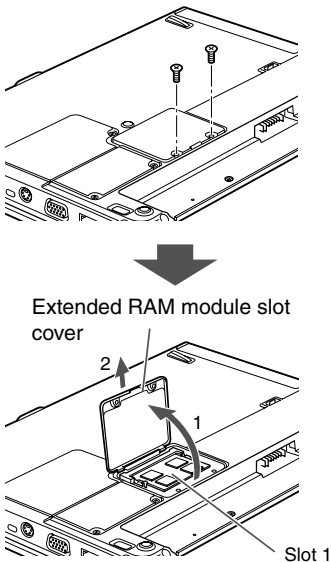
1. Turn off your notebook and disconnect the AC adapter from it.
2. Close the LCD panel, and turn and place your notebook upside down.
3. Remove the internal battery pack.

POINT

- To avoid damage, do not touch internal components unnecessarily.
- To avoid damage, be careful not to drop any small object e.g. a screw into your notebook.

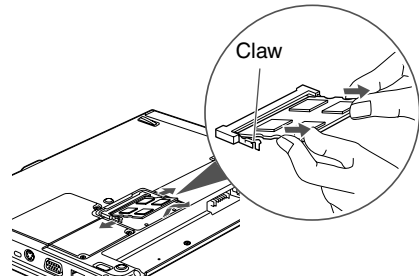
4. Close the LCD panel, and turn and place the notebook upside down.
5. Remove the screws (2 screws) to remove the extended RAM module slot cover.

Open the extended RAM module slot cover in the direction of the arrows to remove it.



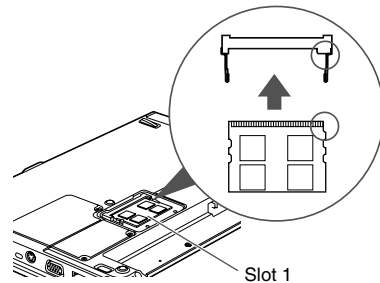
6. Remove the memory.

If the claws on both sides, which are holding the memory, are opened to the sides, the memory can be lifted slightly diagonally upward. Remove the memory from the slot by pulling it diagonally upward.



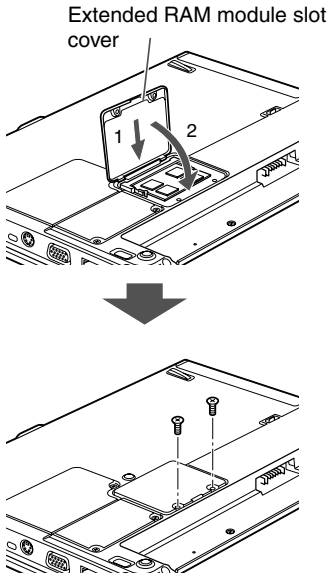
7. Attach the memory

Align the cutouts on the memory with lugs on the connector, then insert the memory from diagonally above and push it down until click sound is heard.



8. Attach the extended RAM module slot cover.

Reattach the cover that was removed in the Procedure 5 or 6.



9. Attach the built-in battery pack.

Procedure 4 of "Replace the built-in battery pack".



POINT

- Reattach the extended built-in battery unit (accessory) if it was removed in the Procedure 3.

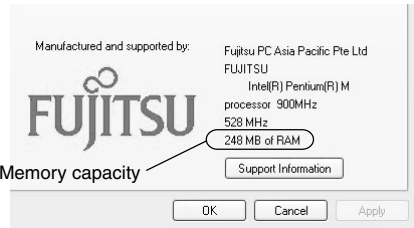
Checking the memory capacity



IMPORTANT

- If the memory is not installed correctly, an error message “Expansion memory error” may be displayed when you turn on the notebook. If such a message appears, turn off the notebook, remove the memory and reinstall it.

1. Turn on the notebook.
2. Click the “Start” button and select “Control Panel”.
The Control Panel window appears.
3. Click “Performance and Maintenance”, and then “System”.
The “System Properties” dialog box appears.
4. Check if the circled numerical value in the figure below has increased by the size of memory you added.



In this example, 256 MB of memory added to a notebook.

- * The system uses 8 MB of memory for internal usage, so that a memory capacity smaller than the actual installed memory capacity is shown in this window.

5. Click “OK”.
The “Performance and Maintenance” window appears again.



POINT

- If the numerical value displayed does not agree with the memory capacity of your notebook, check if the memory is installed correctly.

TROUBLESHOOTING

Your Fujitsu LifeBook notebook is sturdy and subject to few problems in the field. However, you may encounter simple setup or operating problems that you can solve on the spot or problems with peripheral devices, that you can solve by replacing the device. The information in this section helps you isolate and resolve some of these straightforward problems and identify failures that require service.

Identifying the Problem

If you encounter a problem, go through the following procedure before pursuing complex troubleshooting:

1. Turn off your LifeBook notebook.
2. Make sure the AC adapter is plugged into your notebook and to an active AC power source.
3. Make sure that any card installed in the PC Card slot is seated properly. You can also remove the card from the slot, thus eliminating it as a possible cause of failure.
4. Make sure that any devices connected to the external connectors are plugged in properly. You can also disconnect such devices, thus eliminating them as possible causes of failure.
5. Turn on your notebook. Make sure it has been off at least 10 seconds before you turn it back on.
6. Go through the boot sequence.
7. If the problem has not been resolved, refer to the Troubleshooting Table that follows for more detailed troubleshooting information.

POINT

If you keep notes about what you have tried, your support representative may be able to help you more quickly by giving additional suggestions over the phone.

8. If you have tried the solutions suggested in the Troubleshooting Table without success, contact your support representative.

Before you place the call, you should have the following information ready so that the customer support representative can provide you with the fastest possible solution:

- Product name
- Product configuration number
- Product serial number
- Purchase date
- Conditions under which the problem occurred
- Any error messages that have occurred
- Hardware configuration
- Type of device connected, if any

See the Configuration Label on the bottom of your notebook for configuration and serial numbers.

Specific Problems

Using the Troubleshooting Table

When you have problems with your LifeBook notebook, try to find the symptoms under the Problem column of the troubleshooting table. You will find a description of common causes for that symptom under the column Possible Cause. Follow the instructions on the Possible Solution column to resolve the problem. All possible causes or solutions may not apply to your notebook.

Troubleshooting Table

Problem	Possible Cause	Possible Solution
Audio Problem		
There is no sound coming from the built-in speakers	The software volume control is set too low.	Adjust the sound volume control settings in your software, operating system and applications.
	Headphones are plugged into your notebook.	Plugging in headphones disables the built-in speakers, remove the headphones.
	BIOS audio settings are incorrect.	Set the BIOS setup utility to the default values within the Multimedia Device Configuration menu.
	Software driver is not configured correctly.	Refer to your application and operating system documentation for help.
	The speakers have been muted using the Volume icon in the system tray.	Click on the Volume icon in the tool tray on the bottom right of the screen. (It looks like a speaker.) If the Mute box is checked, click on it to uncheck it.
Optical Drive Problems		
LifeBook notebook fails to recognize DVD/CD-RW/ CD-ROM's.	Protective sheet is still in the optical drive tray.	Remove the protective sheet and replace DVD/CD-RW/CD-ROM in the tray.
	DVD/CD-RW/CD-ROM is not pushed down onto raised center circle of the drive.	Open media tray and re-install DVD/CD-RW/ CD-ROM properly.
	Media tray is not latched shut.	Push on the front of the media tray until it latches.
	Incorrect DVD Player or no DVD Player software is installed.	Install DVD Player software.
	Wrong drive designator was used for DVD/CD-RW/CD-ROM in the application.	Verify the drive designator used by the application is the same as the one used by the operating system. When the operating system is booted from a DVD/CD, drive designations are automatically adjusted.



Problem	Possible Cause	Possible Solution
Optical Drive Problems		
LifeBook notebook fails to recognize DVD/CD-RW/ CD-ROM's.	Windows DVD/CD-RW/ CD-ROM auto insertion function is disabled.	Start the DVD/CD-RW/CD-ROM from the desktop or application software or re-enable the Windows DVD/CD-RW/CD-ROM auto insertion function.
(continued)	DVD/CD-RW/CD-ROM is dirty or defective.	Wipe DVD/CD-RW/CD-ROM with a non-abrasive CD cleaning cloth and reinsert. If it still will not work try another DVD/CD-RW/CD-ROM in the drive.
The DVD/CD-RW/ CD-ROM Access indicator on the Status Indicator Panel blinks at regular intervals when no DVD/CD-RW/CD-ROM is in the tray or the optical drive is not installed.	The Windows DVD/CD-RW/CD-ROM auto insertion function is active and is checking to see if a DVD/CD-RW/CD-ROM is ready to run.	This is normal. However, you may disable this feature.

Problem	Possible Cause	Possible Solution
Hard Drive Problems		
You cannot access your hard drive.		Revise BIOS settings to set both Primary Master and Primary Slave correctly.
	The wrong drive designator was used by an application when a bootable CD-ROM was used to start the notebook.	Verify drive designator used by application is in use by the operating system. When the operating system is booted from a CD, drive designations are automatically adjusted.
	Security is set so your operating system cannot be started without a password.	Verify your password and security settings.
Keyboard or Mouse Problems		
The built-in keyboard does not seem to work.	The notebook has gone into Suspend mode.	Push the Power/Suspend/Resume button.
	Your application has locked out your keyboard.	Try to use your integrated pointing device to restart your system.
You have installed an external keyboard or mouse, and it does not seem to work.	Your external device is not properly installed.	Re-install your device.
	Your operating system software is not set up with the correct software driver for that device.	Check your device and operating system documentation and activate the proper driver.
You have connected an external keyboard or a mouse and it seems to be locking up the system.	Your operating system software is not set up with the correct software driver for that device.	Check your device and operating system documentation and activate the proper driver.
	Your system has crashed.	Try to restart your notebook.



Problem	Possible Cause	Possible Solution
Memory Problems		
Your Info menu of the BIOS setup utility does not show the correct amount of installed memory.	Your memory upgrade module is not properly installed.	Remove and re-install your memory upgrade module.
	You have a memory failure.	Check for Power On Self Test (POST) messages.
Modem Problems		
Messages about modem operation.	Messages about modem operation are generated by whichever modem application is in use.	See your application software documentation for additional information.

Problem	Possible Cause	Possible Solution
PC Card Problems		
A card inserted in the PC Card slot does not work or is locking up the system.	The card is not properly installed.	Remove and re-install the card.
	The card may have been installed while an application was running, so your notebook is not aware of its installation.	Close the application and restart your notebook.
	Your software may not have the correct software driver active.	See your software documentation and activate the correct driver.
	You may have the wrong I/O address selected for the activated PC Card.	See your PC Card documentation to determine the required I/O address. Change the settings in the BIOS.
	Your PC Card device and another device are assigned the same I/O address.	Check all I/O addresses located within the BIOS setup utility and any other installed hardware or software to make sure there are no duplications.
Power Failures		
You turn on your LifeBook notebook and nothing seems to happen.	The installed primary battery is completely discharged, there is no optional second battery installed or there is no Power adapter (AC adapter) installed.	Check the Status Indicator Panel to determine the presence and condition of the batteries. Install a charged battery or a power adapter.
	The primary battery is installed but is faulty.	Use the Status Indicator Panel to verify the presence and condition of the batteries. If a battery is indicating a short, remove that battery and operate from another power source or replace that battery.
	The battery or batteries are low.	Check the Status Indicator Panel to determine the presence and condition of the batteries. Use a power adapter to operate until a battery is charged or install a charged battery.
	The power adapter (AC adapter) is not plugged in properly.	Verify that your adapter is connected correctly.

Problem	Possible Cause	Possible Solution
Power Failures		
<p>You turn on your LifeBook notebook and nothing seems to happen.</p> <p>(continued)</p>	<p>The power adapter (AC adapter) has no power from the AC outlet.</p>	<p>Move the AC cord to a different outlet, check for a line switch or tripped circuit breaker for the AC outlet.</p>
	<p>The power adapter (AC adapter) is faulty.</p>	<p>Try a different power adapter or install a charged optional second battery.</p>
<p>Your LifeBook notebook turns off all by itself.</p>	<p>The power management parameters are set for auto timeouts which are too short for your operating needs.</p>	<p>Press any button on the keyboard, or move the mouse to restore operation. If that fails, push the Power/Suspend/Resume button. Check your power management settings, or close your applications and go to the Power Options menu to adjust the timeout values to better suit your needs.</p>
	<p>You are operating on battery power only and have ignored a low battery alarm until the batteries are all power drained empty and your machine has gone into Dead Battery Suspend mode.</p>	<p>Install a power adapter or a charged battery and then push the Power/Suspend/Resume button.</p>
	<p>You have a battery failure.</p>	<p>Verify the condition of the batteries using the Status Indicator Panel, and replace or remove battery that is shorted.</p>
	<p>Your power adapter has failed or lost its power source.</p>	<p>Make sure the adapter is plugged in and the outlet has power.</p>
<p>Your LifeBook notebook will not work on battery alone.</p>	<p>The installed batteries are dead.</p>	<p>Replace the battery with a charged one or install a power adapter.</p>
	<p>No battery is installed.</p>	<p>Install a charged battery.</p>
	<p>The batteries are improperly installed.</p>	<p>Verify that the batteries are properly connected by removing and re-installing them.</p>
	<p>Your installed batteries are faulty.</p>	<p>Verify the condition of the batteries using the Status Indicator panel and replace or remove batteries that are shorted.</p>

Problem	Possible Cause	Possible Solution
Power Failures		
The batteries seem to discharge too quickly.	You are running an application that uses a great deal of power due to frequent hard drive access or DVD/CD-ROM access, use of a modem card or a LAN PC card.	Use both the primary battery and an optional second battery and/or use a power adapter for this application if possible.
	The power savings features may be disabled.	Check the power management and/or setup utility settings in the Power Options menu and adjust according to your operating needs.
	The brightness is turned all the way up.	Turn down the brightness adjustment. The higher the brightness the more power your display uses.
	The batteries are very old.	Replace the batteries.
	The batteries have been exposed to high temperatures.	Replace the batteries.
	The batteries are too hot or too cold.	Restore the notebook to normal operating temperature. The Charging icon on the Status Indicator Panel will flash when the battery is outside its operating range.

Problem	Possible Cause	Possible Solution
Shutdown and Startup Problems		
The Power Suspend/Resume button does not work.	The Power/Suspend/Resume button is disabled from the Advanced submenu of the Power Options menu.	Enable the button from the setup utility.
	You did not hold the button long enough to activate this feature.	Hold the button longer. This may require a few seconds if your application is preventing the CPU from checking for button pushes.
	There may be a conflict with the application software.	Close all applications and try the button again.
The system powers up and displays power-on information, but fails to load the operating system.	The boot sequence settings of the setup utility are not compatible with your configuration.	Set the operating source by pressing the [ESC] key while the Fujitsu logo is displayed on screen or use the [F2] key and enter the setup utility and adjust the source settings from the Boot menu.
	You have a secured system requiring a password to load your operating system.	Make sure you have the right password. Enter the setup utility and verify the Security settings and modify them as accordingly.
	Internal hard drive was not detected.	Use the BIOS setup utility or Primary Master submenu, located within the Main menu, to try to auto detect the internal hard drive.
An error message is displayed on the screen during the boot sequence.	Power On Self Test (POST) has detected a problem.	See the Power On Self Test (POST) messages to determine the meaning and severity of the problem. Not all messages are errors; some are simply status indicators.

Problem	Possible Cause	Possible Solution
Shutdown and Startup Problems		
Your notebook appears to change setup parameters when you start it.	BIOS setup changes were not saved when you made them and exited the BIOS setup utility.	Make sure you select Save Changes And Exit when exiting the BIOS setup utility.
	The BIOS CMOS hold-up battery has failed.	Contact your support representative for repairs. This is not a user serviceable part. The part has a normal life span of 3 to 5 years.
Your system display will not turn on when the system is powered on or when the system has resumed.	The system may be password protected.	Check the status indicator panel to verify that the Security icon is blinking. If it is blinking, enter your password.
Video Problems		
The built-in display is blank when you turn on your LifeBook notebook.	The notebook is set for an external monitor only.	Pressing [F10] while holding down the [Fn] key allows you to change your selection of where to send your display video. Each time you press the combination of keys you will step to the next choice. The choices, in order, are: built-in display only, external monitor only, both built-in display and external monitor.
	The angle and brightness of the display are not properly set at your lighting conditions.	Move the display and the brightness control until you have adequate visibility.

Problem	Possible Cause	Possible Solution
Video Problems		
The LifeBook notebook turned on with a series of beeps and your built-in display is blank.	Power On Self Test (POST) has detected a failure which does not allow the display to operate.	Contact your support representative.
The display goes blank by itself after you have been using it for a period of time.	The notebook has gone into Video timeout, Standby mode, Suspend mode or Save-to-Disk mode because you have not used it for a period of time.	Press any button on the keyboard, or move the mouse to restore operation. If that fails, push the Power/Suspend/Resume button. Check your power management settings, or close your applications and go to the Power Savings menu of the setup utility to adjust the timeout values to better suit your operation needs.
Your system display won't turn on when the system is turned on or when the system has resumed.	The system may be password protected.	Check the Status Indicator Panel to verify that the Security icon is blinking. If it is blinking, enter your password.
The built-in display does not close.	A foreign object, such as a paper clip, is stuck between the display and the keyboard.	Remove all foreign objects from the keyboard.
The built-in display has bright or dark spots.	If the spots are very tiny and few in number, this is normal for a large LED display.	This is normal; do nothing.
	If the spots are numerous or large enough to interfere with your operation needs.	Display is faulty; contact your support representative.

Problem	Possible Cause	Possible Solution
Video Problems		
The application display uses only a portion of your screen and is surrounded by a dark frame.	You are running an application that does not support 800 x 600/1024 x 768 pixel resolution full screen display	You can fill the full screen at lower resolution by changing the display compensation setting in the BIOS. (See the Video Features submenu, located within the Advanced menu of the BIOS.) Enabled video compensation and press [Fn] + [F5] to maximized the screen to full screen display at lower resolution 800x600 pixels.
The display is dark when on battery power.	The Power Management utility is set to low brightness to conserve power.	Press [Fn] + [F7] to increase brightness or double-click on the battery gauge and adjust Power Control under battery settings.
You have connected an external monitor and it does not display any information.	Your BIOS setup is not set to enable your external monitor.	Try toggling the video destination by pressing [Fn] and [F10] together, or check your BIOS setup and enable your external monitor. (See the Video Features submenu, located within the Advanced Menu of the BIOS.)
	Your external monitor is not properly installed.	Reinstall your device.
	Your operating system software is not set up with the correct software driver for that device.	Check your device and operating system documentation and activate the proper driver.
You have connected an external monitor and it does not come on.	Your external monitor is not compatible with your LifeBook notebook.	See your monitor documentation and the External Monitor Support portions of the Specifications section.
Miscellaneous Problems		
An error message is displayed on the screen during the operation of an application.	Application software often has its own set of error message displays.	See your application manual and help displays screens for more information. Not all messages are error messages, some may simply be status indicators.

版权

富士通公司会尽力保证本文档内容的准确性和完整性。但是，由于我们仍在不断改进产品的功能，因此不能确保本文档没有任何差错。对于文档中错误、疏忽或以后的修改我们不承担任何责任。

LifeBook 是富士通有限公司的商标。

Microsoft、Windows、MS、MS-DOS 和 Windows NT 是 Microsoft Corporation 在美国和其它国家或地区的注册商标。

Phoenix 是美国 Phoenix Technologies Corporation 的注册商标。

版权所有© 1981-1999 Microsoft Corporation，保留所有权利。

版权所有© 1999 Phoenix Technologies, Ltd., 保留所有权利。

其它所有产品是其各自公司的商标或注册商标。

©版权所有 2005 Fujitsu，保留所有权利。未经富士通公司事先书面同意，严禁拷贝、复制或翻译本出版物中的任何内容。未经富士通公司书面同意，严禁以任何电子形式存储或传输本出版物中的任何内容。

本设备遵循 FCC 规则的第 15 部分。操作使用应符合以下两项条件：

- (1) 本设备不能造成有害干扰。
- (2) 本设备必须能承受接收到的干扰，包括会造成意外操作的干扰。

网站：www.pc-ap.fujitsu.com



一致性声明

根据 FCC 第 15 部分内容

重要安全说明

1. 请仔细阅读这些说明，并保存起来以备以后参考。
2. 遵循本产品上标示的所有警告和指示。
3. 清洁之前先从墙上插座上拔下本产品的电源线。切勿使用液体或喷雾清洁剂。使用湿布进行清洁。
4. 不要在靠近水的地方使用本产品。
5. 不要将本产品放在不稳定的车辆、支架或桌子上。以免产品跌落，造成严重损坏。
6. 机壳上、背部和底部的槽口用于通风目的。为确保本产品的可靠运行，不至于出现过热高温，严禁堵塞和盖住这些槽口。严禁将本产品放在床、沙发、地毯或其它类似表面上，从而造成这些槽口的堵塞。切勿将本产品靠近散热器或电热器，或放在它们的上面，也不要将本产品放在箱内，除非通风条件良好。
7. 只能按照标签上注明的电源类型使用本产品。如果您不确定可用的电源类型，请咨询经销商或当地的电力公司。
8. 本产品配备有一个符合本地标准的插头。如果您面对问题，请和电工联系检查插座。
9. 不要将任何物品压在电源线上。本产品的电源线不应位于人们经常出入的地方。
10. 如果使用本产品需要延长电线，一定要确保接入延长电线上设备的额定安培总数不超过延长线的额定安培数。也要确保接入墙上插座上所有产品的总额定值不会超过 15 安培。
11. 严禁将任何物品通过机壳的槽口插入到本产品，这样可能会碰到高压部件，造成火灾或电击。切勿将任何液体洒到本产品上。
12. 不要尝试自行维修本产品，打开或卸下护盖可能会使您遭到电击，或其它危险。请务必请专业的维修人员进行维修。
13. 如果出现以下情况，应从墙上插座拔下本产品的电源线，请专业的维修人员进行维修：
 - a. 电源线或插头损坏或磨损。
 - b. 产品内溅入了液体。
 - c. 产品遭到雨淋或进水。
 - d. 正常操作情况下，产品运行不正常。只调整操作说明中介绍过的那些控制，因为不正确地调整其它控制可能会造成损坏，通常需要合格的技术人员花费更大的精力维修产品。
 - e. 产品跌落，或机壳损坏。
 - f. 产品性能出现明显变化，需要进行维修。

-
14. 注意。更换电池时一定要确保电池装入的极性位置正确。更换的电池类型不正确或处理不当，会有爆炸的危险。切勿对电池充电、拆解或投入火中。只应使用制造商建议的相同或同类电池更换。并按照制造商的说明处理用过的电池。
 15. 只使用专供本装置使用的正确类型的电源线组（附件箱中提供）。它应是可分开的类型：UL 认证 / CSA 认证，BS1363、ASTA、SS145 认证，额定 10A 250V 最小，VDE 认证或等同。最大长度为 15 英尺（4.6 米）。

UL 声明

该装置需要交流适配器才能使用。并且只能使用获得 UL 认证，额定输出为 16VDC，3.75A 的 2 类适配器。请参考以下示意图以了解正确的交流适配器输出极性。



正确处理电池

在联邦、国家或地区法律中，将电池扔进垃圾箱或垃圾桶的处理方法是非法的。请保护我们的环境，并正确处理电池。关于回收或处理不想要的电池，请与当地政府权力机关协商。

注意

- 为降低火灾危险，只应使用 #26 号 AWG 或更大的通信电话线。

授权修理技术人员须知

注意

- 为防止火灾的发生，只应使用相同类型和额定值的保险丝进行更换。

警告

- 如果锂（CMOS）电池更换不当，会有爆炸的危险。只应使用相同的或制造商建议的同类电池进行更换。按照制造商的说明处理用过的电池。

在要求高安全性的场合使用时的注意事项

本产品系为一般应用领域设计和制造，包括一般办公使用、个人使用、家庭使用和普通行业使用。

本产品不适合也不建议用于危险（致命）情况下，除非具有极高的安全保障。

请勿在没有采取高度安全措施的情况下使用本产品。

如果在以下任一种或任几种环境中或附近使用本产品，请遵守本警告，否则可能导致死亡、人身伤害、严重物理损坏或其他损失：

- 核能设施中的核反应控制系统
- 飞机或其他飞行控制系统中的自动飞行控制系统
- 大型运输控制系统
- 用于生命维持系统的医疗仪器
- 用于武器系统的导弹发射控制

备份数据的注意事项

请将操作系统、所有软件程序以及生成的文件进行备份（并定期更新）。

如果您将本产品送往富士通或其任何其附属机构、供应商、服务提供商或零售商进行维修，富士通等对数据的完整性不作保证。事先对数据进行备份是您的责任。

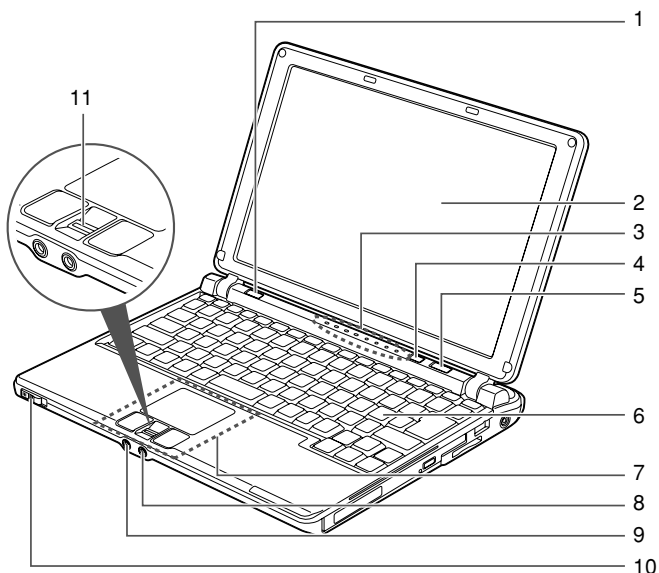
如果您的数据由于任何原因而丢失，除非质保卡上写出，否则富士通对于损坏、数据完整性或恢复等不承担任何赔偿义务。

目录

部件名称及其功能	1	更改注册信息	22
笔记本电脑前面功能配置	1	储存 / 读取注册信息	25
笔记本电脑左面 / 右面功能配置	3	设定视窗	28
笔记本电脑的顶部特征	5	电源	31
笔记本电脑的底部特征	6	连接电源适配器	31
笔记本电脑的背面	7	开机	32
操作状态指示灯	8	关机	32
靠电池运行笔记本电脑	11	更换内部电池组	33
电池充电	11	增加内存	34
靠电池运行笔记本电脑	11	何处安装内存	34
检查电池的电量	12	准备工作	34
电池电量不足状态	13	安装内存模块	34
端口替代物	14	检查内存容量	37
连接端口替代物	15	疑难解答	38
分离端口替代物	16	识别问题	38
使用指纹验证	17	具体问题	38
指纹验证的特点	17	疑难解答表	39
设置注册信息	18		
在首页上注册登录信息	19		
使用指纹验证登录到首页	21		

注：

LifeBook 用户说明书位于微软 Windows 桌面和软件驱动程序光盘上。您可以使用此 LifeBook 用户说明书找到您的笔记本电脑的各种功能和特点的更详细信息。



部件名称及其功能

笔记本电脑前面功能配置

1. 无线开关

用来打开和关闭无线 LAN 通讯。
将开关拨到右边可以打开它，拨到左边可以关闭它。

在限制使用电子设备的场所，如医院和机场，请关闭这个开关。在携带笔记本电脑时您也应关闭这个无线开关。

当笔记本电脑处于待机模式，可以随时恢复操作时，使这个开关保持在打开状态可能会造成携带过程中笔记本电脑意外恢复操作，并可能会造成硬盘驱动器故障。

2. LCD面板

笔记本电脑的显示屏幕。

要点

- 下述现象是 LCD 面板的特点，并不表示 LCD 有缺陷。

关于 LCD 面板的特点

- 笔记本电脑的 TFT 彩色 LCD 由 2,350,000 多个图形元素（屏幕分辨率被设置为 1024 x 768 像素时的点数）或 2,940,000 多个图形元素（屏幕分辨率被设置为 1280 x 768 像素时的点数）组成，采用高科技制造。由于技术原因，您的 LCD 面板可能有一些像素不亮或有些像素一直亮，但这并不表示 LCD 面板有故障。
- 如果环境温度有所变化，则 LCD 面板将显示轻微的色彩变化和均匀的密度。

3. 状态指示 LED

此指示显示与笔记本电脑特定部分相关的符号。

4. 省电按钮

省电按钮用于切换到省电模式。如果切换到省电模式，则将使用“省电”公程式降低电量消耗。因而，使用电池进行操作的时间将会延长。您可以再按一次此按钮重新切换到普通模式。

5. 暂停 / 恢复按钮

用来打开和关闭笔记本电脑。此按钮也可以让您在不关闭笔记本电脑的情况下使机器进入待机模式。从待机模式恢复也使用此按钮。

6. 键盘

有专用 Windows 键的 82 键键盘。

7. 滑动鼠标面板

用来操作鼠标指针。

8. 麦克风插孔

用来连接可以从市场上买到的 3.5mm 迷你型插头单声道麦克风。这种插孔不支持某些类型的麦克风（如动感麦克风），因此在购买麦克风之前应咨询销售人员。

9. 耳机插孔

用来连接可以从市场上买到的 3.5mm 迷你型插头耳机。这种插孔与有些类型的电缆接口不兼容，因此在购买耳机之前应咨询销售人员。

10. PC 卡弹出按钮

按这个按钮可以弹出 PC 卡。

11. 指纹验证感应器 / 滚动按钮*

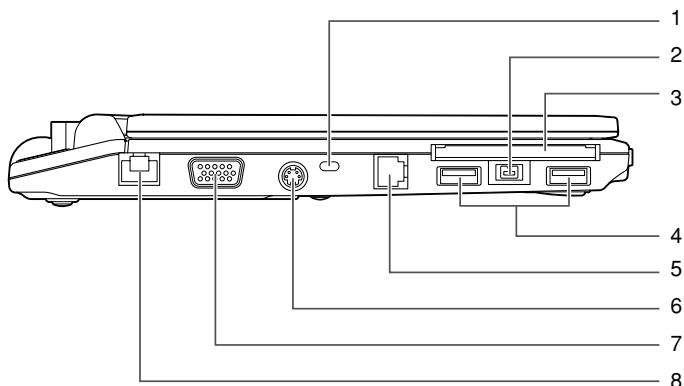
指纹验证提供了一种可靠、快速、用户界面友好的用于代替密码的方法，而这些密码需要用户调用并输入繁琐且时常是大量的代码组合。当浏览文件时指纹也可当成是滚动按钮。

* 滚动按钮

用于不带指纹验证感应器的机型，此按钮用于窗口内文件的上下滚动。

要点

- 有些应用程序可能不允许您使用滚动按钮上下滚动文件。



笔记本电脑左面 / 右面功能配置

■ 左面板

1. 防盗锁

可使您安装锁链或其他器具以防止盗窃。

2. IEEE 1394 (DV) 端口

用来通过 DV 电缆将外设，如数码摄像机 (DVC) 连接到笔记本电脑。

3. PC 卡插槽

用来插入可选的 PC 卡。

4. USB 端口

用来连接兼容 USB 标准的外设选件，如 USB 软盘驱动器和 USB 打印机。

5. 调制解调器端口

可使您用随机提供的 RJ11 电缆将笔记本电脑的内置调制解调器连接至电话线路插口。

6. 视讯输入 (S-Video) 端子

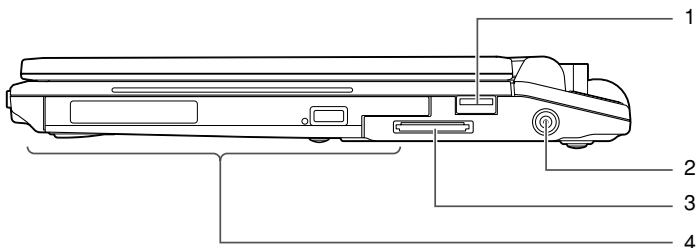
用于连接到外部视讯设备的 S-Video 输出端口。

7. 外接显示器端口

外接显示器端口用于连接外部显示器。

8. LAN 端口

可使您用选购的 LAN 电缆将笔记本电脑连接至 LAN (本地局域网)。



■ 右面板

1. USB 端口

用来连接兼容 USB 标准的外设选项，如 USB 软盘驱动器和 USB 打印机。

2. 直流输入插孔

在此端口插入随机提供的交流适配器以对笔记本电脑供电并给电池充电。

重要

- 在将一个外设插接到笔记本电脑上的一个端口时，先确定插头插入的方向正确，然后再径直插入到端口。

3. SD 卡 / xD 卡 / 记忆棒插槽

用来插入可选的 SD 卡 / xD 卡 / 记忆棒作为存储设备使用。

4. 模块插槽

您的笔记本电脑装有一个能量交替装置的模块插槽，根据国家不同可能会有所差异。请向您当地经销商查询实际配置。这个装置拥有所谓的能量交替是因为您可在没有关闭笔记本电脑的情况下自由取出或装入插槽。您可以用其他选购件更换已经安装的能量交替装置。选购件有个别出售。

重要

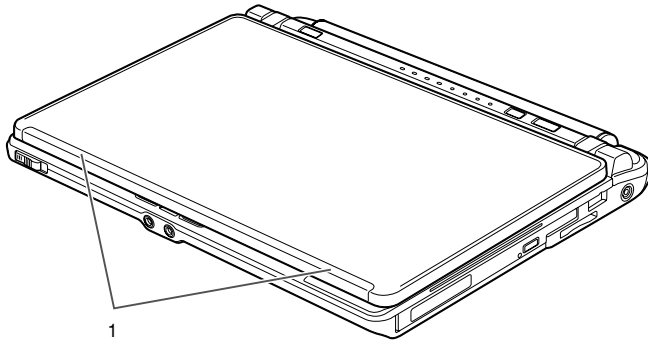
- 如果此 LifeBook 配有能读取 DVD 标题的光驱，则此光驱的出厂预设读取带有为亚太市场指定的地区代码的 DVD 标题（例如，亚洲代码为 3，澳大利亚代码为 4，中国代码为 6）。

重要

- 当首次播放带有地区代码的 DVD 标题时，而此代码与 DVD 出厂设定地区代码不同，则将会提醒您更改 DVD 光驱的地区代码。DVD 光驱的地区代码最多可更改 4 次，此后 DVD 光驱将被锁定，因此只能播放最后设定的地区代码的 DVD 标题。

要点

- 请不要在多用槽空置的情况下使用笔记本电脑。这样可能会造成笔记本电脑故障。



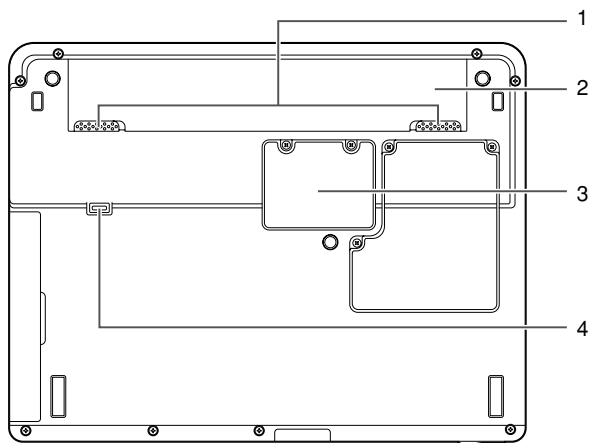
笔记本电脑的顶部特征

1. 内置无线 LAN*

双无线 LAN 天线的位置。

注：

仅适用于带有无线 LAN 天线的笔记本电脑。



笔记本电脑的底部特征

1. 内部电池组锁

若要取出内部电池组，请滑动此锁。

2. 内部电池组舱

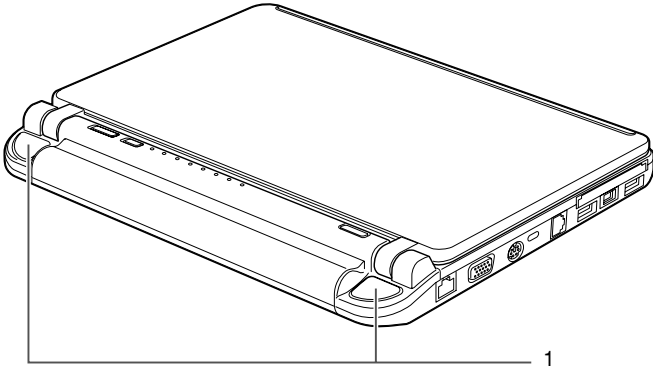
内部电池组所在位置。

3. 扩展 RAM 模组插槽

扩展内存插槽的位置。

4. 模块插槽锁

要取出模块插槽时，移动槽锁后再将插槽拉
出。



笔记本电脑的背面

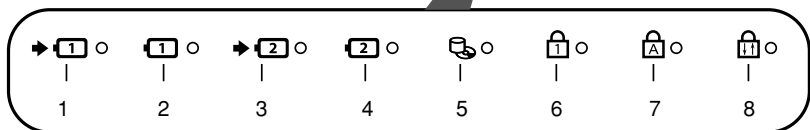
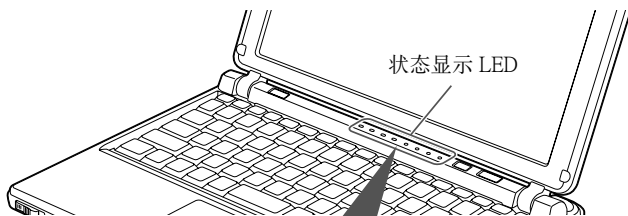
1. 扬声器

扬声器产生立体声声音。



要点

- 请勿用力压扬声器的格栅以免造成损坏。



操作状态指示灯



要点

- 电源关闭时，除非正在进行充电，否则状态显示灯也全部关闭。

1. 内置电池组充电指示灯 (➔ 1)

此灯指示交流电源适配器与电脑连接时，内置电池的充电状态。

- 绿色灯亮起
充电完成，或由于未安装内置电池组而未在充电。
- 橙色灯亮起
正在充电
- 橙色灯闪烁
充电停止（由于电池温度警告等 [注意1]）
- 关闭
由于未连接交流电源适配器，未在充电。

2. 内置电池组电量指示灯 (1)

此灯指示内置电池组的剩余电量。

- 绿色灯亮起
剩余电池电量：100% - 50% [注意 2]
- 橙色灯亮起
剩余电池电量：49% - 13% [注意 2]
- 红色灯亮起
剩余电池电量：12% 或以下 [注意 2]
- 橙色灯闪烁
正在测量剩余电池电量（内置电池组安装后持续 4 秒钟）
- 红色灯闪烁
电池异常。
- 关闭
未连接内置电池组。

3. 扩展内置电池设备充电指示灯 ()

此灯指示交流电源适配器与电脑连接时，扩展内置电池设备的充电状态。

- 橙色灯亮起
正在充电
- 橙色灯闪烁
充电停止（由于电池温度警告等 [注意 1]）
- 关闭
由于未连接交流电源适配器，未在充电。

4. 扩展内置电池设备电量指示灯 ()

此灯指示扩展内置电池设备的剩余电量。

- 绿色灯亮起
剩余电池电量：100% - 50% [注意 2]
- 橙色灯亮起
剩余电池电量：49% - 13% [注意 2]
- 红色灯亮起
剩余电池电量：12% 或以下 [注意 2]
- 橙色灯闪烁
正在测量剩余电池电量（扩展内置电池设备安装后持续 4 秒钟）
- 红色灯闪烁
电池异常
- 关闭
未连接扩展内置电池设备。

注意 1：

内置电池组或扩展内置电池设备的温度由于电池的加热或冷却而过高或过低时，带有电池保护功能的电池温度警告使充电停止。

注意 2：

操作状态或电池充电

要点


- 电源关闭时，如果安装内置电池组或扩展内置电池设备，电池电量指示灯将以橙色闪烁，然后显示 5 秒钟当前剩余电池电量。
如果未连接交流电源适配器或电池已充满，指示灯关闭，不指示任何内容。
- 待机模式时，如果未连接交流电源适配器或电池已充满，电池电量指示灯不亮但闪烁。闪烁间隔以 1 秒开 5 秒关循环。

5. 硬盘 / CD 存取指示灯 ()

当存取内置硬盘或 CD 时，此灯亮起。

要点

- 硬盘 / CD 存取指示灯亮起时操作 POWER 按钮，可能会损毁硬盘中的数据。



6. 数字锁定指示灯

数字锁定指示灯表示内部键盘被设定在十键数字小键盘模式。

7. 大写锁定指示灯

大写锁定指示灯表示您的键盘被设定为输入所有大写字母。

8. Scrlk（滚动锁定）指示灯

滚动锁定指示灯表示滚动锁定已经启用。

靠电池运行笔记本电脑 电池充电

1. 将交流适配器连接至笔记本电脑。
2. 充电状态指示灯点亮。
表示电池组是否正在充电。
3. 充电状态指示灯变为绿色后，请断开交流适配器与笔记本电脑的连接。

要点

- 购买后第一次使用随机提供的电池组之前，或者电池超过一个月未充电时请对电池组重新充电。
- 若要对电池组完全充电，则一直充电到充电状态指示灯变为绿色。
- 当电池已充电 90% 或更高时，则即使还连接著交流适配器，它也不能再充电。当电量（或剩余电池使用时间）为 89% 或更少时，电池组才可以重新充电。
- 如果在超高温或超低温情况下对电池充电，则电池组的可充电性会降低。
- 在电池运行后电池的温度立即上升，电池保护功能会立即启动，从而停止对电池充电。（如果发生这种情况，充电状态指示灯闪烁橙色。）当电池温度下降后，笔记本电脑自动重新对电池组进行充电。

靠电池运行笔记本电脑

若要靠笔记本电脑本身内部电池组运行笔记本电脑，请执行以下步骤。

1. 从笔记本电脑上断开交流适配器，然后按下电源按钮启动笔记本电脑。



要点

- 如果在寒冷的地方使用电池，则电池的使用时间会相应缩短。
- 电池长时间使用后，电池组的可充电性会随之降低，并且其使用寿命也会相应缩短。如果电池很快耗尽，请更换新的电池。
- 电池温度上升可能使笔记本电脑速度下降。如果发生上述情况，请将交流适配器连接至笔记本电脑。

检查电池的电量

当电源打开或电池组充电时，您可以通过任务栏上显示的电量等级来查看电池电量。

要点

- 由于锂电池特性的原因，在有些情况下（温度条件、电池已充放电的次数等因素）电池电量指示灯可能不能正确指示电池已充好的电量。
- 当电池组已充电 90% 或更高时，则即使电脑上还连接著交流适配器，它也不能再充电。当电量（或所剩的电池寿命）为 89% 或更低时，就可以重新对电池充电。

■ 电池温度报警（充电状态指示灯）

如果电池组变得很热或很冷时，充电状态指示灯闪烁橙色以表示电池保护功能已经被激活并停止了充电。当电池组温度恢复正常时，充电状态指示灯将会停止闪烁并变为橙色，笔记本电脑自动重新对电池组进行充电。

■ 电池故障报警（电量指示灯）

如果电池组无法正常充电，电量指示灯将闪烁红色。

要点

- 如果电量指示灯闪烁红色，请关闭笔记本电脑，然后取出并重新正确安装电池组。如果电量指示灯仍然闪烁红色且电池组已正确安装，此为失效状态或是电池寿命已到。请更换上新的电池组。

电池电量不足状态

当电池放电到非常低的水平时，任务栏上显示的电量等级将发出表示电量很低的警告。如果发生这种情况，请立即将交流适配器连接到笔记本电脑给电池充电。

要点

- 使用电量不足的电池可能会造成当前正在创建或保存的数据丢失。尽快将交流适配器连接到笔记本电脑。如果没有交流适配器，请立即保存正在处理的数据，退出所有程序，然后关闭笔记本电脑。
- 读写硬盘上的数据需要大量电能。因此，当电池电量不足时，应先将交流适配器连接到笔记本电脑，然后再读写硬盘上的数据。

要点

- 如果在一定的时间内电池电量很低，则将使笔记本电脑自动进入待机模式。然而，当正在读写硬盘上的数据时，笔记本电脑在完成读写数据之前不会进入待机模式。
- 预设情况下，笔记本电脑已配置为在电量剩下约 3% 时进入待机模式。
若要更改此项设定，请按照如下步骤操作：打开“Power Options Properties”对话框，单击“Alarms”选项卡，然后在“低电池电量警告”部分中单击“Low battery alarm when power level reaches”确认框 （ 变为 ）。
如果更改此项设定，将使笔记本电脑在电池耗尽时电源会被切断。并可能导致正在储存或创建的数据丢失或笔记本电脑产生故障。

端口替代物

端口替代物为选购项目。在有些国家的配置中可能作为附件。请向当地销售商确认。

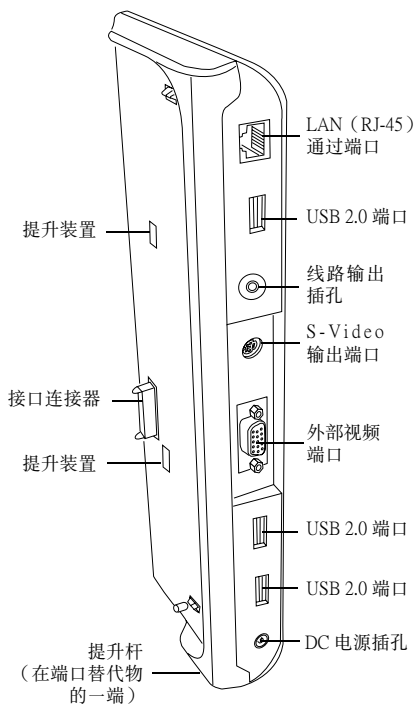


图 1. 端口替代物功能

LAN (RJ-45) 插孔

LAN 端口用于连接 LAN (RJ-45) 电缆。请注意，当您的笔记本电脑对接在端口替代物上，则系统上的 LAN 端口将无法存取；与系统对接时，只有端口替代物 LAN 端口可以使用。

USB 2.0 端口

三个 USB 2.0 端口用于连接 USB 设备。

线路输出插孔

线路输出插孔用于连接外部扬声器等外部音频设备。

S-Video 输出端口

S-Video 输出端口用于将高清晰度视频讯号传送到兼容电视机或录影机。

外部视频端口

外部视频端口用于连接外部 CRT 监视器或投影机。

DC 电源插孔

DC 电源插孔用于插入交流转换器以对笔记本电脑供电。

提升杆/提升装置

端口替代物末端处的提升杆可以用来抬起提升装置，以便于将系统向上微微推起，更容易取出。请注意，这些提升装置不能将系统固定在端口替代物上，所以切勿试图抓住端口替代物拿起系统。

接口连接器

扩充端口将端口替代物连接至您的笔记本电脑。



切勿用端口替代物拿住系统。端口替代物除了接口连接器与系统连接以外，与系统没有任何连接。

连接端口替代物

端口替代物可以在笔记本电脑处于开启、处于暂停模式、处于睡眠或电源关闭状态下与笔记本电脑连接。若要连接端口替代物，请按照以下步骤操作：

1. 将笔记本电脑下面的端口替代物连接器与端口替代物顶部的连接器对准。
2. 向下按笔记本电脑与端口替代物牢固连接。

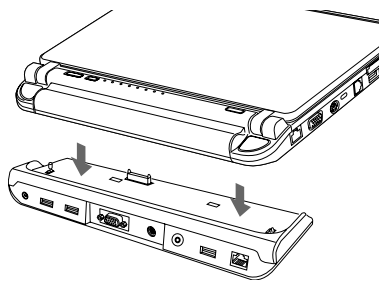


图 2. 连接端口替代物

分离端口替代物

端口替代物可以在笔记本电脑处于电源开启、暂停模式或电源关闭状态下分离。

若要分离端口替代物，将笔记本电脑从端口替代物上向上笔直抬起。

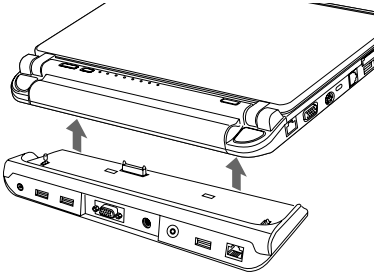


图 3. 分离端口替代物

尽管不需要提升装置，但您也可以使用提升装置从端口替代物上抬起系统的底部，以便于取出系统。

若要使用提升装置（图 1），请将端口替代物尾端的提升杆从底部拉出（图 4），直至系统微微抬起。

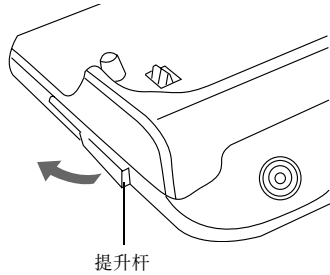


图 4. 使用提升装置

使用指纹验证

通过指纹验证，您可无需输入用户名和密码，只要将手指在指纹感应器上滑动就能登录到首页或 Windows。本章介绍如何使用指纹验证。
若要使用指纹验证，必须预先注册用户指纹。

注：

此功能仅适用于带指纹感应器的 LifeBook。

若要使用指纹验证，则必须注册用户指纹。

指纹验证的特点

■ 指纹验证可用于以下情况。

• 登录到 Windows

当 Windows 用户帐户有密码保护时，只有知道密码的人才能使用该帐户登录到 Windows。可是，每次登录到 Windows 时，您都必须输入密码。

通过使用指纹验证，您只要对已预先注册的指纹进行验证，就能登录到 Windows，这样就无需输入密码。

• 从省电状态恢复

如果电脑从省电状态恢复时有密码保护，每次电脑从省电状态恢复时您都必须输入密码。

通过使用指纹验证，您只要对已预先注册的指纹进行验证，就能从省电状态恢复，这样就无需输入密码。



无需输入密码。

通过对已注册的指纹进行验证，您可以登录到 Windows 或从省电状态恢复。

• 取消有密码保护的屏幕保护程式

如果屏幕保护程式有密码保护，您可以锁定电脑。但是，取消屏幕保护时，您必须取消锁定。

通过使用指纹验证，您只要对已预先注册的指纹进行验证，就能取消锁定，这样就无需输入密码。

• 登录需要输入 ID（用户名）和密码的首页

若要登录到有安全设定的首页时，您可能需要输入如 ID（用户名）和密码等登录信息。通过指纹验证，如果特定首页的登录信息预先被储存，您只要验证指纹，就能登录到这些首页。

输入登录信息的情况视首页而定：直接在首页内输入或在特定的指示屏幕内输入。无论哪一种情况，都可以用指纹验证进行登录。

设置注册信息

在以下设置内设定注册信息。
若要使用指纹验证，需要预先注册用户指纹。

■ 在指纹验证上注册信息（用户名和密码仅为示例）

- 用户名
用于注册指纹的用户名。必须与用于登录到 Windows 的用户名相同。
- 域
显示电脑的全名。
- 指纹
指纹被注册。
- 密码
用于注册指纹的用户密码。必须与用于登录到 Windows 的密码相同。
- 在首页上的登录信息
预先注册一个 ID（用户名）和密码，就能仅通过验证指纹浏览需要输入 ID（用户名）和密码的首页。

在首页上注册登录信息

若要登录到有安全设定的首页，您可能必须输入如 ID（用户名）和密码等登录信息。
通过指纹验证，如果特定首页的登录信息预先被储存，您只要在指纹感应器上滑动手指，就能登录到这些首页。

■ 在首页上注册登录信息

1. 显示一个您想要注册登录信息的首页。
2. 输入登录信息。
 - 直接在首页内注册登录信息时切勿按“登录”等按钮。




- 在特定屏幕内输入登录信息时切勿按“确定”按钮。



- 右击屏幕右下角通告区内的 OmniPass 图标



，然后单击“记忆密码”。

鼠标指针变为  。



- 鼠标指针变为  后，单击步骤 2 中输入登录信息的地方。

出现“OmniPass-Name of easy to memorize”视图。

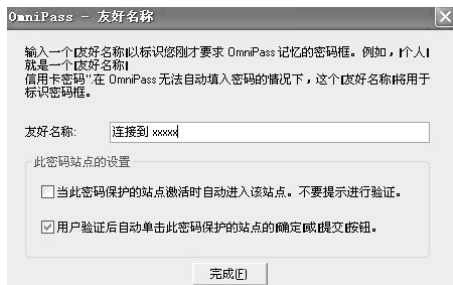
- 直接在首页内注册登录信息时单击输入用户名和密码的地方。



- 在特定屏幕内输入登录信息时单击输入屏幕。



5. 在“OmniPass-好友名称”视窗内输入登录信息的名称。



6. 单击“完成”。

注册登录信息完成。在这里设定的首页可以通过验证注册的指纹进行验证，而无需输入用户名和密码。

■ 管理首页上的登录信息

用指纹验证登录到首页的信息可以在以下屏幕中进行管理。

1. 依次单击“开始”，“所有程序”，“Softex”和“OmniPass control center”。出现“OmniPass control center”视窗。

2. 单击“保险库管理”出现“保险库访问验证”视窗。



3. 在指纹感应器上滑动任一已注册指纹的手指。

指纹验证成功时，将出现“ID management”视窗。



4. 选择用户名，然后单击“管理密码”。
出现“密码管理”视窗。



5. 登录信息显示在“Dialog protected by password”内。

若要更改登录信息，必须注册登录信息。选择您要更改的登录信息名称，单击“删除页”。然后登录信息被删除之后，对要注册的登录信息进行注册。



使用指纹验证登录到首页

通过指纹验证，您只要将手指在指纹感应器上滑动就能登录到有安全设定的首页。

■ 在首页上注册登录信息

1. 显示一个已注册如 ID（用户名）和密码等登录信息的首页。
出现“访问验证”视窗。
2. 在指纹感应器上滑动任一已注册指纹的手指。
验证指纹成功时，将自动登录到首页。

更改注册信息

本章介绍如何更改用于使用指纹验证的已注册信息。

重要

- 完成指纹验证的注册后，切勿更改用于登录 Windows 的用户名和设定至指纹验证登录信息的用户名。

注册信息

注册信息包括一个用户名、一个密码、一个指纹和在首页上的登录信息。注册信息更新后，在重新注册之前请删除所有如用户名和密码等注册信息。

但是，新增新指纹或新增 / 删除首页的登录信息时，不必删除指纹验证的注册信息。

用户名

切勿更改用户名。

密码

当用于登录 Windows 的密码被更改时，必须将指纹验证的注册信息的设定密码更改为与更改后的登录 Windows 的密码相同。当指纹验证的注册信息的设定密码被更改时，重新注册之前请删除所有指纹验证的注册信息。

指纹

可以新增注册的指纹数。若要删除已经注册的指纹，必须在重新注册之前删除所有指纹验证的注册信息。

首页上的登录信息

首页上的登录信息被更改时，重新注册之前必须删除已注册的登录信息。在这种情况下，不必删除指纹验证的注册信息。

删除指纹验证的注册信息

1. 依次单击“开始”，“所有程序”，“Softex”和“OmniPass control center”。
出现“OmniPass control center”视窗。
2. 单击“从 OmniPass 中删除用户”。
出现“Log-in user authentication”视窗。



3. 在指纹感应器上滑动任一已注册指纹的手指。

指纹验证成功后，出现“User delete confirmation”视窗。



4. 单击“确定”。

显示“A user has normally been deleted”信息。

指纹验证的注册信息已被删除。

■ 新增注册信息到指纹验证

1. 单击“向 OmniPass 中添加新用户”。

出现“Confirmation of user name and password”视窗。

不显示“OmniPass control center”时，依次单击“开始”按钮 -> “所有程序” -> “Softex” -> “OmniPass control center”。



2. 输入与登录 Windows 相同的密码，单击“Next”。

出现“选择手指”。切勿更改用户名和域。



3. 选择一个已注册指纹的手指，单击“下一步”。

出现“指纹验证”视窗。

5. 显示“Recommend to register another finger”时，单击“是”。

出现“选择手指”视窗。

6. 重复步骤 3 到 5，注册另一个手指的指纹。

出现“Setting up audio and task bar”视窗时，执行步骤 7。

7. 单击“Setting up audio and task bar”视窗中的“确定”。

出现“OmniPass user account has been created”视窗。

8. 单击“完成”。

9. 显示“Do you log on for a new user”信息时，单击“是”。

再次出现“OmniPass control center”。

10. 单击“确定”。

“OmniPass control center”视窗被关闭。

指纹验证的重新注册已完成。



4. 在指纹感应器上滑动手指以确认指纹被提取。“Fingerprint confirmation”完成时，单击“确定”。

执行“指纹验证”三次。“指纹验证”三次都成功后，在指纹感应器上再次滑动手指进行“指纹确认”。



储存 / 读取注册信息

用户名和密码，曾被注册的指纹和首页登录信息等信息可以一并储存。建议您储存注册信息以免注册信息被错误删除。

■ 储存注册信息

- 依次单击“开始”，“所有程序”，“Softex”和“OmniPass control center”。出现“OmniPass control center”视窗。
- 单击“导入 / 导出”。出现“用户”视窗。



- 单击“导出 OmniPass 用户配置文件”。出现“Authentication of user export”视窗。



- 验证已注册指纹。指纹验证成功时，将出现“Save users that have been exported by providing a name”视窗。



5. 输入要储存的注册信息名称，单击“保存”。

显示“User export has been completed.”的信息。

以储存在“我的文档”文件夹为例。要储存的注册信息可以任意取名。



6. 在“User export has been completed”信息中单击“确定”。



用户的导出完成，且注册信息被储存。

■ 读取注册信息。

要点

- 若没有用户注册指纹验证，则在启动电脑时显示“OmniPass 注册向导”视窗。当导入注册信息时，单击“取消”。

1. 依次单击“开始”，“所有程序”，“Softex”和“OmniPass control center”。显示“OmniPass control center”视窗。

2. 单击“导入/导出用户”。显示“Import/export of user”视窗。



3. 单击“向 OmniPass 中导入新用户”。显示“打开文件以导入用户”视窗。



4. 选择已储存的注册信息，并单击“打开”。
显示“OmniPass 导入用户”视窗。



5. 输入用户名，域和密码，然后单击“下一步”。

显示“User import of OmniPass has been completed”信息。

输入同用于登录Windows相同的用户名和密码。



要点

● 如何确认域

用于设定指纹验证的注册信息的“Domain”可以通过下列步骤检测。

1. 单击“开始”。
2. 右击“我的电脑”，并单击显示的菜单中的“属性”。
显示“系统属性”视窗。
3. 单击“电脑名称”标签。
4. 已被设定至“完整的电脑名称”的名称为“Domain”。

6. 单击“确定”。

7. 重新启动您的电脑。

重新启动电脑能够使已经被读取（导入）的注册信息有效。

设定视窗

指纹验证设定可用“OmniPass control center”更改。

■ 如何启动“OmniPass control center”

按照下列步骤启动“OmniPass control center”。

1. 依次单击“开始”，“所有程序”，“Softex”和“OmniPass control center”。“OmniPass control center”启动。

■ 用户管理

• 新增和删除用户

使用指纹验证的用户可以被新增和删除。“Change registration information”

• 用户导入 / 导出

已设定的用户信息可以被储存（导出），或已储存的用户信息可以被读取（导入）。“Save/Read registration information”




■ 用户设定

• 音频

当使用的指纹验证被设定时，声音从电脑中传出。

• 显示工作列提示

此设定用于当登录Windows时，在桌面右下角的通告区显示  OmniPass图标信息。

• 注册

除已被注册的指纹之外，新的指纹可以被新增和注册。



■ 系统设定

• 启动选项

可用指纹验证登录 Windows 或停止使用指纹验证。



• 密码管理

管理通过指纹验证登录首页的用户名和密码。若要改变登录信息，则删除登录信息一次，然后重新注册。



■ 保险库管理

管理登录首页的信息。当显示此设定屏幕时，已经注册的指纹将被验证。
“在首页上登录信息”

• ID管理

管理登录首页的用户 ID（用户名）。

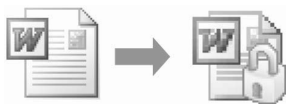
■ 加密和解密

允许用指纹感应器对档案和整个资料夹加密。



■ 档案和资料夹加密

为了对档案或资料夹加密，按一下要加密的资料夹或档案，然后按一下滑鼠右键，选择“Omnipass Encrypt File(s)”。Omnipass 将在所选择的档案上执行加密。若要解密，则按一下此档案，然后按一下滑鼠右键选择“Omnipass Decrypt File(s)”。Omnipass 将对档案解密进行观看。



请注意，Windows 中的某些档案和资料夹可能无法加密。

更详细信息，请参阅 LifeBook 中的 Omnipass 说明档案。

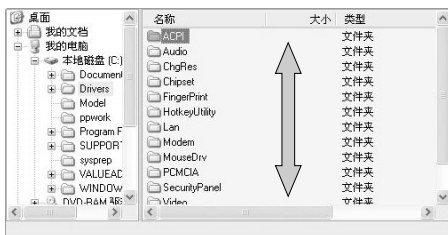
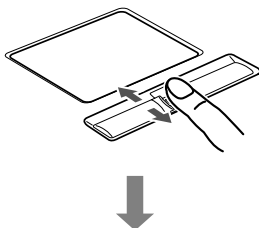
■ 版本信息

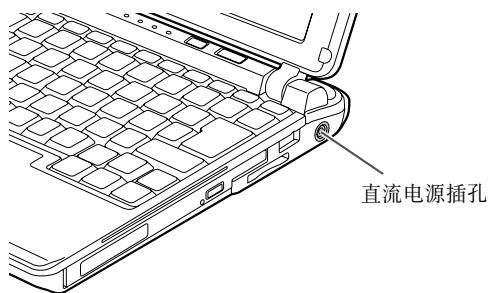
显示指纹验证实用程序的版本信息。



■ 滚动

指纹感应器带有滚动功能。利用感应器技术，使用者只要向前推动手指向上滚动，向下推则向下滚动，即可向上或向下滚动文件。





电源

连接电源适配器

交流适配器为操作笔记本电脑提供电源，并对电池充电。

连接交流适配器

1. 将直流输出电源线插入笔记本电脑的直流电源插孔。
2. 将交流适配器插入交流电源插座。



要点

在购买时锂离子电池未充电。在第一次使用时请记住将交流适配器连接到笔记本电脑对电池充电。

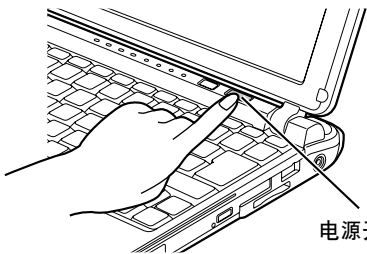
开机

电源 / 暂停 / 恢复按钮

您可以使用电源 / 暂停 / 恢复按钮开启您的笔记本电脑。一旦您连接了交流适配器或已经完成内部锂离子电池充电，您就可以开启笔记本电脑。

要点

当您打开笔记本电脑时，必须确保笔记本电脑已连接了电源。这表示至少要安装一块电池并已经充电，或者连接交流适配器且接通电源。



电源开关

您可以按电源 / 暂停 / 恢复按钮关闭您的笔记本电脑。当您结束使用笔记本电脑后，您可以使笔记本电脑停留在待机（如暂停）模式或关闭笔记本电脑。

注意

切勿将笔记本电脑在电源开启情况下到处移动。且勿使笔记本电脑受到冲击或震动，否则会损坏您的笔记本电脑。

当笔记本电脑开启后，为了能正常操作，笔记本电脑将执行开机自检（POST）以检查内部部件和配置。如果发现故障，笔记本电脑将发出声音警告和 / 或显示错误信息。当开机自检（POST）顺利完成，笔记本电脑将开始载入操作系统。

关机

关闭电源之前，请确认硬盘、DVD、CD-ROM、CD-RW 和 PC 卡指示灯都已熄灭。如果在笔记本电脑正在存取磁盘或 PC 卡时关闭笔记本电脑，则可能丢失或损坏数据。关闭笔记本电脑时应始终采用 Windows 关机程序正确关闭笔记本电脑。

注意

在使用电源按钮关闭电源之前应牢记先关闭所有文件，结束所有应用程序，关闭操作系统。如果笔记本电脑电源关闭时正在操作文件，则数据可能丢失，并可能导致磁盘出现错误。

请记住使用正确的程序关闭笔记本电脑。正确的程序如下：

1. 单击开始按钮，然后单击关机或关闭笔记本电脑。
2. 在 Windows 关机对话框中选择关机选项。
3. 单击确定关闭笔记本电脑。

更换内部电池组

警告

- 更换内部电池组之前应确保关闭笔记本电脑。不要接触笔记本电脑或电池组上的任何端子。否则，您可能会触电或笔记本电脑可能会突然关闭。

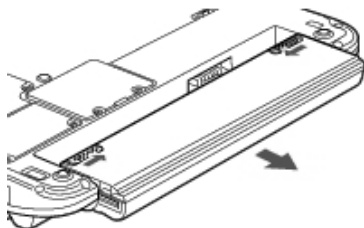
更换内部电池组

1. 关闭笔记本电脑。
2. 关上 LCD 面板，将笔记本电脑面朝下放置。

重要

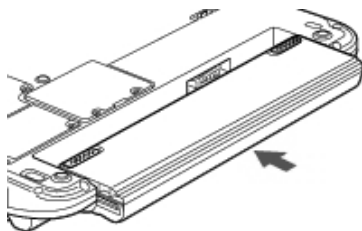
- 当心地上 LCD 面板以免撞击。否则会损坏 LCD 面板。

3. 按照箭头方向将锁钩向前推住不放，取出内部电池组，直至电池组从连接器中脱离。



4. 安装新电池组。

牢固插入电池组，直到您听见喀嗒声。



重要

- 取出内部电池组后，必须采取措施防止电池短路，例如，用绝缘胶带封住电池的连接端子。取出内部电池组后，切勿将其与其它类型的电池混在一起。内部电池组（锂离子电池）含有贵重的资源。因此，您应该尽可能将废弃的电池组作为可回收材料处置。

增加内存 何处安装内存

您的笔记本电脑有扩充 RAM 模块槽（槽 2），用于新增内存模块。

笔记本电脑内存容量最大可以扩充到 2 GB（1 GB x 2）。

准备工作

• 十字螺丝刀

请使用适当大小的螺丝刀卸下盖子上的螺丝。否则会损坏螺丝头。

要点

- 内存模块配量表。
下表为笔记本电脑中可以安装的内存组合。

安装除以下表中内存组合之外的其它内存组合会削弱笔记本电脑的功能。

总容量	槽 1	槽 2
256 MB	256 MB	
384 MB	256 MB	128 MB
512 MB	256 MB	256 MB
768 MB	256 MB	512 MB
1 GB	512 MB	512 MB
2 GB	1 GB	1 GB

安装内存模块

若要安装内存，请执行以下步骤。

警告

- 安装任何内存模块之前，请记住关闭笔记本电脑，并断开交流适配器。
- 将外盖、金属罩和螺丝等小物件放在小孩和儿童无法接触到的地方。万一吞如这些小物件则可能导致窒息。一旦发生上述意外，请立即就医。

注意

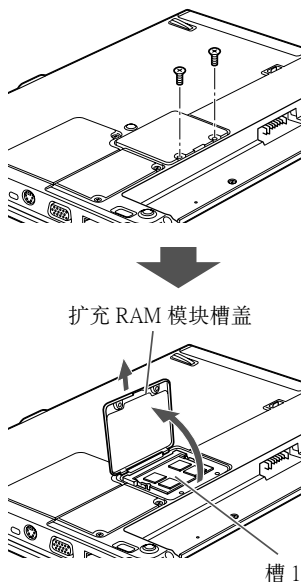
- 笔记本电脑长时间开启时内存插槽周围的一些组件温度会非常高。为避免烫伤，请不要在关机之后立即安装或取出内存模块，而应等到内部组件冷却之后再进行操作。
- 安装或取出内存时，必须拿住它的边缘，并小心不要碰到任何部件和 IC。
- 内存是由对人体静电很敏感的材料制成。在拿内存之前，应始终先触摸金属物，使您身上的静电得以释放。
- 开始安装或取出内存模块之前，请记住先关闭笔记本电脑。当取出内存时如果笔记本电脑处于待机或睡眠模式，则数据可能丢失或损坏。另外还会损坏内存模块。

1. 关机后从笔记本电脑上断开交流适配器。
2. 关闭 LCD 面板，然后将笔记本电脑翻转放置。
3. 取出内部电池组。

要点

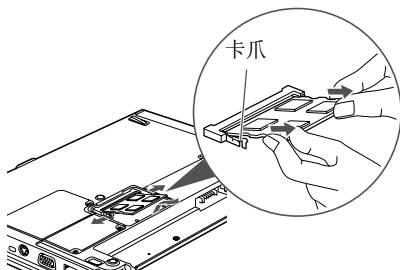
- 为避免损坏，请不要随意接触内部组件。
- 为避免损坏，注意不要将卸下的螺丝或其它小物件跌落到笔记本电脑内。

4. 关闭 LCD 面板，然后将笔记本电脑倒放过来。
5. 拧下螺丝（两个）以便拆下扩充 RAM 模块槽盖。
按两箭头方向翻开扩充 RAM 模块槽盖并将其拆下。



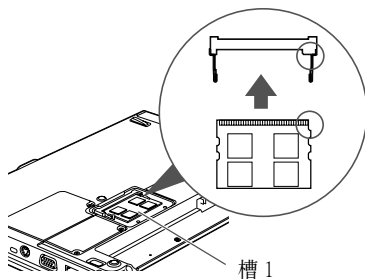
6. 取出内存。

如果两侧固定内存的卡爪向两旁分开，则可以将内存稍稍向上抬起。请从槽中将内存向上斜向拉出。



7. 安装内存

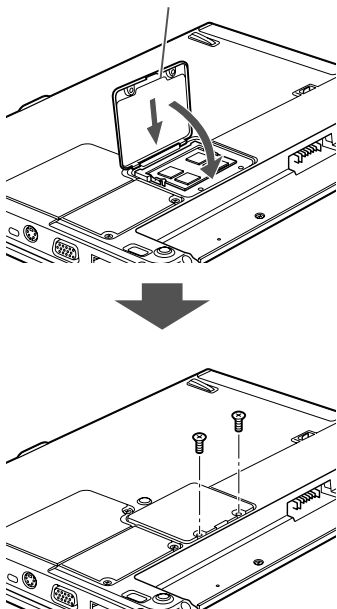
将内存的缺口与连接口的突出部分对齐，然后，斜向从上方插入内存并按下，直到发出咯嗒声。



8. 装上扩充 RAM 模块槽盖。

重新装在上在步骤 5 和步骤 6 中拆下的盖子。

扩充 RAM 模块槽盖



9. 安装内置电池组。

与“更换内置电池组”的步骤 4 相同。

要点

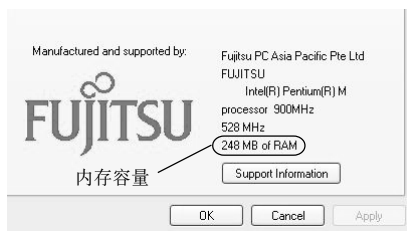
- 如果在步骤 3 中取出了扩充内置电池设备（附件），请重新将其装上。

检查内存容量

重要

- 如果内存安装不正确，则开启笔记本电脑时将显示错误信息“Expansion memory error”。如果出现此类信息，请关闭笔记本电脑，取出内存模块然后重新安装。

1. 开启笔记本电脑。
2. 单击“开始”按钮并选择“控制面板”。出现“控制面板”窗口。
3. 单击“效能及维护”，然后单击“系统”。出现“系统内容”对话框。
4. 检查下图圆圈内的数字值是否增加了您添加的内存大小。



在本例中安装了 256 MB 内存。

* 笔记本电脑内部需要使用 8 MB 内存，因此内存容量要小于此窗口中显示的实际安装的内存容量。

5. 单击“确定”。
“性能和维护”窗口会再次出现。

要点

- 如果显示的数值与笔记本电脑的内存容量不相符，则检查刚安装的内存模块。

疑难解答

这款 Fujitsu LifeBook 笔记本电脑经久耐用，实际使用中很少发生问题。但是，您可能会遇到一些能当场解决的简单设置或操作问题，或者遇到可通过更换设备便能解决的周边设备中的问题。这一部分中的信息帮助您找出和解决其中一些简单的问题，以及识别需要维修的故障。

识别问题

如果遇到问题，请在寻求复杂的解决办法之前，先执行以下步骤：

1. 关闭 LifeBook 笔记本电脑。
2. 确定交流适配器已插接到笔记本电脑，并且已接入到通电的交流电源。
3. 确定 PC 卡插槽中安装的所有卡都正确到位。您也可以从插槽中取出卡，从而排除由它引起故障的可能。
4. 确定外部接口上连接的所有设备都正确插接。您也可以断开这些设备，从而排除由它们引起故障的可能。
5. 打开 LifeBook 笔记本电脑。在打开前应确保已经关闭了至少 10 秒钟。
6. 完成引导过程。
7. 如果问题没有解决，请参阅随后的“疑难解答表”，以获得有关疑难解答信息的详细说明。

8. 如果通过疑难解答表中建议的方法不能解决问题，请和客户支持代表联络。

在电话联络之前，请准备好提供下列信息，这样客户支持代表就会尽可能最快地为您提供解决方法：

- 产品名称
- 产品设置号
- 产品系列号
- 购买日期
- 在何种情况下产生问题
- 显示的错误信息
- 硬件设置
- 若连接周边设备，请说明设备的类型

关于设置号和系列号，请查看 LifeBook 笔记本电脑底部的设置标签。

具体问题

使用疑难解答表

当您遇到 LifeBook 笔记本电脑出现问题时，请尝试在疑难解答表的“问题”一栏中找出问题症状。在“可能的原因”下面，您可以找到该症状常见原因的说明。按照“可能的解决方案”一栏的说明解决问题。并非所有可能的原因或解决方案都适用于您的 LifeBook 笔记本电脑。

要点

如果您对您所做的尝试作记录，客户支持代表通过电话也许会更快地向您提出更多的建议。

疑难解答表

问题	可能的原因	可能的解决方案
音频问题		
内置扬声器不发出声音。	软件音量控制设置得太低。	调整软件、操作系统和应用程序中的音量控制设置。
	耳机插入到了笔记本电脑。	插入耳机会禁用内置扬声器，请取下耳机。
	BIOS 音频设置不正确。	在 Multimedia Device Configuration（多媒体设备配置）菜单中将 BIOS setup 实用程序设置为默认值。
	软件驱动程序配置不正确。	请参阅应用程序和操作系统说明文档以获得帮助。
	扬声器已经用系统托盘上的音量图标设置为静音。	单击屏幕右下角工具托盘内的音量图标（此图标看上去像一个扬声器）。如果静音方框被选中，则单击此方框取消选中。
光驱问题		
LifeBook 笔记本电脑无法识别 DVD/CD-RW/CD-ROM	保护层仍然留在光驱托盘中。	移去保护层并重新在托盘中装入 DVD/CD-RW/CD-ROM。
	DVD/CD-RW/CD-ROM 没有按入到驱动器中央的凸缘上。	打开媒体托盘，重新正确安装 DVD/CD-RW/CD-ROM。
	媒体托盘没有锁闭。	推媒体托盘的前端，直至其卡锁。
	安装的 DVD 播放器不正确，或没有安装 DVD 播放器。	安装 DVD 播放器软件。
	错误的驱动器标志符用于了应用程序中的 D V D/C D-R W/CD-ROM。	检查应用程序使用的驱动器标志符与操作系统使用的相同。当操作系统从 DVD/CD 引导时，驱动器标志会自动调整。

问题	可能的原因	可能的解决方案
光驱问题		
LifeBook 笔记本电脑无法识别 DVD/CD-RW/CD-ROM。	Windows DVD/CD-RW/CD-ROM 自动插入功能被禁用。	从桌面或应用程序软件启动 DVD/CD-RW/CD-ROM，或重新启用 Windows DVD/CD-RW/CD-ROM 自动插入功能。
(续)	DVD/CD-RW/CD-ROM 太脏或有问题。	使用不含研磨剂的清洁布擦拭 DVD/CD-RW/CD-ROM，然后重新插入。如果仍然不行，请在驱动器中试用其它光盘。
当托盘中没有安装 DVD/CD-RW/CD-ROM 时，或者未安装光驱时状态指示灯面板上的 DVD/CD-RW/CD-ROM 访问指示灯定时闪烁。	Windows DVD/CD-RW/CD-ROM 自动插入功能是活动状态，正在检查 DVD/CD-RW/CD-ROM 光盘是否可以运行。	这是正常现象。但是，您可以禁用这项功能。

问题	可能的原因	可能的解决方案
硬盘驱动器问题		
不能访问硬盘驱动器。		修改 BIOS 设置以正确设置 PrimaryMaster 和 Primary Slave。
	当可引导 CD-ROM 用来启动笔记本电脑时，应用程序使用了错误的驱动器标志符。	检查应用程序使用的驱动器标志符也在由操作系统使用。当操作系统从光盘引导时，驱动器标志符会自动调整。
	设置了安全功能，如果不输入密码，就不能启动操作系统。	检查您的密码和安全设置。
键盘或鼠标问题		
内置键盘好象不工作。	笔记本电脑进入了暂停模式。	按一下电源 / 暂停 / 恢复按钮。
	应用程序锁定了键盘。	尝试使用集成的指点设备重新启动系统。
您安装了外部键盘或鼠标，但它们好象不工作。	外部设备安装不正确。	重新安装设备。
	您的操作系统软件没有使用该设备正确的软件驱动程序进行设置。	检查设备和操作系统说明文档，激活正确的驱动程序。
您连接了外部键盘或鼠标，但它们好象锁定了系统。	您的操作系统软件没有使用该设备正确的软件驱动程序进行设置。	检查设备和操作系统说明文档，激活正确的驱动程序。
	您的系统已崩溃。	尝试重新启动笔记本电脑。

问题	可能的原因	可能的解决方案
内存问题		
BIOS setup 实用程序信息菜单没有显示安装的正确内存量。	内存升级模块安装不正确。	取出后重新安装内存升级模块。
	内存出现故障。	检查开机自检 (POST) 信息。
调制解调器问题		
关于调制解调器操作的信息。	关于调制解调器操作的信息由正在使用的调制解调器应用程序产生。	请参阅您的应用程序软件说明文档，以获得更多信息。

问题	可能的原因	可能的解决方案
PC 卡问题		
PC 卡插槽中插入的卡不工作，或锁定了系统。	卡安装不正确。	卸下后重新安装该卡。
	该卡可能是在应用程序正在运行时安装的，因此，笔记本电脑不知道它已经安装。	关闭应用程序后重新启动笔记本电脑。
	您的软件可能没有正确的软件驱动程序可用。	请参阅软件说明文档，激活正确的驱动程序。
	您可能为启用的 PC 卡选择了错误的 I/O 地址。	请参阅 PC 卡说明文档以判断要求的 I/O 地址。更改 BIOS 中的设置。
	您的 PC 卡设备和另一个设备被分配了相同的 I/O 地址。	检查 BIOS setup 实用程序和其它所有安装的硬件或软件内所有的 I/O 地址，确定没有相同的。
电源故障		
您打开了 LifeBook 笔记本电脑，但好象没有任何反应。	安装的主电池已完全放电，没有安装可选的第二个电池，或者没有安装电源适配器（交流适配器）。	检查状态指示灯面板以判断有无电池以及电池的状况。安装充电的电池或电源适配器。
	主电池已安装，但发生故障。	使用状态指示灯面板检查有无电池以及电池的状况。如果电池指示发生短路，请卸下该电池，使用另一个电源操作，或更换电池。
	电池电量不足。	检查状态指示灯面板以判断有无电池以及电池的状况。使用电源适配器操作，直至电池充电，或安装充电的电池。
	电源适配器（交流适配器）插接不正确。	检查适配器安装正确。

问题	可能的原因	可能的解决方案
电源故障		
您打开了 LifeBook 笔记本电脑，但好象没有任何反应。	电源适配器（交流适配器）所连接的交流插座没有电源。	将交流电源线插到另一个插座上，检查一下交流插座的线路开关或触发电路断路器是否已打开。
（续）	电源适配器（交流适配器）发生故障。	试用一下其它电源适配器，或安装充电的可选第二个电池。
您的 LifeBook 笔记本电脑自行关机。	电源管理参数被设置为自动超时，但这个时限太短，不符合操作的需要。	按键盘上的任一按钮，或移动一下鼠标以恢复操作。如果这样做不起作用，请按一下电源 / 暂停 / 恢复按钮。检查一下电源管理设置，或关闭应用程序，转到 Power Options 菜单调整超时值，以更好地适合您的操作需要。
	您现在只靠电池电源进行操作，并且忽略了电池电量不足警告，直至电池最终耗尽，电脑进入了电池耗尽暂停模式。	安装电源适配器或已充电的电池，然后按电源 / 暂停 / 恢复按钮。
	发生电池故障。	使用状态指示灯面板检查电池状况，更换或卸下短路的电池。
	电源适配器发生故障，或断开电源。	确定适配器已插接到带电的插座。
您的 LifeBook 笔记本电脑不能单独靠电池工作。	安装的电池已耗尽电量。	使用充电的电池更换电池，或安装电源适配器。
	没有安装电池。	安装充电的电池。
	电池安装不正确。	重新安装电池，检查已正确连接。
	安装的电池发生故障。	使用状态指示灯面板检查电池状况，更换或卸下短路的电池。

问题	可能的原因	可能的解决方案
电源故障		
电池好象放电太快。	由于您正在运行的应用程序频繁访问硬盘驱动器或DVD/CD-ROM 驱动器，使用调制解调器卡或 LAN PC 卡，因此需要消耗大量电能。	只要可能，就应使用主电池和可选的第二个电池和（或）使用电源适配器运行这个应用程序。
	节能功能可能已被禁用。	检查 Power Options 菜单中的电源管理和（或）设置实用程序设置，并根据您的操作需要进行调整。
	亮度一直调得很高。	调低亮度。亮度越高，显示器使用的电量也越高。
	电池太旧。	更换电池。
	电池遭受过高温。	更换电池。
	电池温度太高或太低。	将笔记本电脑恢复到正常的操作温度。当电池超出操作范围时，状态指示灯面板上的充电图标会闪烁。

问题	可能的原因	可能的解决方案
关机和开机问题		
电源 / 暂停 / 恢复按钮不工作。	电源 / 暂停 / 恢复 / 按钮已经在 Power Options 菜单内的 Advanced（高级）子菜单中被禁用。	从设置实用程序中启用该按钮。
	您按下按钮的时间不够长。	按住按钮的时间长一些。如果您的应用程序不让 CPU 检查按钮，这可能需要几秒钟。
	可能出现与应用程序软件的冲突。	关闭所有应用程序，然后重按一下按钮。
系统已加电，并且显示开机信息，但无法装入操作系统。	设置实用程序的引导过程设置与您的配置不兼容。	当 Fujitsu 标志出现在屏幕上时，通过按 [ESC] 键设置操作源，或使用 [F2] 键进入设置实用程序，在 Boot（引导）菜单中调整源设置。
	您的系统被保护，需要装入操作系统时输入密码。	确定您有正确的密码。进入设置实用程序，检查 Security（安全）设置，并做相应修改。
	未检测到内部硬盘驱动器。	使用 BIOS 设置实用程序或 Main（主）菜单内的 Primary Master 子菜单，尝试自动检测内部硬盘驱动器。
在引导过程中屏幕上显示错误信息。	开机自检（POST）检测到问题。	查看开机自检（POST）信息，判断问题的含义和严重程度。并非所有信息都是错误，有些只是状态指示器。

问题	可能的原因	可能的解决方案
关机和开机问题		
启动笔记本电脑时，它好象更改了设置参数。	当您修改 BIOS 设置，并退出 BIOS setup 实用程序时未保存所做修改。	确定您在退出 BIOS setup 实用程序时选择了 Save Changes And Exit（保存更改后退出）。
	BIOS CMOS 保持电池有故障。	与服务中心联系进行修理。用户不能自行修理这个部件。此部件的正常使用寿命为 3 年 5 年。
当系统接通电源后，或者当系统恢复后，系统显示不能开启。	系统可能受密码保护。	检查状态指示灯面板以确认安全图标是否正在闪烁。若正在闪烁，请输入密码。
视频问题		
打开 LifeBook 笔记本电脑时内置显示器为空白。	笔记本电脑设置为只使用外部显示器。	同时按下 [F10] 和 [Fn] 键可以更改显示视频发送的位置。每次按下这一组合键时，您都会跳到下一个选择。这些选择按顺序排列依次为：内置显示器，外部显示器，内置显示器及外部显示器。
	显示器角度和亮度设置不适合您的灯光条件。	移动显示和亮度控制，直至能完全看清楚。

问题	可能的原因	可能的解决方案
视频问题		
LifeBook 笔记本电脑打开时发出一串哔声，内置显示器为空白。	开机自检 (POST) 检测到不允许显示器再继续操作的故障。	请与服务中心联系。
在使用一段时间之后显示器自行进入空白状态。	由于您长时间没有使用，笔记本电脑已进入了视频超时、待机模式、暂停模式或保存至硬盘模式。	按键盘上的任一按钮，或移动一下鼠标以恢复操作。如果这样做不起作用，请按一下电源 / 暂停 / 恢复按钮。检查一下电源管理设置，或关闭应用程序，转到设置实用程序的 PowerSavings (节能) 菜单调整超时值，以更好地适合您的操作需要。
当系统接通电源后，或者当系统恢复后，系统显示不能开启。	系统可能受密码保护。	检查状态指示灯面板以确认安全图标是否正在闪烁。若正在闪烁，请输入密码。
内置显示器不能关闭。	有异物，如回形针卡在显示器与键盘之间。	取下键盘上的所有异物。
内置显示器有亮点或暗点。	如果这些点很小，而且数量也非常少，这对于大屏幕 LCD 显示器来说是正常的。	这是正常的，不需要执行任何工作。
	如果这些点很多也很大，已经对操作造成了干扰。	显示器有故障，请与服务中心联系。

问题	可能的原因	可能的解决方案
视频问题		
应用程序显示只使用部分屏幕，四周是黑框。	您正在运行的应用程序不支持 800 x 600/1024 x 768 像素分辨率全屏幕显示。	通过更改显示压缩设置您可以占满整个屏幕，但分辨率较低。 (请参阅 BIOS Advanced (高级) 菜单中的 Video Features (视频功能) 子菜单。) 启用视频压缩并按 (Fn) + (F5) 使屏幕以较低的 800 x 600 像素分辨率最大化至全屏显示。
使用电池电源时显示器很暗。	电源管理实用程序设置为低亮度以节约电能。	按 [Fn] + [F7] 增加亮度或双击电池标尺并调整电池设置下面的“电源控制”。
您连接了外部显示器，但它不显示任何信息。	BIOS 没有设置为启用外部显示器。	尝试通过同时按 [Fn] 和 [F10] 来切换视频目标，或检查 BIOS 设置，启用外部显示器。(请参阅 BIOS Advanced (高级) 菜单中的 Video Features (视频功能) 子菜单。)
	外部显示器安装不正确。	重新安装设备。
	您的操作系统软件没有使用该设备正确的软件驱动程序进行设置。	检查设备和操作系统说明文档，激活正确的驱动程序。
您连接了外部显示器，但它不显示任何画面。	外部显示器与 LifeBook 笔记本电脑不兼容。	请参阅显示器说明文档和“技术规格”部分“外部显示器支持”一节的内容。
其它问题		
在操作应用程序时屏幕上显示错误信息。	应用程序软件经常显示自己的一组错误信息。	请参阅应用程序手册和帮助显示屏幕以获得更多信息。并非所有信息都是错误，有些只是指示状态。

版權

富士通公司會盡力保證本文檔內容的準確性和完整性。但是，由於我們仍在不斷改進產品的功能，因此不能確保本文檔沒有任何差錯。對於文檔中錯誤、疏忽或以後的修改我們不承擔任何責任。

LifeBook 是富士通有限公司的商標。

Microsoft、Windows、MS、MS-DOS 和 Windows NT 是 Microsoft Corporation 在美國和其它國家或地區的註冊商標。

Phoenix 是美國 Phoenix Technologies Corporation 的註冊商標。

版權所有© 1981-1999 Microsoft Corporation，保留所有權利。

版權所有© 1999 Phoenix Technologies, Ltd., 保留所有權利。

其它所有產品是其各自公司的商標或註冊商標。

©版權所有 2005 Fujitsu，保留所有權利。未經富士通公司事先書面同意，嚴禁拷貝、複製或翻譯本出版物中的任何內容。未經富士通公司書面同意，嚴禁以任何電子形式存儲或傳輸本出版物中的任何內容。

本設備遵循 FCC 規則的第 15 部分。操作使用應符合以下兩項條件：

- (1) 本設備不能造成有害干擾。
- (2) 本設備必須能承受接收到的干擾，包括會造成意外操作的干擾。

網站：www.pc-ap.fujitsu.com



一致性聲明

根據 FCC 第 15 部分內容

重要安全說明

1. 請仔細閱讀這些說明，並保存起來以備以後參考。
2. 遵循本產品上標示的所有警告和指示。
3. 清潔之前先從牆上插座上拔下本產品的電源線。切勿使用液體或噴霧清潔劑。使用濕布進行清潔。
4. 不要在靠近水的地方使用本產品。
5. 不要將本產品放在不穩定的車輛、支架或桌子上。以免產品跌落，造成嚴重損壞。
6. 機殼上、背部和底部的槽口用於通風目的。為確保本產品的可靠運行，不至於出現過熱高溫，嚴禁堵塞和蓋住這些槽口。嚴禁將本產品放在床、沙發、地毯或其它類似表面上，從而造成這些槽口的堵塞。切勿將本產品靠近散熱器或電熱器，或放在它們的上面，也不要將本產品放在箱內，除非通風條件良好。
7. 只能按照標籤上註明的電源類型使用本產品。如果您不確定可用的電源類型，請諮詢經銷商或當地的電力公司。
8. 本產品配備有一個 3 線接地型插頭，這是一種有第三（接地）腳的插頭。此插頭只能插入接地型的插座。這是一種安全功能。如果您無法將插頭插入插座，請聯絡電工更換過時的插座。請勿破壞接地型插頭的功能。
9. 不要將任何物品壓在電源線上。本產品的電源線不應位於人們經常出入的地方。
10. 如果使用本產品需要延長電線，一定要確保接入延長電線上設備的額定安培總數不超過延長線的額定安培數。也要確保接入牆上插座上所有產品的總額定值不會超過 15 安培。
11. 嚴禁將任何物品通過機殼的槽口插入到本產品，這樣可能會碰到高壓部件，造成火災或電擊。切勿將任何液體洒到本產品上。
12. 不要嘗試自行維修本產品，打開或卸下護蓋可能會使您遭到電擊，或其它危險。請務必請專業的維修人員進行維修。
13. 如果出現以下情況，應從牆上插座拔下本產品的電源線，請專業的維修人員進行維修：
 - a. 電源線或插頭損壞或磨損。
 - b. 產品內濺入了液體。
 - c. 產品遭到雨淋或進水。
 - d. 正常操作情況下，產品運行不正常。只調整操作說明中介紹過的那些控制，因為不正確地調整其它控制可能會造成損壞，通常需要合格的技術人員花費更大的精力維修產品。
 - e. 產品跌落，或機殼損壞。
 - f. 產品性能出現明顯變化，需要進行維修。

-
14. **注意。更換電池時一定要確保電池裝入的極性位置正確。更換的電池類型不正確或處理不當，會有爆炸的危險。切勿對電池充電、拆解或投入火中。只應使用製造商建議的相同或同類電池更換。並按照製造商的說明處理用過的電池。**
 15. 只使用專供本裝置使用的正確類型的電源線組（附件箱中提供）。它應是可分開的類型：UL 認證 / CSA 認證，BS1363、ASTA、SS145 認證，額定 10A 250V 最小，VDE 認證或等同。最大長度為 15 英尺（4.6 米）。

UL 聲明

該裝置需要交流轉接器才能使用。並且只能使用獲得UL認證，額定輸出為 16VDC，3.75A 的 2 類轉接器。請參考以下示意圖以瞭解正確的交流轉接器輸出極性。



注意

- 為降低火災危險，只應使用 #26 號 AWG 或更大的通信電話線。

授權修理技術人員須知

注意

- 為防止火災的發生，只應使用相同類型和額定值的保險絲進行更換。

警告

- 如果鋰（CMOS）電池更換不當，會有爆炸的危險。只應使用相同的或製造商建議的同類電池進行更換。按照製造商的說明處理用過的電池。

正確處理電池

在聯邦、國家或地區法律中，將電池扔進垃圾箱或垃圾桶的處理方法是非法的。請保護我們的環境，並正確處理電池。關於回收或處理不想要的電池，請與當地政府權力機關協商。



廢電池請回收

在要求高安全性的場合使用時的注意事項

本產品系為一般應用領域設計和製造，包括一般辦公使用、個人使用、家庭使用和普通行業使用。

本產品不適合也不建議用於危險（致命）情況下，除非帶有極高的安全保障。

請勿在沒有採取高度安全措施的情況下使用本產品。

如果在以下任一種或任幾種環境中或附近使用本產品，請遵守本警告，否則可能導致死亡、人身傷害、嚴重物理損壞或其他損失：

- 核能設施中的核能反應控制系統
- 飛機或其他飛行控制系統中的自動飛行控制系統
- 大型運輸控制系統
- 用於生命維持系統的醫療儀器
- 用於武器系統的導彈發射控制

備份資料的注意事項

請將作業系統、所有軟體程式以及生成的檔案進行備份（並定期更新）。

如果您將本產品送往富士通或任何其附屬機構、供應商、服務提供商或零售商進行維修，富士通等對資料的完整性不作保證。事先對資料進行備份是您的責任。

如果您的資料由於任何原因而丟失，除非保固卡上寫出，否則富士通對於損壞、資料完整性或恢復等不承擔任何賠償義務。

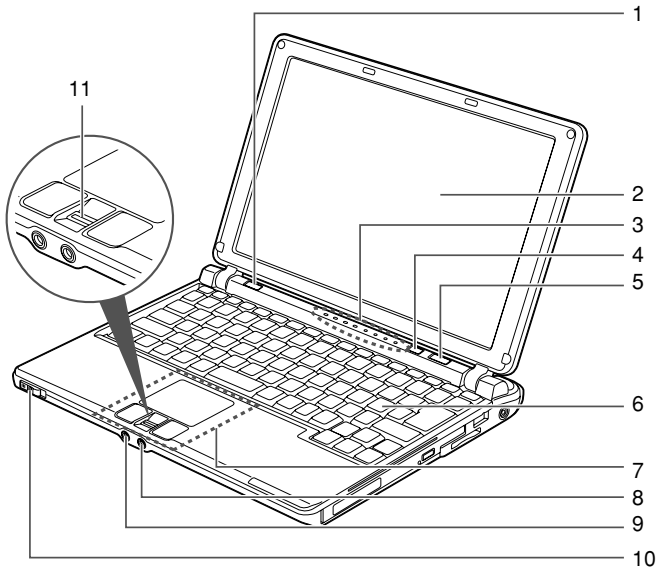
目錄

部件名稱及其功能	1
筆記本電腦前面功能配置	1
筆記本電腦左面 / 右面功能配置	3
筆記本電腦的頂部特征	5
筆記本電腦的底部特征	6
筆記本電腦的背面	7
操作狀態指示燈	8
靠電池運行筆記本電腦	11
電池充電	11
靠電池運行筆記本電腦	11
檢查電池的電量	12
電池電量不足狀態	13
端口替代物	14
連接端口替代物	15
分離端口替代物	16
使用指紋驗證	17
指紋驗證的特點	17
設置註冊資訊	18
在首頁上註冊登入資訊	18
使用指紋驗證登入到首頁	21

更改註冊資訊	22
儲存 / 讀取註冊資訊	25
設定視窗	28
電源	31
連接電源轉接器	31
開機	32
關機	32
更換內部電池組	33
增加記憶體	34
何處安裝記憶體	34
準備工作	34
安裝記憶體模塊	34
檢查記憶體容量	37
疑難解答	38
識別問題	38
具體問題	38
疑難解答表	39

註：

LifeBook 用戶說明書位於微軟 Windows 桌面和軟體驅動程式光盤上。您可以使用此 LifeBook 用戶說明書找到您的筆記本電腦的各種功能和特點的更詳細信息。



部件名稱及其功能

筆記本電腦前面功能配置

1. 無線開關

用來打開和關閉無線 LAN 通訊。
將開關撥到右邊可以打開它，拔到左邊可以關閉它。
在限制使用電子設備的地方，如醫院和機場，請關閉這個開關。在攜帶筆記本電腦時您也應關閉這個無線開關。
當筆記本電腦處於待機模式，可以隨時恢復操作時，使這個開關保持在打開狀態可能會造成攜帶過程中筆記本電腦意外恢復操作，並可能會造成硬碟驅動器故障。

2. LCD面板

筆記本電腦的顯示屏幕。

要點

- 下述現象是 LCD 面板的特點，並不表示 LCD 有缺陷。

關於 LCD 面板的特點

- 筆記本電腦的 TFT 彩色 LCD 由 2,350,000 多個圖形元素（屏幕解析度被設置為 1024 x 768 像素時的點數）或 2,940,000 多個圖形元素（屏幕解析度被設置為 1280 x 768 像素時的點數）組成，採用高科技製造。由於技術原因，您的 LCD 面板可能有一些像素不亮或有些像素一直亮，但這並不表示 LCD 面板有故障。
- 如果環境溫度有所變化，則 LCD 面板將顯示輕微的色彩變化和不均勻的密度。

3. 狀態指示 LED

此指示顯示與筆記本電腦特定部分相關的符號。

4. 省電按鈕

省電按鈕用於切換到省電模式。如果切換到省電模式，則將使用“省電”公用程式降低電量消耗。因而，使用電池進行操作的時間將會延長。您可以再按一次此按鈕重新切換到普通模式。

5. 暫停 / 恢復按鈕

用來打開和關閉筆記本電腦。此按鈕也可以讓您在關閉筆記本電腦電源的情況下使機器進入待機模式。從待機模式恢復也使用此按鈕。

6. 鍵盤

有專用 Windows 鍵的 82 鍵鍵盤。

7. 滑動滑鼠面板

用來操作滑鼠指針。

8. 麥克風插孔

用來連接可以從市場上買到的 3.5mm 迷你型插頭單聲道麥克風。

這種插孔不支援某些類型的麥克風（如動感麥克風），因此在購買麥克風之前應諮詢銷售人員。

9. 耳機插孔

用來連接可以從市場上買到的 3.5mm 迷你型插頭耳機。這種插孔與有些類型的電纜接口不相容，因此在購買耳機之前應諮詢銷售人員。

10. PC 卡彈出按鈕

按這個按鈕可以彈出 PC 卡。

11. 指紋驗證感應器 / 滾動按鈕*

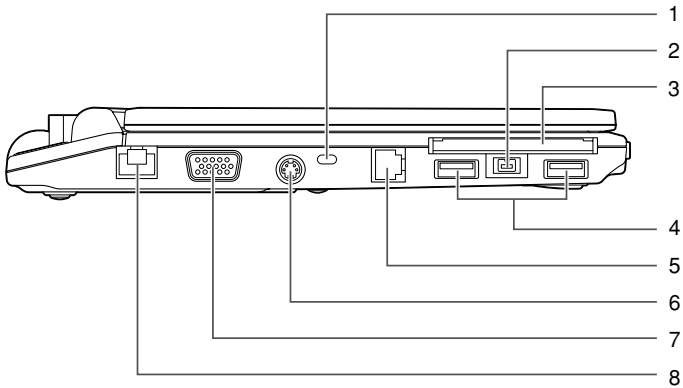
指紋驗證提供了一種可靠、快速、用戶界面友好的用於代替密碼的方法，而這些密碼需要用戶調用並輸入繁瑣且時常是大量的代碼組合。當瀏覽文件時指紋也可當成是滾動按鈕。

* 滾動按鈕

用於不帶指紋驗證感應器的機型，此按鈕用於窗口內文件的上下滾動。

要點

- 有些應用程式可能不允許您使用滾動按鈕上下滾動文件。



筆記本電腦左面 / 右面功能配置

■ 左面板

1. 防盜鎖

可使您安裝鎖鏈或其他器具以防止盜竊。

2. IEEE 1394 (DV) 端口

用來通過 DV 電纜將外設，如數位攝影機 (DVC) 連接到筆記本電腦。

3. PC 卡插槽

用來插入可選的 PC 卡。

4. USB 端口

用來連接相容 USB 標準的外設選件，如 USB 軟式磁碟機和 USB 印表機。

5. 數據機端口

可使您用隨機提供的 RJ11 電纜將筆記本電腦的內建數據機連接至電話線路插口。

6. 視訊輸入 (S-Video) 端子

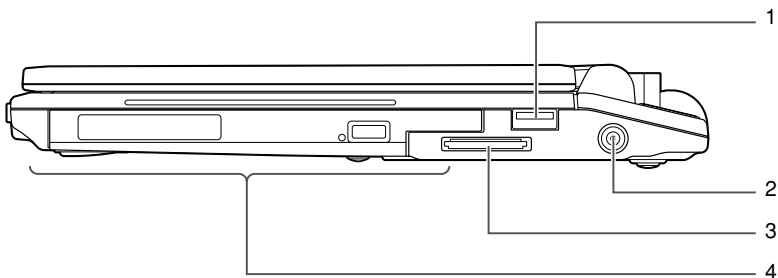
用於連接到外部視訊設備的 S-Video 輸出端口。

7. 外接顯示器端口

外接顯示器端口用於連接外部顯示器。

8. LAN 端口

可使您用選購的 LAN 電纜將筆記本電腦連接至 LAN (本地局域網路)。



■ 右面板

1. USB 端口

用來連接相容 USB 標準的外設選件，如 USB 軟式磁碟機和 USB 印表機。

2. 直流輸入插孔

在此端口插入隨機提供的交流轉接器以對筆記本電腦供電並給電池充電。

重要

- 在將一個外設插接到筆記本電腦上的一個端口時，先確定插頭插入的方向正確，然後再徑直插入到端口。

3. SD 卡 / xD 卡 / 記憶棒插槽

用來插入可選的 SD 卡 / xD 卡 / 記憶棒作為存儲設備使用。

4. 模塊插槽

您的筆記本電腦裝有一個能量交替裝置的模塊插槽，根據國家不同可能會有所差異。請向您當地經銷商查詢實際配置。這個裝置擁有所謂的能量交替是因為您可在沒有關閉筆記本電腦的情況下自由取出或裝入插槽。您可以用其他選購件更換已經安裝的能量交替裝置。選購件有個別出售。

重要

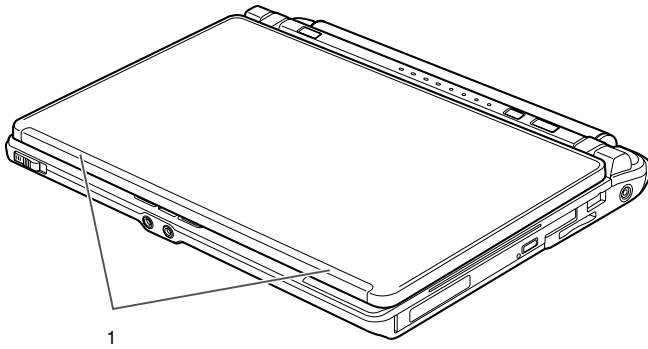
- 如果此 LifeBook 配有能讀取 DVD 標題的光碟機，則此光碟機的出廠預設為讀取帶有為亞太市場指定的地區代碼的 DVD 標題（例如，亞洲代碼為 3，澳洲代碼為 4，中國代碼為 6）。

重要

- 當首次播放帶有地區代碼的 DVD 標題時，而此代碼與 DVD 出廠設定地區代碼不同，則將會提醒您更改 DVD 光碟機的地區代碼。DVD 光碟機的地區代碼最多可更改 4 次，此後 DVD 光碟機將被鎖定，因此只能播放最後設定的地區代碼的 DVD 標題。

要點

- 請不要在多用槽空置的情況下使用筆記本電腦。這樣可能會造成筆記本電腦故障。



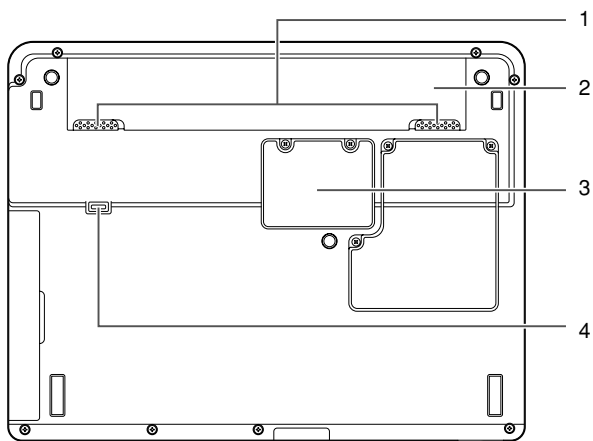
筆記本電腦的頂部特征

1. 內建無線 LAN*

雙無線 LAN 天線的位置。

註：

僅適用於帶有無線 LAN 天線的筆記本電腦。



筆記本電腦的底部特征

1. 內部電池組鎖

若要取出內部電池組，請滑動此鎖。

2. 內部電池組艙

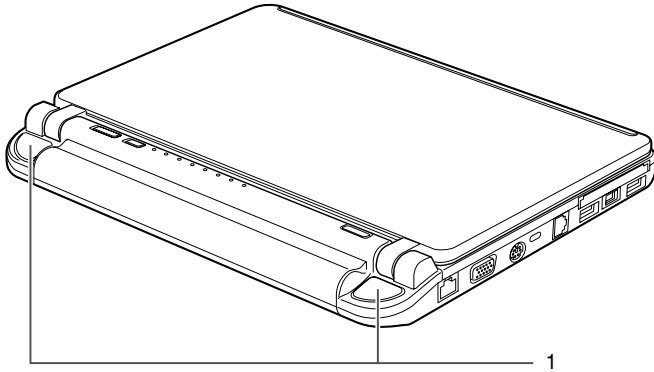
內部電池組所在位置。

3. 擴展 RAM 模組插槽

擴展記憶體插槽的位置。

4. 模塊插槽鎖

要取出模塊插槽時，移動槽鎖後再將插槽拉出。



筆記本電腦的背面

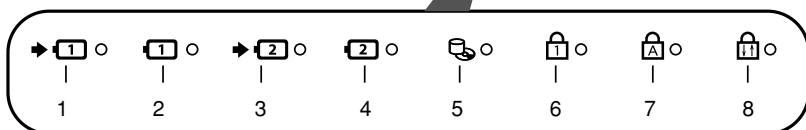
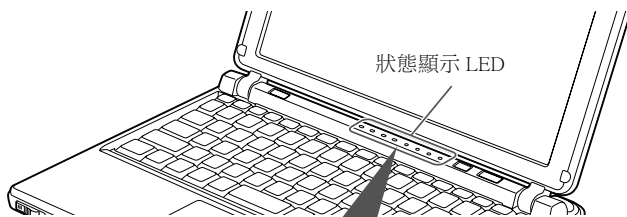
1. 揚聲器

揚聲器產生立體聲音。



要點

- 請勿用力壓揚聲器的格柵以免造成損壞。



操作狀態指示燈



要點

- 電源關閉時，除非正在進行充電，否則狀態顯示燈也全部關閉。

1. 內建電池組充電指示燈 (➡ 1)

此燈指示交流電源轉接器與電腦連接時，內建電池的充電狀態。

- **綠色燈亮起**
充電完成，或由於未安裝內建電池組而未在充電。
- **橙色燈亮起**
正在充電
- **橙色燈閃爍**
充電停止（由於電池溫度警告等 [注意 1]）
- **關閉**
由於未連接交流電源轉接器，未在充電。

2. 內建電池組電量指示燈 (1)

此燈指示內建電池組的剩餘電量。

- **綠色燈亮起**
剩餘電池電量：100% - 50% [注意 2]
- **橙色燈亮起**
剩餘電池電量：49% - 13% [注意 2]
- **紅色燈亮起**
剩餘電池電量：12% 或以下 [注意 2]
- **橙色燈閃爍**
正在測量剩餘電池電量（內建電池組安裝後持續 4 秒鐘）
- **紅色燈閃爍**
電池異常
- **關閉**
未連接內建電池組。

3. 擴展內建電池設備充電指示燈 (▶ [2])

此燈指示交流電源轉接器與電腦連接時，擴展內建電池設備的充電狀態。

- **橙色燈亮起**
正在充電
- **橙色燈閃爍**
充電停止（由於電池溫度警告等 [注意 1]）
- **關閉**
由於未連接交流電源轉接器，未在充電。

4. 擴展內建電池設備電量指示燈 ([2])

此燈指示擴展內建電池設備的剩餘電量。

- **綠色燈亮起**
剩餘電池電量：100% - 50% [注意 2]
- **橙色燈亮起**
剩餘電池電量：49% - 13% [注意 2]
- **紅色燈亮起**
剩餘電池電量：12% 或以下 [注意 2]
- **橙色燈閃爍**
正在測量剩餘電池電量（擴展內建電池設備安裝後持續 4 秒鐘）
- **紅色燈閃爍**
電池異常
- **關閉**
未連接擴展內建電池設備。

注意 1：

內建電池組或擴展內置電池設備的溫度由於電池的加熱或冷卻而過高或過低時，帶有電池保護功能的電池溫度警告使充電停止。

注意 2：

操作狀態或電池充電



要點

- 電源關閉時，如果安裝內建電池組或擴展內建電池設備，電池電量指示燈將以橙色閃爍，然後顯示 5 秒鐘當前剩餘電池電量。
如果未連接交流電源轉接器或電池已充滿，指示燈關閉，不指示任何內容。
- 待機模式時，如果未連接交流電源轉接器或電池已充滿，電池電量指示燈不亮但閃爍。閃爍間隔以 1 秒開 5 秒關循環。


5. 硬碟 / CD 存取指示燈 (📀)

當存取內建硬碟或 CD 時，此燈亮起。



要點

- 硬碟 / CD 存取指示燈亮起時操作 POWER 按鈕，可能會損毀硬碟中的數據。



6. 數位鎖定指示燈

數位鎖定指示燈表示內部鍵盤被設定在十鍵數位小鍵盤模式。

7. 大寫鎖定指示燈

大寫鎖定指示燈表示您的鍵盤被設定為輸入所有大寫字母。

8. ScrIk (滾動鎖定) 指示燈

滾動鎖定指示燈表示滾動鎖定已經啟用。

靠電池運行筆記本電腦 電池充電

1. 將交流轉接器連接至筆記本電腦。
2. 充電狀態指示燈點亮。
表示電池組是否正在充電。
3. 充電狀態指示燈變為綠色後，請斷開交流轉接器與筆記本電腦的連接。

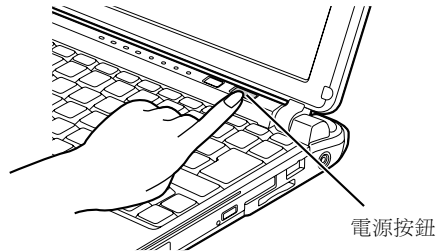
要點

- 購買後第一次使用隨機提供的電池組之前，或者電池超過一個月未充電時請對電池組重新充電。
- 若要對電池組完全充電，則一直充電到充電狀態指示燈變為綠色。
- 當電池已充電 90% 或更高時，則即使還連接著交流轉接器，它也不能再充電。當電量（或剩餘電池使用時間）為 89% 或更少時，電池組才可以重新充電。
- 如果在超高溫或超低溫情況下對電池充電，則電池組的可充電性會降低。
- 在電池運行後電池的溫度立即上升，電池保護功能會立即啟動，從而停止對電池充電。（如果發生這種情況，充電狀態指示燈閃爍橙色。）當電池溫度下降後，筆記本電腦自動重新對電池組進行充電。

靠電池運行筆記本電腦

若要靠筆記本電腦本身內部電池組運行筆記本電腦，請執行以下步驟。

1. 從筆記本電腦上斷開交流轉接器，然後按下電源按鈕啟動筆記本電腦。



要點

- 如果在寒冷的地方使用電池，則電池的使用時間會相應縮短。
- 電池長時間使用後，電池組的可充電性會隨之降低，並且其使用壽命也會相應縮短。如果電池很快耗盡，請更換新的電池。
- 電池溫度上升可能使筆記本電腦速度下降。如果發生上述情況，請將交流轉接器連接至筆記本電腦。

檢查電池的電量

當電源打開或電池組充電時，您可以通過工作列上顯示的電量等級來查看電池的電量。

要點

- 由於鋰電池特性的原因，在有些情況下（溫度條件、電池已充放電的次數等因素）電池電量指示燈可能不能正確指示電池已充好的電量。
- 當電池組已充電 90% 或更高時，則即使電腦上還連接著交流轉接器，它也不能再充電。當電量（或所剩的電池壽命）為 89% 或更低時，就可以重新對電池充電。

■ 電池溫度報警（充電狀態指示燈）

如果電池組變得很熱或很冷時，充電狀態指示燈閃爍橙色以表示電池保護功能已經被激活並停止了充電。當電池組溫度恢復正常時，充電狀態指示燈將會停止閃爍並變為橙色，筆記本電腦自動重新對電池組進行充電。

■ 電池故障報警（電量指示燈）

如果電池組無法正常充電，電量指示燈將閃爍紅色。

要點

- 如果電量指示燈閃爍紅色，請關閉筆記本電腦，然後取出並重新正確安裝電池組。如果電量指示燈仍然閃爍紅色且電池組已正確安裝，此為失效狀態或是電池壽命已到。請更換上新的電池組。

電池電量不足狀態

當電池放電到非常低的水平時，工作列上顯示的電量等級將發出表示電量很低的警告。如果發生這種情況，請立即將交流轉接器連接到筆記本電腦給電池充電。

要點

- 使用電量不足的電池可能會造成當前正在創建或保存的數據丟失。盡快將交流轉接器連接到筆記本電腦。如果沒有交流轉接器，請立即保存正在處理的數據，退出所有程式，然後關閉筆記本電腦。
- 讀寫硬碟上的數據需要大量電能。因此，當電池電量不足時，應先將交流轉接器連接到筆記本電腦，然後再讀寫硬碟上的數據。

要點

- 如果在一定的時間內電池電量很低，則將使筆記本電腦自動進入待機模式。然而，當正在讀寫硬碟上的數據時，筆記本電腦在完成讀寫數據之前不會進入待機模式。
- 預設情況下，筆記本電腦已配置為在電量剩下約 3% 時進入待機模式。
若要更改此項設定，請按照如下步驟操作：打開“Power Options Properties”對話框，單擊“Alarms”選項卡，然後在“低電池電量警告”部分中單擊“Low battery alarm when power level reaches”確認框 (變為)。
如果更改此項設定，將使筆記本電腦在電池耗盡時電源會被切斷。並可能導致正在儲存或創建的數據丟失或筆記本電腦產生故障。

端口替代物

端口替代物為選購項目。在有些國家的配置中可能作為附件。請向當地銷售商確認。

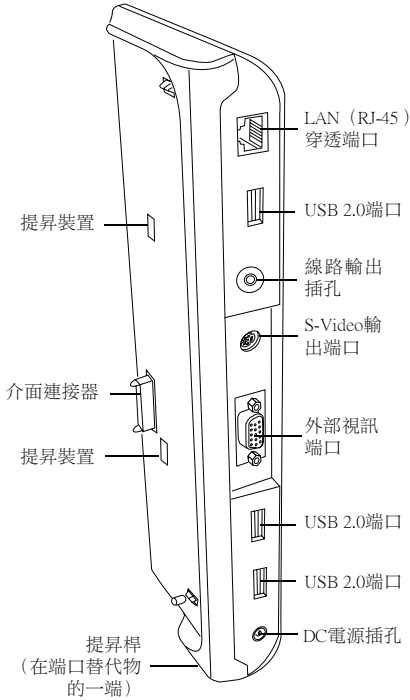


圖 1. 端口替代物功能

LAN (RJ-45) 插孔

LAN 端口用於連接 LAN (RJ-45) 電纜。請注意，當您的筆記本電腦對接在端口替代物上，則系統上的 LAN 端口將無法存取；與系統對接時，只有端口替代物 LAN 端口可以使用。

USB 2.0 端口

三個 USB 2.0 端口用於連接 USB 設備。

線路輸出插孔

線路輸出插孔用於連接外部喇叭等外部音訊設備。

S-Video 輸出端口

S-Video 輸出端口用於將高解析度視訊訊號傳送到相容電視機或錄影機。

外部視頻端口

外部視頻端口用於連接外部 CRT 監視器或投影機。

DC 電源插孔

DC 電源插孔用於插入交流轉接器以對筆記本電腦供電。

提昇桿/提昇裝置

端口替代物末端處的提昇桿可以用來抬起提昇裝置，以便於將系統向上微微推起，更容易取出。**請注意，這些提昇裝置不能將系統固定在端口替代物上，所以切勿試圖抓住端口替代物拿起系統。**

介面連接器

擴充端口將端口替代物連接至您的筆記本電腦。



切勿用端口替代物拿住系統。
端口替代物除了介面連接器與系統連接以外，與系統沒有任何連接。

連接端口替代物

端口替代物可以在筆記本電腦處於開啟、處於暫停模式、處於睡眠或電源關閉狀態下與筆記本電腦連接。若要連接端口替代物，請按照以下步驟操作：

1. 將筆記本電腦下面的端口替代物連接器與端口替代物頂部的連接器對準。
2. 向下按筆記本電腦與端口替代物牢固連接。

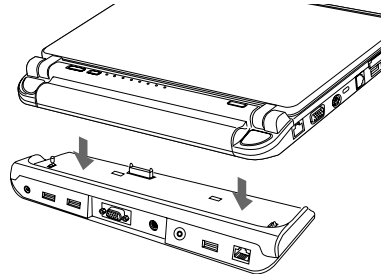


圖 2. 連接端口替代物

分離端口替代物

端口替代物可以在筆記本電腦處於電源開啟、暫停模式或電源關閉狀態下分離。

若要分離端口替代物，將筆記本電腦從端口替代物上向上筆直抬起。

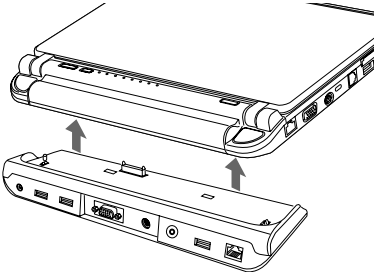


圖 3. 分離端口替代物

儘管不需要提昇裝置，但您也可以使用提昇裝置從端口替代物上抬起系統的底部，以便於取出系統。

若要使用提昇裝置（圖 1），請將端口替代物尾端的提昇桿從底部拉出（圖 4），直至系統微微抬起。

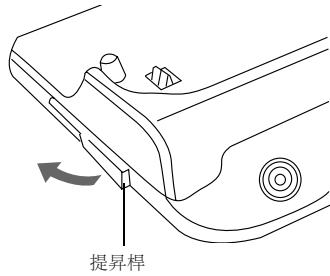


圖 4. 使用提昇裝置

使用指紋驗證

通過指紋驗證，您可無需輸入使用者名和密碼，只要將手指在指紋感應器上滑動就能登入到首頁或 Windows。本章介紹如何使用指紋驗證。若要使用指紋驗證，必須預先註冊使用者指紋。

注：

此功能僅適用於帶指紋感應器的 LifeBook。

若要使用指紋驗證，則必須註冊用戶指紋。

指紋驗證的特點

■ 指紋驗證可用于以下情況。

• 登入到 Windows

當 Windows 使用者帳戶有密碼保護時，只有知道密碼的人才能使用該帳戶登入到 Windows。可是，每次登入到 Windows 時，您都必須輸入密碼。

通過使用指紋驗證，您只要對已預先註冊的指紋進行驗證，就能登入到 Windows，這樣就無需輸入密碼。

• 從省電狀態恢復

如果電腦從省電狀態恢復時有密碼保護，每次電腦從省電狀態恢復時您都必須輸入密碼。

通過使用指紋驗證，您只要對已預先註冊的指紋進行驗證，就能從省電狀態恢復，這樣就無需輸入密碼。



無需輸入密碼。

通過對已註冊的指紋進行驗證，您可以登入到 Windows 或從省電狀態恢復。

• 取消有密碼保護的螢幕保護程式

如果螢幕保護程式有密碼保護，您可以鎖定電腦。但是，取消螢幕保護時，您必須取消鎖定。

通過使用指紋驗證，您只要對已預先註冊的指紋進行驗證，就能取消鎖定，這樣就無需輸入密碼。

• 登入需要輸入 ID（使用者名）和密碼的首頁

若要登入到有安全設定的首頁時，您可能需要輸入如 ID（使用者名）和密碼等登入資訊。

通過指紋驗證，如果特定首頁的登入資訊預先被儲存，您只要驗證指紋，就能登入到這些首頁。

輸入登入資訊的情況視首頁而定：直接在首頁內輸入或在特定的指示螢幕內輸入。無論哪一種情況，都可以用指紋驗證進行登入。

設置註冊資訊

在以下設置內設定註冊資訊。
若要使用指紋驗證，需要預先註冊使用者指紋。

■ 在指紋驗證上註冊資訊（使用者名和密碼僅為示例）

- **使用者名**
用於註冊指紋的使用者名。必須與用於登入到 Windows 的使用者名相同。
- **域**
顯示電腦的全名。
- **指紋**
指紋被註冊。
- **密碼**
用於註冊指紋的使用者密碼。必須與用於登入到 Windows 的密碼相同。
- **在首頁上的登入資訊**
預先註冊一個 ID（使用者名）和密碼，就能僅通過驗證指紋瀏覽需要輸入 ID（使用者名）和密碼的首頁。

在首頁上註冊登入資訊

若要登入到有安全設定的首頁，您可能必須輸入如 ID（使用者名）和密碼等登入資訊。
通過指紋驗證，如果特定首頁的登入資訊預先被儲存，您只要在指紋感應器上滑動手指，就能登入到這些首頁。

■ 在首頁上註冊登入資訊


1. 顯示一個您想要註冊登入資訊的首頁。
2. 輸入登入資訊。
 - 直接在首頁內註冊登入資訊時切勿按“Log-in”等按鈕。




- 在特定螢幕內輸入登入資訊時切勿按“OK”按鈕。



3. 右擊螢幕右下角通告區內的 OmniPass 圖示

，然後按一下“記錄密碼”。

滑鼠指針變為 。



4. 滑鼠指針變為 後，按一下步驟 2 中輸入登入資訊的地方。

出現“OmniPass-易記名稱”視窗。

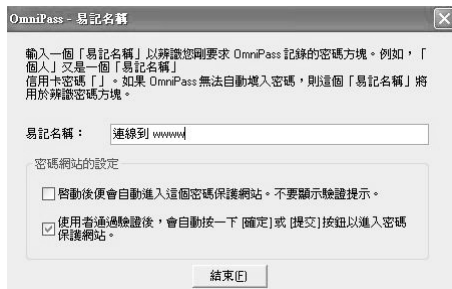
- 直接在首頁內註冊登入資訊時按一下輸入使用者名和密碼的地方。



- 在特定螢幕內輸入登入資訊時按一下輸入螢幕。



5. 在“OmniPass-易記名稱”視窗內輸入登入資訊的名稱。



6. 按一下“結束”。

註冊登入資訊完成。在這裡設定的首頁可以通過驗證註冊的指紋進行驗證，而無需輸入使用者名和密碼。

■ 管理首頁上的登入資訊

用指紋驗證登入到首頁的資訊可以在以下螢幕中進行管理。

1. 依次按一下“開始”，“所有程式”，“Softex”和“OmniPass control center”。

出現“OmniPass control center”視窗。

2. 按一下“保險庫管理”

出現“Vault access authentication”視窗。



3. 在指紋感應器上滑動任一已註冊指紋的手指。

指紋驗證成功時，將出現“管理 ID”視窗。



4. 選擇使用者名，然後按一下“管理密碼”。
出現“密碼管理”視窗。



5. 登入資訊顯示在“密碼保護對話方框”內。

若要更改登入資訊，必須註冊登入資訊。選擇您要更改的登入資訊名稱，按一下“刪除頁面”。然後登入資訊被刪除之後，對要註冊的登入資訊進行註冊。



使用指紋驗證登入到首頁

通過指紋驗證，您只要將手指在指紋感應器上滑動就能登入到有安全設定的首頁。有關如何在首頁上註冊登入資訊，請參閱“在首頁上註冊登入資訊”。

■ 在首頁上註冊登入資訊

1. 顯示一個已註冊如ID（使用者名）和密碼等登入資訊的首頁。
出現“Access authentication”視窗。
2. 在指紋感應器上滑動任一已註冊指紋的手指。
驗證指紋成功時，將自動登入到首頁。

更改註冊資訊

本章介紹如何更改用於使用指紋驗證的已註冊資訊。

重要

- 完成指紋驗證的註冊後，切勿更改用於登入 Windows 的使用者名和設定至指紋驗證登入資訊的使用者名。

• 註冊資訊

註冊資訊包括一個使用者名、一個密碼、一個指紋和在首頁上的登入資訊。註冊資訊更新後，在重新註冊之前請刪除所有如使用者名和密碼等註冊資訊。

但是，新增新指紋或新增 / 刪除首頁的登入資訊時，不必刪除指紋驗證的註冊資訊。

• 使用者名

切勿更改使用者名。

• 密碼

當用於登入 Windows 的密碼被更改時，必須將指紋驗證的註冊資訊的設定密碼更改為與更改後的登入 Windows 的密碼相同。當指紋驗證的註冊資訊的設定密碼被更改時，重新註冊之前請刪除所有指紋驗證的註冊資訊。

• 指紋

可以新增註冊的指紋數。若要刪除已經註冊的指紋，必須在重新註冊之前刪除所有指紋驗證的註冊資訊。

• 首頁上的登入資訊

首頁上的登入資訊被更改時，重新註冊之前必須刪除已註冊的登入資訊。在這種情況下，不必刪除指紋驗證的註冊資訊。

■ 刪除指紋驗證的註冊資訊

1. 依次按一下“開始”，“所有程式”，“Softex”和“OmniPass control center”。
出現“OmniPass control center”視窗。
2. 按一下“從OmniPass移除使用者”。
出現“Log-in user authentication”視窗。



3. 在指紋感應器上滑動任一已註冊指紋的手指。

指紋驗證成功後，出現“User delete confirmation”視窗。



4. 按一下“確定”。

顯示“A user has normally been deleted”資訊。

指紋驗證的註冊資訊已被刪除。

■ 新增註冊資訊到指紋驗證

1. 按一下“新增使用者到 OmniPass”。

出現“驗證使用者名稱和密碼”視窗。不顯示“OmniPass control center”時，依次按一下“開始”按鈕 -> “所有程式” -> “Softex” -> “OmniPass control center”。



2. 輸入與登入Windows相同的密碼，按一下“下一步”。

出現“Select finger”。切勿更改使用者名和域。



3. 選擇一個已註冊指紋的手指，按一下“Next”。

出現“指紋驗證”視窗。



4. 在指紋感應器上滑動手指以確認指紋被提取。“Fingerprint confirmation”完成時，按一下“OK”。

執行“指紋驗證”三次。“指紋驗證”三次都成功後，在指紋感應器上再次滑動手指進行“指紋確認”。



5. 顯示“Recommend to register another finger”時，按一下“Yes”。

出現“Select finger”視窗。

6. 重複步驟 3 到 5，註冊另一個手指的指紋。

出現“Setting up audio and task bar”視窗時，執行步驟 7。

7. 按一下“Setting up audio and task bar”視窗中的“OK”。

出現“OmniPass user account has been created”視窗。

8. 按一下“Complete”。

9. 顯示“Do you log on for a new user”資訊時，按一下“Yes”。

再次出現“OmniPass control center”。

10. 按一下“OK”。

“OmniPass control center”視窗被關閉。

指紋驗證的重新註冊已完成。

儲存 / 讀取註冊資訊

使用者名和密碼，曾被註冊的指紋和首頁登入資訊等資訊可以一並儲存。建議您儲存註冊資訊以免註冊資訊被錯誤刪除。

■ 儲存註冊資訊

1. 依次按一下“開始”，“所有程式”，“Softex”和“OmniPass control center”。出現“OmniPass control center”視窗。
2. 按一下“匯入 / 匯出使用者”。出現“匯入 / 匯出使用者”視窗。



3. 按一下“匯出OmniPass使用者設定”。出現“Authentication of user export”視窗。



4. 驗證已註冊指紋。

指紋驗證成功時，將出現“Save users that have been exported by providing a name”視窗。



5. 輸入要儲存的註冊資訊名稱，按一下“儲存”。

顯示“User export has been completed.”的資訊。
以儲存在“我的文件”資料夾為例。要儲存的註冊資訊可以任意取名。



6. 在“User export has been completed”資訊中按一下“OK”。



使用者的導出完成，且註冊資訊被儲存。

■ 讀取註冊資訊。

要點

- 若沒有使用者註冊指紋驗證，則在啟動電腦時顯示“OmniPass 註冊精靈”視窗。當導入註冊資訊時，按一下“取消”。

1. 依次按一下“開始”，“所有程式”，“Softex”和“OmniPass control center”。

顯示“OmniPass control center”視窗。

2. 按一下“匯入 / 匯出使用者”。

顯示“匯入 / 匯出使用者”視窗。



3. 按一下“匯入新使用者到 OmniPass”。

顯示“Open files to import users”視窗。



4. 選擇已儲存的註冊資訊，並按一下“開啟”。

顯示“OmniPass import user”視窗。



5. 輸入使用者名，域和密碼，然後按一下“下一步”。

顯示“User import of OmniPass has been completed”資訊。

輸入同用於登入Windows相同的使用者名和密碼。



要點

● 如何確認域

用於設定指紋驗證的註冊資訊的“Domain”可以通過下列步驟檢測。

1. 按一下“開始”。
2. 右擊“我的電腦”，並按一下顯示的選單中的“內容”。
顯示“系統內容”視窗。
3. 按一下“電腦名稱”標籤。
4. 已被設定至“完整的電腦名稱”的名稱為“Domain”。

6. 按一下“確定”。

7. 重新啟動您的電腦。

重新啟動電腦能夠使已經被讀取（導入）的註冊資訊有效。

設定視窗

指紋驗證設定可用“OmniPass control center”更改。

■ 如何啟動“OmniPass control center”

按照下列步驟啟動“OmniPass control center”。

1. 依次按一下“開始”，“所有程式”，“Softex”和“OmniPass control center”。

“OmniPass control center”啟動。

■ 使用者管理

• 新增和刪除使用者

使用指紋驗證的使用者可以被新增和刪除。
“Change registration information”

• 使用者導入 / 導出

已設定的使用者資訊可以被儲存（導出），或已儲存的使用者資訊可以被讀取（導入）。

“Save/Read registration information”

■ 使用者設定

• 音頻

當使用的指紋驗證被設定時，聲音從電腦中傳出。

• 顯示工作列提示

此設定用於當登入Windows時，在桌面右下角的通告區顯示  OmniPass圖示資訊。

• 註冊

除已被註冊的指紋之外，新的指紋可以被新增和註冊。



■ 系統設定

• 啟動選項

可用指紋驗證登入 Windows 或停止使用指紋驗證。



■ 內部信息管理

管理登入首頁的資訊。當顯示此設定螢幕時，已經註冊的指紋將被驗證。

“在首頁上註冊登入資訊”

• ID管理

管理登入首頁的使用者 ID (使用者名)。

• 密碼管理

管理通過指紋驗證登入首頁的使用者名和密碼。若要改變登入資訊，則刪除登入資訊一次，然後重新註冊。



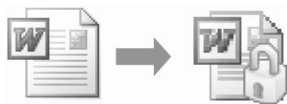
■ 加密和解密

允許用指紋感應器對檔案和整個資料夾加密。



■ 檔案和資料夾加密

為了對檔案或資料夾加密，按一下要加密的資料夾或檔案，然後按一下滑鼠右鍵，選擇“Omnipass Encrypt File(s)”。Omnipass 將在所選擇的檔案上執行加密。若要解密，則按一下此檔案，然後按一下滑鼠右鍵選擇“Omnipass Decrypt File(s)”。Omnipass 將對檔案解密進行觀看。



請注意，Windows 中的某些檔案和資料夾可能無法加密。

更詳細信息，請參閱 LifeBook 中的 Omnipass 說明檔案。

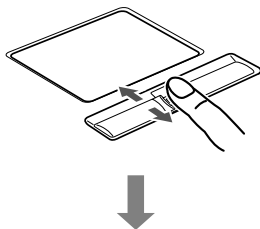
■ 版本資訊

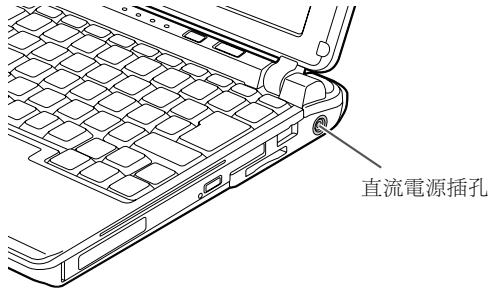
顯示指紋驗證實用程序的版本資訊。



■ 滾動

指紋感應器帶有滾動功能。利用感應器技術，使用者只要向前推動手指向上滾動，向下推則向下滾動，即可向上或向下滾動文件。





電源

連接電源轉接器

交流轉接器為操作筆記本電腦提供電源，並對電池充電。

連接交流轉接器

1. 將直流輸出電源線插入筆記本電腦的直流電源插孔。
2. 將交流轉接器插入交流電源插座。



要點

在購買時鋰離子電池未充電。在第一次使用時請記住將交流轉接器連接到筆記本電腦對電池充電。

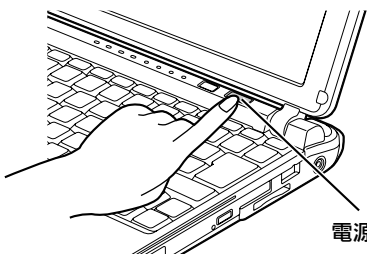
開機

電源 / 暫停 / 恢復按鈕

您可以使用電源 / 暫停 / 恢復按鈕開啟您的筆記本電腦。一旦您連接了交流轉接器或已經完成內部鋰離子電池充電，您就可以開啟筆記本電腦。

要點

當您打開筆記本電腦時，必須確保筆記本電腦已連接了電源。這表示至少要安裝一塊電池並已經充電，或者連接交流轉接器且接通電源。



您可以按電源 / 暫停 / 恢復按鈕關閉您的筆記本電腦。當您結束使用筆記本電腦後，您可以使筆記本電腦停留在待機（如暫停）模式或關閉電腦筆記本電腦。

注意

切勿將筆記本電腦在電源開啟情況下到處移動。且勿使筆記本電腦受到衝擊或震動，否則會損壞您的筆記本電腦。

當筆記本電腦開啟後，為了能正常操作，筆記本電腦將執行開機自檢（POST）以檢查內部部件和配置。如果發現故障，筆記本電腦將發出聲音警告和 / 或顯示錯誤信息。當開機自檢（POST）順利完成後，筆記本電腦將開始載入作業系統。

關機

關閉電源之前，請確認硬碟、DVD、CD-ROM、CD-RW 和 PC 卡指示燈都已熄滅。如果在筆記本電腦正在存取磁盤或 PC 卡時關閉筆記本電腦，則可能丟失或損壞數據。關閉筆記本電腦時應始終採用 Windows 關機程式正確關閉筆記本電腦。

注意

在使用電源按鈕關閉電源之前應牢記先關閉所有文件，結束所有應用程式，關閉作業系統。如果筆記本電腦電源關閉時正在操作文件，則數據可能丟失，並可能導致磁盤出現錯誤。

請記住使用正確的程式關閉筆記本電腦。正確的程式如下：

1. 單擊開始功能表，然後單擊關機按鈕。
2. 在 Windows 關機對話框中選擇關機選項。
3. 單擊確定關閉筆記本電腦。

更換內部電池組

警告

- 更換內部電池組之前應確保關閉筆記本電腦。不要接觸筆記本電腦或電池組上的任何端子。否則，您可能會觸電或筆記本電腦可能會突然關閉。

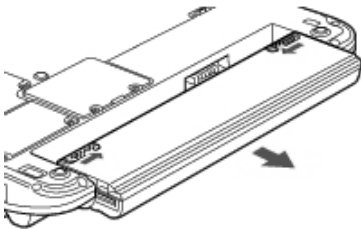
更換內部電池組

1. 關閉筆記本電腦。
2. 關上 LCD 面板，將筆記本電腦面朝下放置。

重要

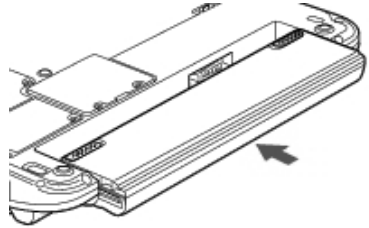
- 當心地關上 LCD 面板以免撞擊。否則將會損壞 LCD 面板。

3. 按照箭頭方向將鎖鉤向前推住不放，取出內部電池組，直至電池組從連接器中脫離。



4. 安裝新電池組。

牢固插入電池組直到您聽見喀嗒聲。



重要

- 取出內部電池組後，必須採取措施防止電池短路，例如，用絕緣膠帶封住電池的連接端子。取出內部電池組後，切勿將其與其它類型的電池混在一起。內部電池組（鋰離子電池）含有貴重的資源。因此，您應該盡可能將廢棄的電池組作為可回收材料處置。

增加記憶體 何處安裝記憶體

您的筆記本電腦有擴充 RAM 模塊槽（槽 2），用於新增記憶體模塊。
筆記本電腦記憶體容量最大可以擴充到 2 GB（1 GB x 2）。

準備工作

● 十字螺絲刀

請使用適當大小的螺絲刀卸下蓋子上的螺絲。否則會損壞螺絲頭。

● 要點

- 記憶體模塊配置表。
下表為筆記本電腦中可以安裝的記憶體組合。

安裝除以下表中記憶體組合之外的其它記憶體組合會削弱筆記本電腦的功能。

總容量	槽 1	槽 2
256 MB	256 MB	
384 MB	256 MB	128 MB
512 MB	256 MB	256 MB
768 MB	256 MB	512 MB
1 GB	512 MB	512 MB
2 GB	1 GB	1 GB

安裝記憶體模塊

若要安裝記憶體，請執行以下步驟。

● 警告

- 安裝任何記憶體模塊之前，請記住關閉筆記本電腦，並斷開交流轉接器。
- 將外蓋、金屬罩和螺絲等小物件放在小孩和兒童無法接觸到的地方。萬一吞如這些小物件則可能導致窒息。一旦發生上述意外，請立即就醫。

● 注意

- 筆記本電腦長時間開啟時記憶體插槽周圍的一些組件溫度會非常高。
為避免燙傷，請不要在關機之後立即安裝或取出記憶體模塊，而應等到內部組件冷卻之後再進行操作。
- 安裝或取出記憶體時，必須拿住它的邊緣，並小心不要碰到任何部件和 IC。
- 記憶體是由對人體靜電很敏感的材料製成。在拿記憶體之前，應始終先觸摸金屬物，使您身上的靜電得以釋放。
- 開始安裝或取出記憶體模塊之前，請記住先關閉筆記本電腦。當取出記憶體時如果筆記本電腦處於待機或睡眠模式，則數據可能丟失或損壞。另外還會損壞記憶體模塊。

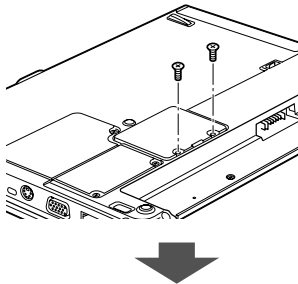
1. 關機後從筆記本電腦上斷開交流轉接器。
2. 關閉 LCD 面板，然後將筆記本電腦翻轉放置。
3. 取出內部電池組。

要點

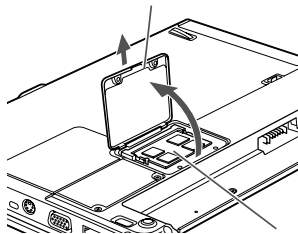
- 為避免損壞，請不要隨意接觸內部組件。
- 為避免損壞，注意不要將卸下的螺絲或其它小物件跌落到筆記本電腦內。

4. 關閉 LCD 面板，然後將筆記本電腦倒放過
5. 擰下螺絲（兩個）以便拆下擴充 RAM 模塊槽蓋。

按兩箭頭方向翻開擴充 RAM 模塊槽蓋並將其拆下。



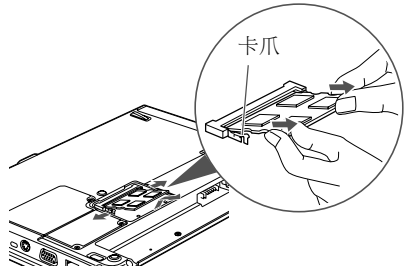
擴充 RAM 模塊槽蓋



槽 1

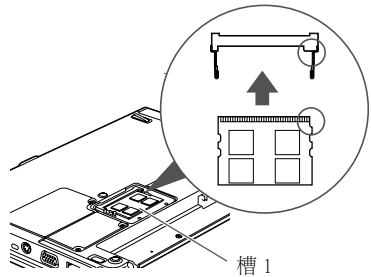
6. 取出記憶體。

如果兩側固定記憶體的卡爪向兩旁分開，則可以將記憶體稍稍向上抬起。請從槽中將記憶體向上斜向拉出。



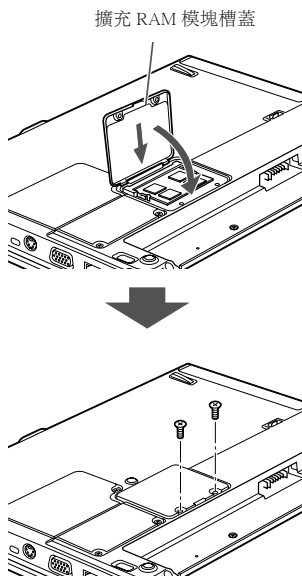
7. 安裝記憶體

將記憶體的缺口與連接口的突出部分對齊，然後，斜向從上方插入記憶體並按下，直到發出喀喀聲。



8. 裝上擴充 RAM 模塊槽蓋。

重新裝上在步驟 5 和步驟 6 中拆下的蓋子。



9. 安裝內建電池組。

與“更換內建電池組”的步驟4相同。

要點

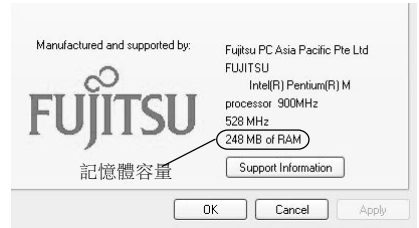
- 如果在步驟 3 中取出了擴充內建電池設備（附件），請重新將其裝上。

檢查記憶體容量

重要

- 如果記憶體安裝不正確，則開啟筆記本電腦時將顯示錯誤信息“Expansion memory error”。如果出現此類信息，請關閉筆記本電腦，取出記憶體模塊然後重新安裝。

1. 開啟筆記本電腦。
2. 單擊“開始”按鈕並選擇“控制台”。出現“控制台”窗口。
3. 單擊“效能及維護”，然後單擊“系統”。出現“系統內容”對話框。
4. 檢查下圖圓圈內的數位值是否增加了您添加的記憶體大小。



在本例中安裝了 256 MB 記憶體。

* 筆記本電腦內部需要使用 8 MB 記憶體，因此記憶體容量要小於此窗口中顯示的實際安裝的記憶體容量。

5. 單擊“確定”。
“性能和維護”窗口會再次出現。

要點

- 如果顯示的數值與筆記本電腦的記憶體容量不相符，則檢查剛安裝的記憶體模塊。

疑難解答

這款 Fujitsu LifeBook 筆記本電腦經久耐用，實際使用中很少發生問題。但是，您可能遇到一些能當場解決的簡單設置或操作問題，或者遇到可通過更換設備便能解決的週邊設備中的問題。這一部分中的信息幫助您找出和解決其中一些簡單的問題，以及識別需要維修的故障。

識別問題

如果遇到問題，請在尋求複雜的解決辦法之前，先執行以下步驟：

1. 關閉 LifeBook 筆記本電腦。
2. 確定交流轉接器已插接到筆記本電腦，並且已接入到通電的交流電源。
3. 確定 PC 卡插槽中安裝的所有卡都正確到位。您也可以從插槽中取出卡，從而排除由它引起故障的可能。
4. 確定外部接口上連接的所有設備都正確連接。您也可以斷開這些設備，從而排除由它們引起故障的可能。
5. 打開 LifeBook 筆記本電腦。在打開隻前應確保已經關閉了至少 10 秒鐘。
6. 完成引導過程。
7. 如果問題沒有解決，請參閱隨後的“疑難解答表”，以獲得有關疑難解答信息的詳細說明。

要點

如果您對您所做的嘗試作記錄，客戶支援代表通過電話也許會更快地向您提出更多的建議。

8. 如果通過疑難解答表中建議的方法不能解決問題，請和客戶支援代表聯絡。

在電話聯絡之前，請準備好提供下列信息，這樣客戶支援代表就會盡可能最快地為您提供解決方法：

- 產品名稱
- 產品設置號
- 產品系列號
- 購買日期
- 在何種情況下產生問題
- 顯示的錯誤信息
- 硬體設置
- 若連接週邊設備，請說明設備的類型

關於設置號和系列號，請查看 LifeBook 筆記本電腦底部的設置標籤。

具體問題

使用疑難解答表

當您遇到 LifeBook 筆記本電腦出現問題時，請嘗試在疑難解答表的“問題”一欄中找出問題症狀。在“可能的原因”下面，您可以找到該症狀常見原因的說明。按照“可能的解決方案”一欄的說明解決問題。並非所有可能的原因或解決方案都適用於您的 LifeBook 筆記本電腦。

疑難解答表

問題	可能的原因	可能的解決方案
音頻問題		
內建揚聲器不發出聲音。	軟體音量控制設置得太低。	調整軟體、作業系統和應用程式中的音量控制設置。
	耳機插入到了筆記本電腦。	插入耳機會禁用內建揚聲器，請取下耳機。
	BIOS 音頻設置不正確。	在 Multimedia Device Configuration (多媒體設備配置) 功能表中將 BIOS setup 實用程式設置為預設值。
	軟體驅動程式配置不正確。	請參閱應用程式和作業系統說明文檔以獲得幫助。
	揚聲器已經用系統托盤上的音量圖示設置為靜音。	單擊屏幕右下角工具托盤內的音量圖示 (此圖示看上去像一個揚聲器)。 如果靜音方框被選中，則單擊此方框取消選中。
光驅問題		
LifeBook 筆記本電腦無法識別 DVD/CD-RW/CD-ROM	保護層仍然留在光驅托盤中。	移去保護層並重新在托盤中裝入 DVD/CD-RW/CD-ROM。
	DVD/CD-RW/CD-ROM 沒有按入到驅動器中央的凸緣上。	打開媒體托盤，重新正確安裝 DVD/CD-RW/CD-ROM。
	媒體托盤沒有鎖閉。	推媒體托盤的前端，直至其卡鎖。
	安裝的 DVD 播放器不正確，或沒有安裝 DVD 播放器。	安裝 DVD 播放器軟體。
	錯誤的驅動器標誌符用於了應用程式中的 DVD/CD-RW/CD-ROM。	檢查應用程式使用的驅動器標誌符與作業系統使用的相同。 當作業系統從 DVD/CD 引導時，驅動器標誌會自動調整。

問題	可能的原因	可能的解決方案
光驅問題		
LifeBook 筆記本電腦無法識別 DVD/CD-RW/CD-ROM	Windows DVD/CD-RW/CD-ROM 自動插入功能被禁用。	從桌面或應用程式軟體啟動 DVD/CD-RW/CD-ROM，或重新啟用 Windows DVD/CD-RW/CD-ROM 自動插入功能。
(續)	DVD/CD-RW/CD-ROM 太髒或有問題。	使用不含研磨劑的清潔布擦拭 DVD/CD-RW/CD-ROM，然後重新插入。如果仍然不行，請在驅動器中試用其它光盤。
當托盤中沒有安裝 DVD/CD-RW/CD-ROM 時，或者未安裝光驅時狀態指示燈面板上的 DVD/CD-RW/CD-ROM 訪問指示燈定時閃爍。	Windows DVD/CD-RW/CD-ROM 自動插入功能是活動狀態，正在檢查 DVD/CD-RW/CD-ROM 光盤是否可以運行。	這是正常現象。但是，您可以禁用這項功能。

問題	可能的原因	可能的解決方案
硬碟驅動器問題		
不能訪問硬碟驅動器。		修改 BIOS 設置以正確設置 PrimaryMaster 和 Primary Slave。
	當可引導 CD-ROM 用來啟動筆記本電腦時，應用程式使用了錯誤的驅動器標誌符。	檢查應用程式使用的驅動器標誌符也在由作業系統使用。當作業系統從光盤引導時，驅動器標誌符會自動調整。
	設置了安全功能，如果不輸入密碼，就不能啟動作業系統。	檢查您的密碼和安全設置。
鍵盤或滑鼠問題		
內建鍵盤好象不工作。	筆記本電腦進入了暫停模式。	按一下電源 / 暫停 / 恢復按鈕。
	應用程式鎖定了鍵盤。	嘗試使用集成的指點設備重新啟動系統。
您安裝了外部鍵盤或滑鼠，但它們好象不工作。	外部設備安裝不正確。	重新安裝設備。
	您的作業系統軟體沒有使用該設備正確的軟體驅動程式進行設置。	檢查設備和作業系統說明文檔，激活正確的驅動程式。
您連接了外部鍵盤或滑鼠，但它們好象鎖定了系統。	您的作業系統軟體沒有使用該設備正確的軟體驅動程式進行設置。	檢查設備和作業系統說明文檔，激活正確的驅動程式。
	您的系統已崩潰。	嘗試重新啟動筆記本電腦。

問題	可能的原因	可能的解決方案
記憶體問題		
BIOS setup 實用程式 信息功能表沒有顯示 安裝的正確記憶體量。	記憶體升級模塊安裝不 正確。	取出後重新安裝記憶體升級模塊。
	記憶體出現故障。	檢查開機自檢 (POST) 信息。
數據機問題		
關於數據機操作的信息。	關於數據機操作的信息由正在使用的數據機應用程式產生。	請參閱您的應用程式軟體說明文檔，以獲得更多信息。

問題	可能的原因	可能的解決方案
PC 卡問題		
PC 卡插槽中插入的卡不工作，或鎖定了系統。	卡安裝不正確。	卸下後重新安裝該卡。
	該卡可能是在應用程式正在運行時安裝的，因此，筆記本電腦不知道它已經安裝。	關閉應用程式後重新啟動筆記本電腦。
	您的軟體可能沒有正確的軟體驅動程式可用。	請參閱軟體說明文檔，激活正確的驅動程式。
	您可能為啟用的 PC 卡選擇了錯誤的 I/O 地址。	請參閱 PC 卡說明文檔以判斷要求的 I/O 地址。更改 BIOS 中的設置。
	您的 PC 卡設備和另一個設備被分配了相同的 I/O 地址。	檢查 BIOS setup 實用程式和其它所有安裝的硬體或軟體內所有的 I/O 地址，確定沒有相同的。
電源故障		
您打開了 LifeBook 筆記本電腦，但好象沒有任何反應。	安裝的主電池已完全放電，沒有安裝可選的第二個電池，或者沒有安裝電源轉接器（交流轉接器）。	檢查狀態指示燈面板以判斷有無電池以及電池的狀況。安裝充電的電池或電源轉接器。
	主電池已安裝，但發生故障。	使用狀態指示燈面板檢查有無電池以及電池的狀況。如果電池指示發生短路，請卸下該電池，使用另一個電源操作，或更換電池。
	電池電量不足。	檢查狀態指示燈面板以判斷有無電池以及電池的狀況。使用電源轉接器操作，直至電池充電，或安裝充電的電池。
	電源轉接器（交流轉接器）插接不正確。	檢查轉接器安裝正確。

問題	可能的原因	可能的解決方案
電源故障		
您打開了 LifeBook 筆記本電腦，但好象沒有任何反應。	電源轉接器（交流轉接器）所連接的交流插座沒有電源。	將交流電源線插到另一個插座上，檢查一下交流插座的線路開關或觸發電路斷路器是否已打開。
（續）	電源轉接器（交流轉接器）發生故障。	試用一下其它電源轉接器，或安裝充電的可選第二個電池。
您的 LifeBook 筆記本電腦自行關機。	電源管理參數被設置為自動超時，但這個時限太短，不符合操作的需要。	按鍵盤上的任一按鈕，或移動一下滑鼠以恢復操作。如果這樣做不起作用，請按一下電源 / 暫停 / 恢復按鈕。檢查一下電源管理設置，或關閉應用程式，轉到 Power Options 功能表調整超時值，以更好地適合您的操作需要。
	您現在只靠電池電源進行操作，並且忽略了電池電量不足警告，直至電池最終耗盡，電腦進入了電池耗盡暫停模式。	安裝電源轉接器或已充電的電池，然後按電源 / 暫停 / 恢復按鈕。
	發生電池故障。	使用狀態指示燈面板檢查電池狀況，更換或卸下短路的電池。
	電源轉接器發生故障，或斷掉電源。	確定轉接器已插接到帶電的插座。
您的 LifeBook 筆記本電腦不能單獨靠電池工作。	安裝的電池已耗盡電量。	使用充電的電池更換電池，或安裝電源轉接器。
	沒有安裝電池。	安裝充電的電池。
	電池安裝不正確。	重新安裝電池，檢查已正確連接。
	安裝的電池發生故障。	使用狀態指示燈面板檢查電池狀況，更換或卸下短路的電池。

問題	可能的原因	可能的解決方案
電源故障		
電池好象放電太快。	由於您正在運行的應用程式頻繁訪問硬碟驅動器或DVD/CD-ROM 驅動器，使用數據機卡或 LAN PC 卡，因此需要消耗大量電能。	只要可能，就應使用主電池和可選的第二個電池和（或）使用電源轉接器運行這個應用程式。
	節能功能可能已被禁用。	檢查 Power Options 功能表中的電源管理和（或）設置實用程式設置，並根據您的操作需要進行調整。
	亮度一直調得很高。	調低亮度。亮度越高，顯示器使用的電量也越高。
	電池太舊。	更換電池。
	電池遭受過高溫。	更換電池。
	電池溫度太高或太低。	將筆記本電腦恢復到正常的操作溫度。當電池超出操作範圍時，狀態指示燈面板上的充電圖示會閃爍。

問題	可能的原因	可能的解決方案
關機和開機問題		
電源 / 暫停 / 恢復 按鈕不工作。	電源 / 暫停 / 恢復 / 按鈕已經在 Power Options 功能表內的 Advanced (進階) 子功能表中被禁用。	從設置實用程式中啟用該按鈕。
	您按下按鈕的時間不夠長。	按住按鈕的時間長一些。如果您的應用程式不讓 CPU 檢查按鈕，這可能需要幾秒鐘。
	可能出現與應用程式軟體的沖突。	關閉所有應用程式，然後重按一下按鈕。
系統已加電，並且顯示開機信息，但無法裝入作業系統。	設置實用程式的引導過程設置與您的配置不相容。	當 Fujitsu 標誌出現在屏幕上時，通過按 [ESC] 鍵設置操作源，或使用 [F2] 鍵進入設置實用程式，在 Boot (引導) 功能表中調整源設置。
	您的系統被保護，需要裝入作業系統時輸入密碼。	確定您有正確的密碼。進入設置實用程式，檢查 Security (安全) 設置，並做相應修改。
	未檢測到內部硬碟驅動器。	使用 BIOS 設置實用程式或 Main (主) 功能表內的 Primary Master 子功能表，嘗試自動檢測內部硬碟驅動器。
在引導過程中屏幕上顯示錯誤信息。	開機自檢 (POST) 檢測到問題。	查看開機自檢 (POST) 信息，判斷問題的含義和嚴重程度。並非所有信息都是錯誤，有些只是狀態指示器。

問題	可能的原因	可能的解決方案
關機和開機問題		
啟動筆記本電腦時，它好象更改了設置參數。	當您修改 BIOS 設置，並退出 BIOS setup 實用程式時未保存所做修改。	確定您在退出 BIOS setup 實用程式時選擇了 Save Changes And Exit（保存更改後退出）。
	BIOS CMOS 保持電池有故障。	與服務中心聯絡進行修理。用戶不能自行修理這個部件。此部件的正常使用寿命為 3 年 5 年。
當系統接通電源後，或者當系統恢復後，系統顯示不能開啟。	系統可能受密碼保護。	檢查狀態指示燈面板以確認安全圖示是否正在閃爍。若正在閃爍，請輸入密碼。
視頻問題		
打開 LifeBook 筆記本電腦時內建顯示器為空白。	筆記本電腦設置為只使用外部顯示器。	同時按下 [F10] 和 [Fn] 鍵可以更改顯示視頻發送的位置。每次按下這一組合鍵時，您都會跳到下一個選擇。這些選擇按順序排列依次為：內建顯示器，外部顯示器，內建顯示器及外部顯示器。
	顯示器角度和亮度設置不適合您的燈光條件。	移動顯示和亮度控制，直至能完全看清楚。

問題	可能的原因	可能的解決方案
視頻問題		
LifeBook 筆記本電腦打開時發出一串噁聲，內建顯示器為空白。	開機自檢 (POST) 檢測到不允許顯示器再繼續操作的故障。	請與服務中心聯絡。
在使用一段時間之後顯示器自行進入空白狀態。	由於您長時間沒有使用，筆記本電腦已進入了視頻超時、待機模式、暫停模式或保存至硬碟模式。	按鍵盤上的任一按鈕，或移動一下滑鼠以恢復操作。如果這樣做不起作用，請按一下電源 / 暫停 / 恢復按鈕。檢查一下電源管理設置，或關閉應用程式，轉到設置實用程式的 PowerSavings (節能) 功能表調整超時值，以更好地適合您的操作需要。
當系統接通電源後，或者當系統恢復後，系統顯示不能開啟。	系統可能受密碼保護。	檢查狀態指示燈面板以確認安全圖示是否正在閃爍。若正在閃爍，請輸入密碼。
內建顯示器不能關閉。	有異物，如回形針卡在顯示器與鍵盤之間。	取下鍵盤上的所有異物。
內建顯示器有亮點或暗點。	如果這些點很小，而且數量也非常少，這對於大屏幕 LCD 顯示器來說是正常的。	這是正常的，不需要執行任何工作。
	如果這些點很多也很大，已經對操作造成了干擾。	顯示器有故障，請與服務中心聯絡。

問題	可能的原因	可能的解決方案
視頻問題		
應用程式顯示只使用部分屏幕，四周是黑框。	您正在運行的應用程式不支援 800 x 600/1024 x 768 像素解析度全屏顯示。	通過更改顯示壓縮設置您可以占滿整個屏幕，但解析度較低。 (請參閱 BIOS Advanced (進階) 功能表中的 Video Features (視頻功能) 子功能表。) 啟用視頻壓縮並按 (Fn) + (F5) 使屏幕以較低的 800 x 600 像素解析度最大化至全屏顯示。
使用電池電源時顯示器很暗。	電源管理實用程式設置為低亮度以節約電能。	按 [Fn] + [F7] 增加亮度或雙擊電池標尺並調整電池設置下面的“電源控制”。
您連接了外部顯示器，但它不顯示任何信息。	BIOS 沒有設置為啟用外部顯示器。	嘗試通過同時按 [Fn] 和 [F10] 來切換視頻目標，或檢查 BIOS 設置，啟用外部顯示器。(請參閱 BIOS Advanced (進階) 功能表中的 Video Features (視頻功能) 子功能表。)
	外部顯示器安裝不正確。	重新安裝設備。
	您的作業系統軟體沒有使用該設備正確的軟體驅動程式進行設置。	檢查設備和作業系統說明文檔，激活正確的驅動程式。
您連接了外部顯示器，但它不顯示任何畫面。	外部顯示器與 LifeBook 筆記本電腦不相容。	請參閱顯示器說明文檔和“技術規格”部分“外部顯示器支援”一節的內容。
其它問題		
在操作應用程式時屏幕上顯示錯誤信息。	應用程式軟體經常顯示自己的一組錯誤信息。	請參閱應用程式手冊和幫助顯示屏幕以獲得更多信息。並非所有信息都是錯誤，有些只是指示狀態。