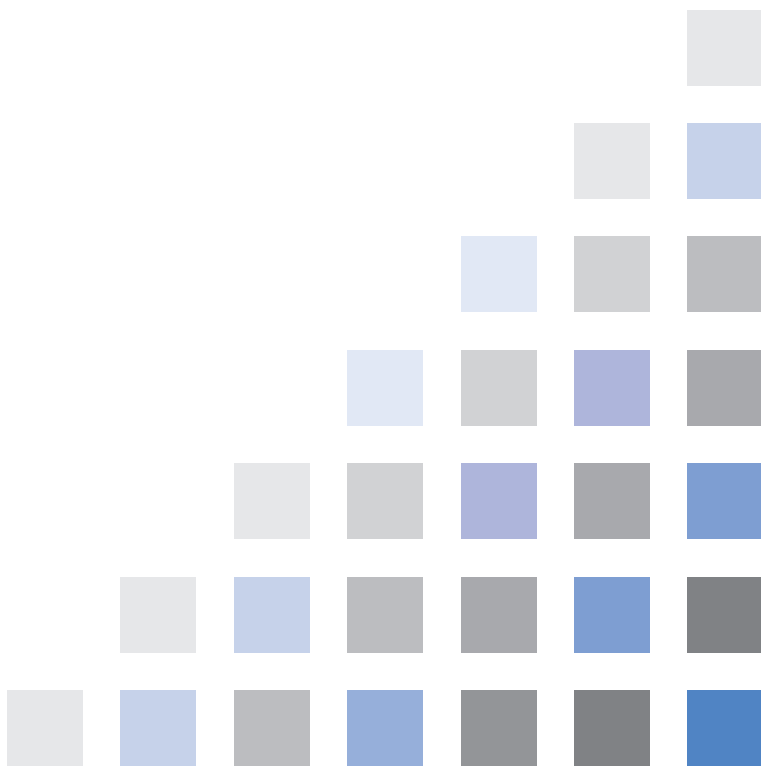


SHARP®

NOTEBOOK COMPUTER

PC-MC20 Series

OPERATION MANUAL



Notice for Users in the USA

FCC Statement

WARNING - FCC Regulations state that any unauthorized changes or modifications to these equipments not expressly approved by the manufacturer could void the user's authority to operate these equipments.

Note: These equipments have been tested and found to comply with the limits for a Class B digital device pursuant to Part 15 of the FCC Rules.

These limits are designed to provide reasonable protection against harmful interference in a residential installation. These equipments generate, use and can radiate radio frequency energy and, if not installed and used in accordance with the instructions, may cause harmful interference to radio communications. However, there is no guarantee that interference will not occur in a particular installation. If these equipments do cause harmful interference to radio or television reception, which can be determined by turning the equipments off and on, the user is encouraged to try to correct the interference by one or more of the following measures:

- Reorient or relocate the receiving antenna.
- Increase the distance between the equipment and receiver.
- Connect the equipment into an outlet on a circuit different from that to which the receiver is connected.
- Consult the dealer or an experienced radio/TV technician for help.

A shielded I/F cable is required to insure compliance with FCC regulation for Class B computing equipment.

* As an ENERGY STAR[®] Partner, SHARP has determined that this product meets the ENERGY STAR[®] guidelines for energy efficiency.

Declaration of Conformity

SHARP PERSONAL COMPUTER, PC-MC Series

This device complies with part 15 of the FCC rules. Operation is subject to the following conditions:(1) this device may not cause harmful interference, and (2) this device must accept any interference received, including interference that may cause undesired operation.

Responsible Party: SHARP ELECTRONICS CORPORATION
Sharp Plaza, Mahwah, New Jersey 07430-2135
TEL: 1-800-BE-SHARP

This device complies with the FCC RF exposure requirements.

About the Modem

This equipment complies with Part 68 of FCC rules. On the bottom of this equipment is a label that contains, among other information, the FCC registration number and ringer equivalence number (REN) for this equipment. If requested, this information must be provided to the telephone company.

The modem jack of this equipment complies with Sub-part F of Part 68 of FCC rules.

The REN is used to determine the quantity of devices which may be connected to the telephone line. Excessive RENs on the telephone line may result in the devices not ringing in response to an incoming call. In most, but not all areas, the sum of the RENs should not exceed five (5.0). To be certain of the number of devices that may be connected to the line, as determined by the total RENs contact the telephone company to determine the maximum REN for the calling areas.

If the terminal equipment causes harm to the telephone network, the telephone company will notify you in advance that temporary discontinuance of service may be required. But if advance notice isn't practical, the telephone company will notify the customer as soon as possible. Also, you will be advised of your right to file a complaint with the FCC if you believe it necessary.

The telephone company may make changes in its facilities, equipment, operations, or procedures that could affect the operation of the equipment. If this happens, the telephone company will provide advance notice in order for you to make the necessary modifications in order to maintain uninterrupted service.

If trouble is experienced with this equipment, please contact Sharp Electronics Corp. for repair and (or) warranty information (Refer to the end of this section). If the trouble is causing harm to the telephone network, the telephone company may request you remove the equipment from the network until the problem is resolved.

The equipment cannot be used on public coin service provided by the telephone company. Connection to Party Line Service is subject to state tariffs. (Contact the state public utility commission, public service commission or corporation commission for information.)

The Telephone Consumer Protection Act of 1991 makes it unlawful for any person to use a computer or other electronic device, including fax machines, to send any message unless such message clearly contains in a margin at the top or bottom of each transmitted page or on the first page of the transmission, the date and time it is sent and an identification of the business or other entity, or other individual sending the message and the telephone number of the sending machine or such business, other entity, or individual. (The telephone number provided may not be a 900 number or any other number for which charges exceed local or long-distance transmission charges.) To program this information, refer to the manual of the communication software.

Warning

This product utilizes tin-lead solder, and fluorescent lamp containing a small amount of mercury.

Disposal of these materials may be regulated due to environmental considerations. For disposal or recycling information, please contact your local authorities or the Electronics Industries Alliance: www.eiae.org

Copyright

It is the intent of Sharp that this product be used in full compliance with the copyright laws of the United States and that prior permission be obtained from copyright owners whenever necessary.

Product Information and Customer Assistance

For Product Information and Customer Assistance:

Call: 1-800-BE-SHARP (237-4277)

Sharp Systems of America

5901 Bolsa Avenue, Huntington Beach, CA 92647

Home Page: <http://www.sharpsystems.com>

E-mail address: ssa-support@sharpsystems.com

CAUTION:

TO PREVENT ELECTRICAL SHOCK, DISCONNECT THE AC CORD AND THE BATTERY BEFORE SERVICING.

CAUTION:

FOR A COMPLETE ELECTRICAL DISCONNECTION, PULL OUT THE MAINS PLUG AND THE BATTERY.

VORSICHT:

UM DIE STROMZUFUHR VOLLSTÄNDIG ZU UNTERBRECHEN, DEN NETZSTECKER HERAUSZIEHEN UND DIE BATTERIE ENTFERNEN.

ATTENTION:

POUR UN ARRET TOTAL DU SYSTEME, DECONNECTEZ LA PRISE DE COURANT SECTEUR ET LA BATTERIE.

VARNING:

FÖR TOTAL ELEKTRISK URKOPPLING, KOPPLA UR KONTAKTEN OCH TA UR BATTERIET.

PRECAUCION:

PARA UNA COMPLETA DESCONEXION ELECTRICA DESENCHUFE LA CLAVIJA DE LA RED Y LA BATERIA.

Safety Precautions

General

- Follow all cautions and instructions, which may be marked, on the computer.
- Except as described elsewhere in this manual, refer all servicing to qualified personnel. Immediately shut off the computer and seek servicing under the following conditions:
 - when the power cord or plug is damaged or frayed
 - when liquid has been spilled on the computer
 - when the computer has been dropped or the cabinet has been damaged

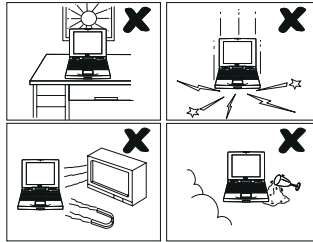
Location

- Do not expose the computer to direct sunlight.
- Try to avoid dusty environments.
- Keep the computer away from any magnetic devices and TVs.
- Keep the computer away from excessive humidity or fluids such as rain, snow, water spray, juice, coffee, steam, etc.
- Do not move the computer from an extremely cold place to an extremely warm place. A temperature difference of more than 10°C (18°F) will cause condensation inside the unit, which may cause damage.
- Do not block or cover slots or openings on the cabinet. These protect the computer from overheating.
- Do not place the computer on unstable or uneven work surfaces.
- Do not use the computer on your lap or any part of your body for an extended period during operation or charging to avoid injury from heat exposure.

Usage

- Never push any objects of any kind into cabinet openings. They may touch dangerous voltage points or short parts that could result in fire or electrical shock.
- Turn off the computer before installing or removing peripheral devices (except when connecting USB devices and PC cards, etc.).
- Check the AC power cord and power connectors periodically for damage. Replace the power cord immediately if damage is found.
- Never subject your computer to sudden shocks or extreme vibration.

- Do not drop the computer nor hit it with other equipment.
- Do not scratch the surface of the LCD screen.
- Turn off the computer and disconnect the AC power cord before cleaning.



Battery Precautions

CAUTION

DANGER OF EXPLOSION IF BATTERY IS INCORRECTLY REPLACED. REPLACE ONLY WITH THE SAME OR EQUIVALENT TYPE RECOMMENDED BY THE MANUFACTURER. DISCARD USED BATTERIES ACCORDING TO THE MANUFACTURER'S INSTRUCTIONS.

Handling

- Never put the battery pack in a fire, as it could explode and cause injury.
- Do not attempt to open or alter the battery pack.
- Do not place the battery where it might get hotter than 60°C (140°F).
- Do not allow metal objects such as jewelry to short across the battery terminals, as it could heat up and explode.
- Do not allow liquids to come in contact with the battery pack.
- Avoid dropping the pack or other violent shock.
- Do not solder anything to the battery terminals.

Charging

- Charge the battery pack only with the AC adapter included with your computer.

Discharging

- Do not use the battery pack for any purpose other than powering your computer.

Storage

- Store the battery pack in a cool and dry place. Never allow the temperature to exceed 60°C (140°F) during storage.
- Recharge the stored battery pack after storage, before use.

Wireless LAN Precautions

- Disable the integrated antenna and do not communicate with wireless LAN in specific environment where radio-susceptible equipment is nearby such as on airplanes, in hospitals, etc.

About This Manual

Notice

Information in this manual is subject to change without notice and does not represent a commitment on the part of SHARP Corporation and its sales subsidiaries.

SHARP Corporation and its sales subsidiaries shall not be liable for technical or editorial errors or omissions contained herein; nor for incidental or consequential damages resulting from the furnishing, performance, or use of this material.

SHARP strongly recommends that separate permanent written records be kept of all important data. Data may be lost or altered in virtually any electronic memory product under certain circumstances. Therefore, SHARP assumes no responsibility for data lost or otherwise rendered unusable whether as a result of improper use, repairs, defects, battery replacement, use after the specified battery life has expired, or any other causes.

SHARP assumes no responsibility directly or indirectly, for financial losses or claims from third persons resulting from the use of this product and any of its functions, such as stolen credit card numbers, the loss of or alteration of stored data, etc.

Edition

1st Edition, September 2003.

Copyright

© 2003 SHARP Corporation

This document contains or refers to proprietary information which is protected by copyright. All rights are reserved. Copying or other reproduction of this document is prohibited without the prior written permission of SHARP Corporation.

Trademarks

AMD, the AMD logo, AMD Athlon, and AMD PowerNow! are trademarks of Advanced Micro Devices, Inc.

IBM is a trademark of International Business Machines Corporation.

Microsoft and Windows are registered trademarks of Microsoft Corporation in the United States and other countries. Windows Media is a trademark of Microsoft Corporation in the United States and other countries.

WinDVD is a registered trademark of InterVideo, Inc.

Dolby and the double-D symbol are registered trademarks of Dolby Laboratories Licensing Corporation.

Power Quest is a registered trademark and EasyRestore is a trademark of PowerQuest Corporation.

BAPCo is a registered trademark of the Business Applications Performance Corporation.

MobileMark is a trademark of the Business Applications Performance Corporation.

All other brand and product names are trademarks or registered trademarks of their respective holders.

Recording Important Information

For future reference, please record the following information in the spaces provided below.

Model Number:

Serial Number:

Date of purchase:

Dealer's Name:

Place of purchase:

Password:

The serial number is printed on a sticker located on the bottom of the computer.

Manual Conventions

This manual uses a set of style conventions described below.

Notes and Cautions are italicized with icons:



A note icon informs you of a special technique or information that may help you perform a task or better understand a process.



A caution icon alerts you to something that may cause problems or damage to hardware, software or data.

Key Labels on the Keyboard, when referred to in the instructions, are shown in boldface:

Press **Enter** to continue.

When two or more keys are pressed simultaneously, the key labels are separated by a plus (+) sign:

Run *Task Manager* by pressing **Ctrl+Alt+Delete**.

Sample Entries are shown in lower cases of different typeface.

`c:\windows\system`

Words/Texts on Screen, such as window titles or possible parameters, are italicized:

Double-click this icon to display the *Power Options Properties* dialog box.

Set the item to *Enabled*.

Screens reproduced in this manual may differ slightly from the screens you see on your computer.

Section Titles in other parts of this manual are italicized:

Refer to *Installing Battery Pack* section of Chapter 1.

Table of Contents

Notice for Users in the U.S.A.	i
Safety Precautions	v
About This Manual	viii
Recording Important Information	x
Manual Conventions	xi
Table of Contents	xii
Overview of Computer.....	xiv

Quick Setup

Installing Battery Pack	1-1
Connecting to AC Power Source	1-2
Setting Up Windows	1-4
Turning Off Your Computer	1-6

Basic Operations

Choosing Power Source	2-1
Resetting System	2-3
Using Glide Pad	2-4
Using Keyboard	2-6
Using Optical Drive	2-7
Controlling Volume	2-13
Adjusting Display.....	2-14
Sharing Your Computer	2-16

Battery and Power Management

Battery Pack	3-1
Power Management.....	3-7

Peripherals

Using Peripherals.....	4-1
Optional External Floppy Disk Drive Unit.....	4-3
External Display	4-5
Audio System	4-8
USB Device.....	4-10
PC Card	4-11
Printer	4-14

Communication Functions

Built-in Modem	5-1
LAN Unit.....	5-4
Wireless LAN.....	5-9
Network Setup Utility.....	5-13

Setup Utility

Running Setup Utility.....	6-1
Main Menu	6-3
Advanced Menu.....	6-4
Security Menu	6-4
Exit Menu	6-6

DirectHD Function

DirectHD Utility.....	7-1
Connecting MC Series to Host Computer	7-3
Password Function.....	7-4
Disconnecting MC Series from Host Computer	7-6
Synchronizing MC Series with Host Computer	7-7

Appendixes

Memory Module.....	A-1
Maintenance and Care	A-4

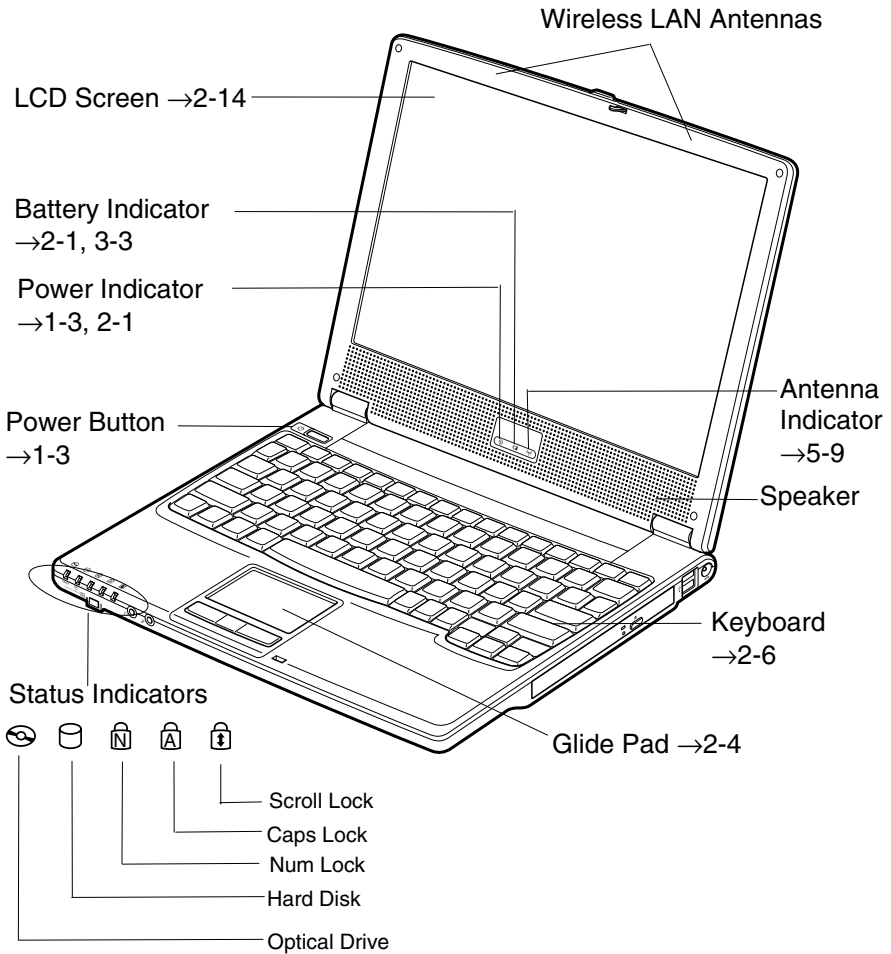
Troubleshooting

Index

Overview of Computer

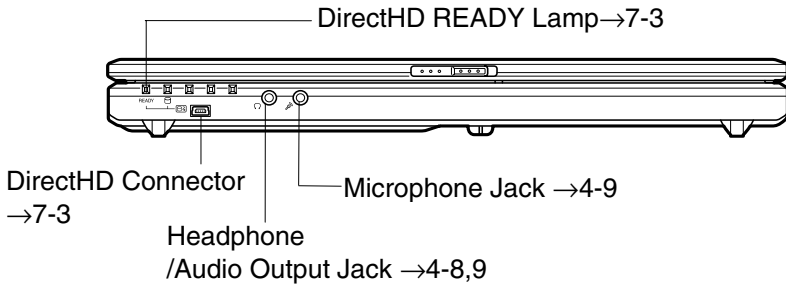
Each number after an arrow indicates the page referring to the part. Actual appearance of your computer may be slightly different depending on the model.

Front

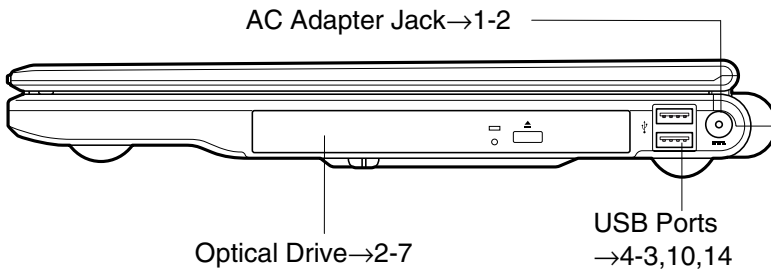


Never turn off the computer when the hard disk indicator or the optical drive indicator is on. This may damage the data on the hard disk.

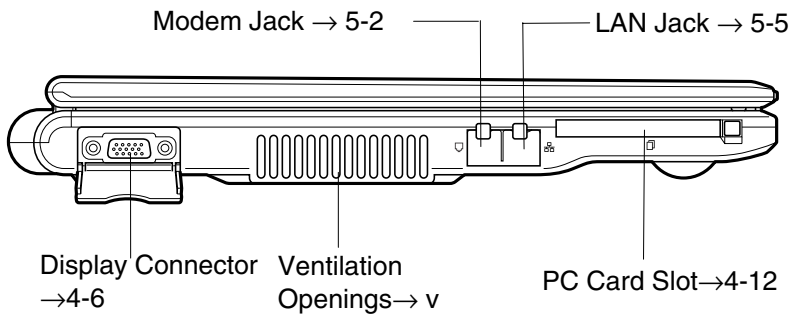
Front



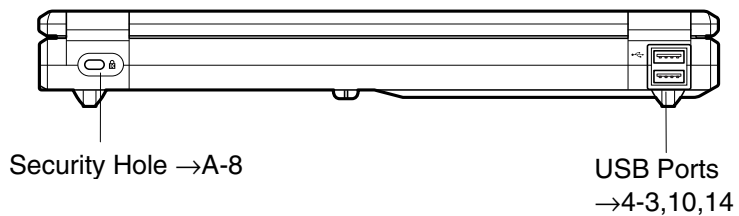
Right



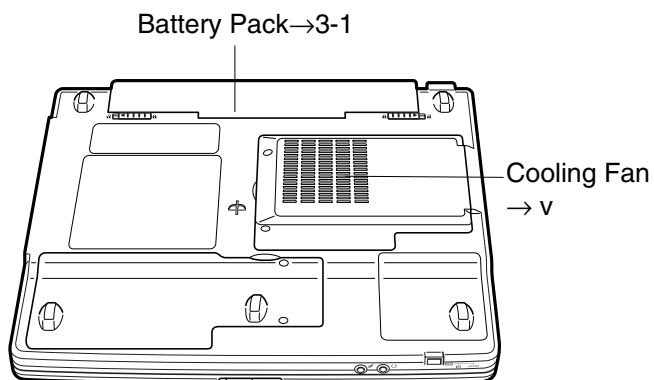
Left



Rear



Bottom



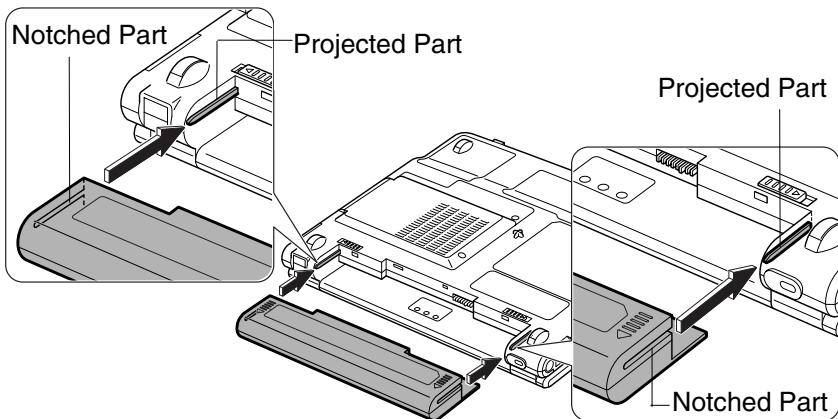
Quick Setup

Your computer is designed and pre-configured for easy setup and use. This chapter describes the steps to set up your computer and operate it as quickly as possible. Read this chapter first.

Installing Battery Pack

Your computer is powered with either the battery pack or AC power source. See the next chapter for more information on the power sources. Before using your computer for the first time:

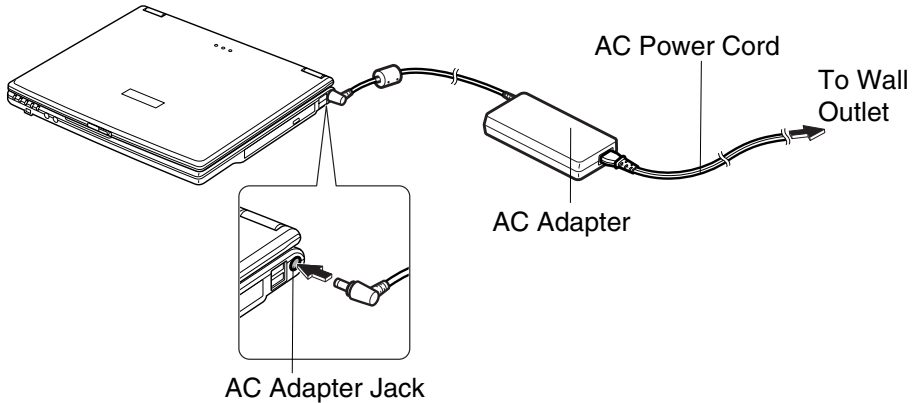
1. Place your computer upside down.
2. Insert the battery pack into your computer by matching the notched parts of the battery to the projected parts on your computer and push the battery pack until you hear the clicking sound.



3. Turn your computer over and go to the next section.

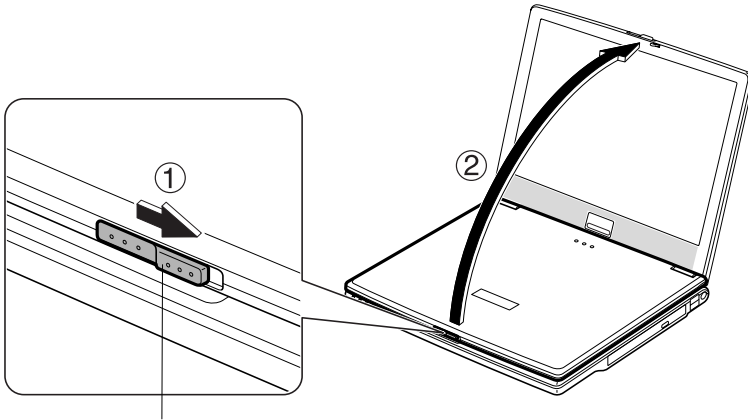
Connecting to AC Power Source

1. Plug the AC adapter cable into the AC adapter jack on the right side of your computer.
2. Plug the AC power cord into the AC adapter.
3. Plug the AC power cord into a wall outlet.



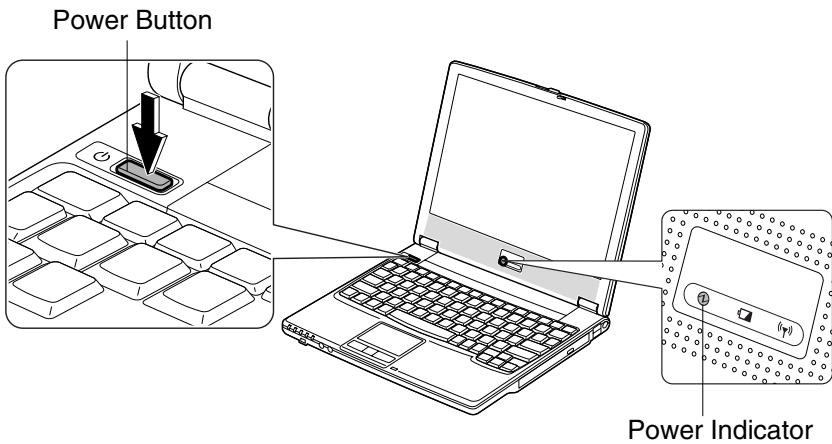
- *Always use the AC adapter and the AC power cord included with your computer. Using others may damage your computer.*
 - *Always hold the AC power cord by the plug when removing it from the wall outlet. Never pull on the cord.*
 - *When using your computer for the first time, be sure to operate it on AC power. If on battery power instead, you may not be able to complete the Windows setup if the battery does not have enough power.*
-

- Slide the display cover lock lever to the right until the display cover releases, and raise the cover.



Display Cover Lock Lever

- Press the power button to turn on your computer.



When you turn on your computer, the power indicator (⏻) turns green, your computer goes through a self test to detect any problems, and Windows setup process starts. See the next page.

Setting Up Windows

1

The steps in the setup process are as follows:

- Configuring your location, language and keyboard type
- Configuring your time zone
- Accepting license agreement
- Naming your computer
- Creating an account
- Completing configuration

To setup Windows, follow the instructions on the screen. See also the Windows manual. It takes approximately 5-10 minutes to complete the entire setup process.




- *Do not turn off your computer until completing Windows setup. If you turn it off, you cannot set up Windows later.*
- *Be sure to connect your computer to AC power source. An undercharged battery may not be able to complete the Windows XP setup.*
- *Do not connect any peripheral devices to your computer until Windows setup completes. Otherwise your computer may malfunction.*



- *If the display turns off, some power management may function. In this case, press any key to resume your computer from the power management.*
- *If you cannot operate the keyboard or the touch pad, press the power button for more than four seconds to turn off your computer. Be sure that the power indicator turns off; then, after more than 10 seconds, press the power button to turn it on again.*

After completing Windows setup:

- Confirm *Time Zone* is correctly selected and set the date and time by double-clicking the time appearing on the right of the taskbar to open *Date and Time Properties* dialog box.
- Press **Fn+F1** () keys to activate the integrated antennas for Wireless LAN communication.

Properties Dialog Box in Windows

In this manual, you will often see the expression “XXX Properties dialog box.” A dialog box is a window containing text boxes, check boxes, buttons, etc., with which you can send commands to Windows or other application programs. To open the properties dialog boxes, click *start - Control Panel*. The *Control Panel* has two types of views: Category view and Classic view. The Category view allows you to choose the category that may be related to what you want to do, then, choose the task by clicking it. The Classic view gives you the icons representing their components or features. Double-click one of the icons to open their dialog box or windows. Some of the dialog boxes you will use often are:

- Display
- Phone and Modem Options
- Mouse
- Power Options
- System



Clicking Switch to XXX View string appearing at the upper left of the Control Panel window allows you to toggle between the two views.

Turning Off Your Computer

When you've finished using your computer, turn it off with one of the following ways:

- From the *start* menu
 1. Click *start – Turn Off Computer*.
 2. In the *Turn off computer* dialog box, click *Turn Off*.
- With the power button

Before using this step, confirm that *Shut down* is selected in *When I press the power button on my computer* in *Advanced* tab of *Power Options Properties* dialog box.

Close the cover to keep the screen and keyboard clean and protected.



If you have not saved a file, a dialog box will appear asking whether you want to save it.



- *Do not turn off or reset your computer while the hard disk indicator or the optical drive indicator or the indicator on the optional external floppy disk drive unit is lit. Doing so may damage or even wipe out the data.*
 - *Before turning it back on, wait at least ten seconds after turning off your computer. Turning the power off and on in rapid succession can damage your computer's electrical circuitry.*
-

Basic Operations

This chapter describes the basic operations of your computer.



Choosing Power Source

You can use your computer with one of the following power sources:

- AC power from a wall outlet
Use AC power whenever possible; rely on the battery only when AC power is not available.
- Rechargeable battery
Your computer is equipped with a standard battery pack. See Chapter 3 for the battery information.

About Power Indicators

The following indicators show the power status of your computer.

Indicator	Light	Meaning	
Power 	On (green)	Operating	
	Blinking (green)	In System Standby	
	Off	Powered off or in System Hibernate	
Battery 	Connected to AC Power Source	On (green)	Fully charged
		On (orange)	Being charged
		Blinking (orange)	In abnormal state (Remove the battery pack and install it again.)
	Powered by Battery	Off	Has power
		Blinking (red)	Almost completely discharged (The warning beep sounds.)

The battery indicator is always off when your computer is turned off and not connected to AC power source.



- *When the battery is hot, the battery indicator may turn off and stay off until the battery becomes cool.*
- *For more information on System standby/hibernate, see Chapter 3.*

Using AC Adapter

When connected to a wall outlet, the AC adapter provides power for operation and charges the battery. The AC input voltage can range from 100 to 240 volts so that you can use your computer with the appropriate plug adapter.



The AC power cord included with your computer is appropriate for the voltage used in the area in which you purchased your computer. If you attempt to connect your computer to a wall outlet other than in this area, check the voltage of the outlet and use an AC power cord appropriate for the outlet. Consult local service staff if you are not sure.

Resetting System

You may need to restart the system if your computer hangs up or a new hardware or software is installed. When a message appears after the installation, click *OK*, *Yes*, etc. to restart Windows.

You can also restart Windows by clicking *start - Turn Off Computer*; then, *Restart*.



Resetting may cause data loss. Use the resetting process only if the normal Windows Shut Down does not work because of software malfunction. Although resetting will not damage the system, you may lose the data you are processing.

2

Warm Boot (Software Reset)

If the system is locked up because of a software problem, you can reset or reboot the system by pressing the **Ctrl+Alt+Del** keys simultaneously and select *Applications* tab of *Windows Task Manager* dialog box. Click the program name that hangs up, then, *End Task*. If this does not solve the problem, select *User* tab click *Disconnect* or *Logoff* of *Windows Task Manager* dialog box, then *Yes*.

Power Switch

You can turn off your computer with the power button if you encounter hardware or software problems that lock up the system. In this case, press the power button for more than four seconds.

Removing AC Adapter and Battery Pack

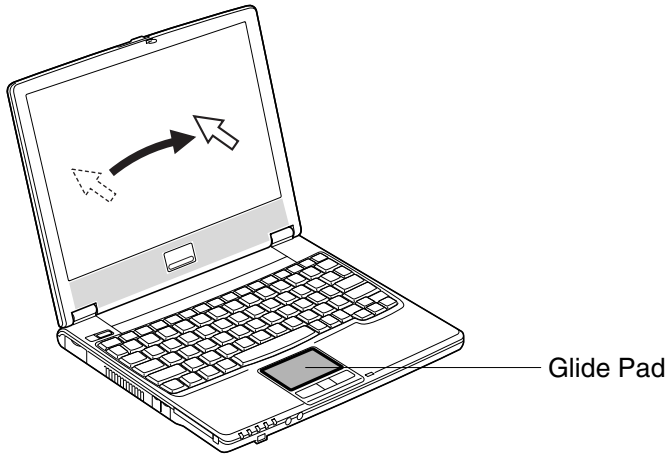
If pressing the power button fails to turn off your computer, remove the AC adapter, then, the battery pack. Ten seconds later, reinstall the battery pack, connect the AC adapter and then, turn on your computer.



Before removing the AC adapter and the battery pack, confirm the hard disk indicator is not lit.

Using Glide Pad

Your computer is equipped with an integrated pointing device called a glide pad. Using the glide pad, you can move the pointer, select an item from a menu, and perform other tasks in the same way you would with a mouse.



2



- Do not hit or scratch the surface of the glide pad with pointed objects (such as a ballpoint pen).
- Do not operate the glide pad with a moist finger. This may cause the glide pad to operate incorrectly.



Enabling Glide Pad

When a USB mouse is connected to one of the USB ports of your computer, the glide pad is disabled, which means that your computer does not respond to any tapping on the pad. Therefore, conflict with the mouse and/or unexpected move of the pointer on the screen can be avoided.

To enable the glide pad, use one of the following ways.

- Disconnect the connected USB mouse. (No mouse must be connected.)
- With a USB mouse connected, open *Mouse Properties* dialog box, click *Device Settings* tab, then, *Enable* button. (This operation allows your computer to always respond to the glide pad, while the connected USB mouse also works.)



When the glide pad is disabled, the Touch Pad icon () on the taskbar is crossed ().

Using Glide Pad

Take a moment to become familiar with how the glide pad works.

Place Your Fingertip

Place your left or right hand next to the glide pad, resting your wrist naturally in a relaxed manner. Place your thumb or finger on the glide pad.

Move Your Fingertip

The rectangular pad of the glide pad is used to move the pointer around the display. As you slide your fingertip across the pad, the pointer on the screen moves in the same direction across the screen. The glide pad is very sensitive, so you do not have to exert much pressure on the pad. The glide pad will respond to a light touch from your fingertip.

Click, Double-click, and Right-click

To click or double-click, you can use the left button just like that of a mouse. Instead of clicking the left button, you can also just tap gently anywhere on the rectangular pad. For right-clicking, you must use the right button.



If the interval between clicks is too long, the double-click will not function.

Drag and Drop

You can move the items by using “drag and drop” below:

1. Position the pointer over the item you wish to move.
2. Press the left button; do not release it.
3. Move the pointer while holding the left button. The item moves together with the pointer.
4. Release the button when the item reaches its destination.


Or you can tap the pad twice and hold it instead of pressing the left button in the step 2.

Scroll

You can scroll through information in a list or in a document by using the glide pad. To view information vertically, place your finger on the most right part of the glide pad and slide your finger up and down. To view horizontally, place your finger on the

bottom part of the glide pad and slide your finger to the left or the right. This procedure works only in limited applications.

Changing Configuration

In the *Mouse Properties* dialog box, you can change the configuration of the glide pad, such as swapping left and right buttons, changing the pointer size, etc. Double-click  icon on the taskbar.

2

Using Keyboard

Your computer, equipped with the Windows Enhanced Keyboard, provides all the functionality of a full-sized desktop keyboard.

Special Keys



Windows Key

Opens the Windows start menu. This key functions the same as the *start* button on the screen.




Application Key


Opens short-cut menus for the specific items. This key functions the same as the right mouse button.

System Function Keys


Your keyboard contains the function keys labeled **F1** through **F12** for special actions. Use them in conjunction with **Fn** key.

Fn + F1 ()


Turns the wireless LAN antennas on and off

Fn + F3 ()


Decreases the audio volume

Fn + F4 ()

Increases the audio volume

Fn + F5 ()


Rotates display mode among LCD only, an external monitor only, and both (when connecting an external monitor).

Fn + F6 ()



Decreases the LCD screen brightness

Fn + F7 ()

Increases the LCD screen brightness

Fn + F8 ()

Maximizes the LCD screen brightness
Returns to the previous status by pressing them again

- Fn + F11 () Turns the LCD screen on and off
- Fn + F12 () Forces your computer into System standby, hibernate, or powered off
(See *Power Management* of Chapter 3 for more information.)

Using Optical Drive

Your computer is equipped with an optical drive allowing you to read from DVD and CD and write onto CD-R/RW.



CAUTION FOR LASER

*Use of controls or adjustments or performance of procedures other than those specified herein may result in hazardous radiation exposure.
Maximum output and wavelength of the laser: 108mW, 784nm(CD-R/RW)
6mW, 662nm(DVD-ROM)*



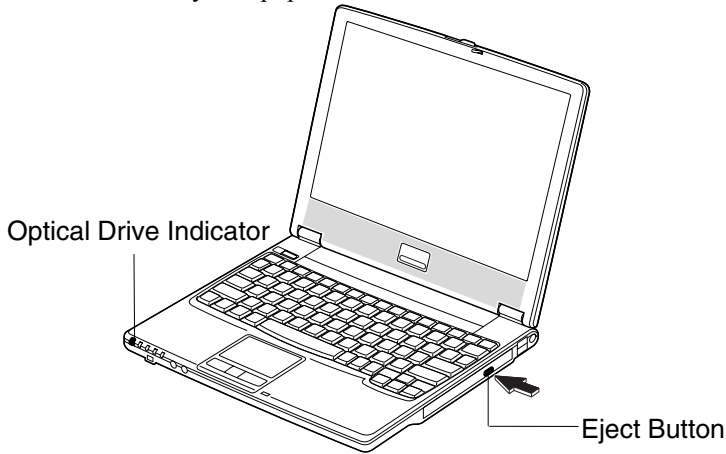
Handling Disk

- Do not write on either side of the disk, particularly the non-label side. Data is read/write from/onto the non-label side. Do not mark this surface.
- Keep your disks away from direct sunlight, heat and excessive moisture.
- Always hold the disks by the edges. Fingerprints, dirt or water on the disks can cause noise or mistracking. If a disk is dirty or does not play properly, clean it with a soft, dry cloth, wiping straight out from the center, along the radius.

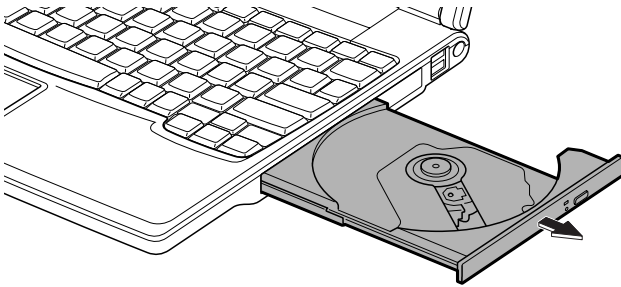
Inserting Disk

1. Make sure the optical drive indicator is not lit on; then, press the eject button. The drive tray will pop out.

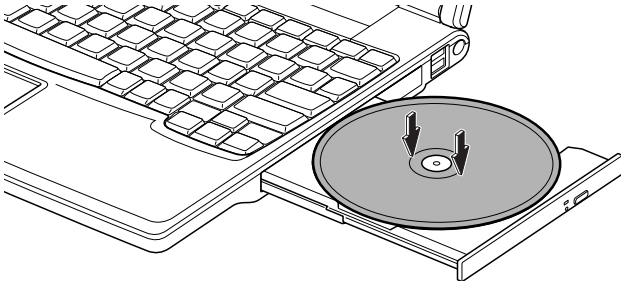
2



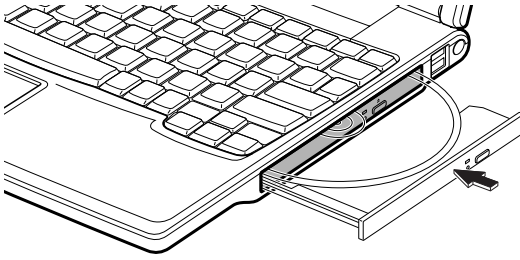
2. Gently pull out the tray.



3. Place your disk, label side up, onto the tray and slightly press the center of the disk until it locks into place.



4. Gently push the tray back into your computer.



- *Do not leave the tray pulled out. Also, avoid touching the lens in the tray. If the lens becomes dirty, the disk may malfunction.*
- *Do not wipe the lens with materials with rough surface (such as paper towels). Instead, use a cotton swab to gently wipe the lens.*

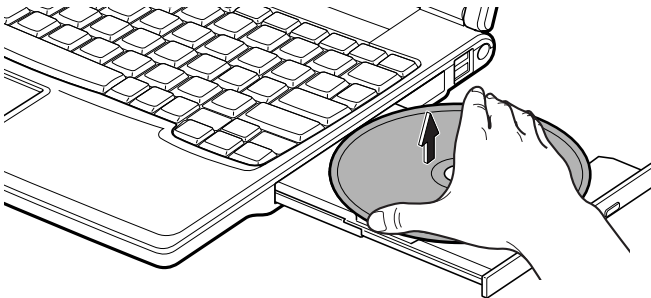
Removing Disk

1. Make sure the optical drive indicator is not lit and press the eject button. The optical drive tray will pop out.



Make sure the optical drive indicator is not lit before pressing the eject button.

2. Gently pull out the tray.
3. Remove the disk from the tray by holding its edge.



4. Gently push the tray back into your computer.

Writing Data to Disk



- *Before writing to disks, follow the instructions below:*
 - *Connect the AC adapter. If the battery is discharged, writing process will stop and fail.*
 - *Disable the power management. See Power Management of Chapter 3.*
 - *Close all of the unnecessary or the automatic start-up applications.*
 - *Disable the screen saver. (Refer to Changing Wallpaper and Setting Screen Saver section later in this chapter.)*
- *When copying data with an installed application, Drag'n Drop CD+DVD, the type of a destination media should be same as that of a source media.*
- *You cannot add data into audio CDs even if they are not full.*

You can use CD-R or CD-RW to write data on. CD-RW is an erasable disk onto which you can write data and from which you can erase data. CD-R is non-erasable disk onto which you can write data only once. If free space remains, you can add data until the disk is full.

To write data, run the application called Drag'n Drop CD+DVD installed on your computer. See the online help of Drag'n Drop CD+DVD for the details.

To run Drag'n Drop CD+DVD, click *start – All Programs – Drag'n Drop CD+DVD – Drag'n Drop CD+DVD*.

Watching DVD Video

You can enjoy watching DVD videos on your computer using the application called WinDVD. See online help of WinDVD for more details.

To run the application, click *start – All Programs – InterVideo WinDVD4 - InterVideo WinDVD4*.



- *Before watching DVD videos, follow the instructions below:*
 - *Connect the AC adapter. If the battery is discharged, the operation will stop.*
 - *Disable the power management. See Power Management of Chapter 3.*
 - *Close all of the unnecessary or the automatic start-up applications.*
 - *Disable the screen saver. (Refer to Changing Wallpaper and Setting Screen Saver section later in this chapter.)*
- *When playing a DVD video, you may experience a picture with an irregular motion, or frame dropouts, depending on videos.*

- *This product incorporates copyright protection technology that is protected by method claims of certain U.S. patents and other intellectual property rights owned by Macrovision Corporation and other rights owners. Use of this copyright protection technology must be authorized by Macrovision Corporation, and is intended for home and other limited viewing uses only unless otherwise authorized by Macrovision Corporation. Reverse engineering or disassembly is prohibited. (Apparatus Claims of U.S. Patent Nos. 4,631,603; 4,577,216; 4,819,098 and 4,907,093 licensed for limited viewing uses only.)*



Make sure to remove the DVD video from the drive when you finish watching it. If you turn off your computer with the disk left in the drive, the drive may not be recognized when your computer is turned on again.

Changing Region Code

A DVD video has a region code which prevents playback of the disk in certain regions. The region code appears on the top of the disk.

When shipped from the factory, your optical drive is set to a region code applicable to your area.



Your DVD drive region code can be changed. Code change is limited. Once the limit is reached, it cannot be changed any more. To confirm the limit, click Region tab of Setup dialog box and check the bottom line in the window. (Refer to Using Parental Control section on the next page to open the Setup dialog box.)



Make sure to log on your computer as a member of the Computer administrators group. Otherwise you cannot change the region code.

Available region codes are:

Region Code	Area
1	U.S.A, Canada
2	West Europe, Japan, South Africa
3	South East Asia (including Hong Kong)
4	Australia, Spanish America
5	Former Soviet Union, Indian Subcontinent, Africa
6	China

To change the region code:

1. Insert a DVD video into the drive.
If the region code of the DVD video is different from that of your drive, *Confirm Region* dialog box appears.

2. The region code currently selected is checked in the left box. Region code of your DVD video is checked in the right box. If you want to change the drive code and play the DVD video, click *OK*.



On some DVD videos, plural region codes are selectable in the right box of Confirm Region dialog box. Carefully choose an appropriate one.



When Confirm Region dialog box does not appear:

1. Click start - My Computer – View system information.
2. In System Properties dialog box, select Hardware tab and click Device Manager button.
3. In Device Manager dialog box, double-click DVD/CD-ROM drives string and MATSHITA xxxxxx. (xxxxxx is your optical drive name.)
4. Select DVD Region tab, choose the listed distribution area of the DVD video, then, confirm the region code shown in the New Region field is correct and click *OK*.
5. Read the message on the screen, then, click *OK*.

Using Parental Control



If you want to set the parental control to prevent your children from watching an inappropriate movie, follow the steps below:

1. Run the *InterVideo WinDVD4*.
2. Right-click somewhere in the *InterVideo WinDVD4* window and click *Setup....* *Setup* dialog box will appear.
3. In *Preferences* tab, click *Set Password* button in *Parental Playback Control* section.
4. Type your password and click *OK*.
5. Click *Set Rating* button and enter the password.
6. Select a control level and click *Set*.
7. Click *OK*. See online help of *WinDVD* for more details.

Controlling Volume

You can adjust the output volume of your computer with the following volume controls that interact with each other.

With Keyboard

Press and hold **Fn** key and then, press **F3** () key to decrease the output volume. Press and hold **Fn** key and then, press **F4** () key to increase the output volume.



These functions do not work in MS-DOS mode.

On Windows

1. Click *start - Control Panel*.
2. Click *Sounds, Speech, and Audio Devices*; then, *Sounds and Audio Devices*. If Classic view is selected, double-click *Sounds and Audio Devices* icon.
3. In *Sounds and Audio Devices Properties* dialog box, slide the lever to control the output volume.
4. Click *OK* and close the dialog box; then the *Control Panel* window.



You can also easily adjust the volume in the window that will open when clicking the speaker symbol on the taskbar. When the symbol is not on the taskbar, check the box of Place volume icon in the taskbar in the step 3.

If you want to adjust the output volume of each source individually:

1. Click *start - Control Panel*.
2. Click *Sounds, Speech, and Audio Devices*; then, *Sounds and Audio Devices*. If Classic view is selected, double-click *Sounds and Audio Devices* icon.
3. In *Sounds and Audio Devices Properties* dialog box, click *Advanced...* button of *Device volume* section.
4. Slide the lever of the source that you want to control.
5. Close the dialog box, then; click *OK* and close the *Control Panel* window.

If you control:

- | | | |
|-----------------|---|---|
| Wave | → | Controlling the volume of CD or WAVE file |
| SW Synth | → | Controlling the volume of MIDI file |



Any software containing audio function may also have its own volume control. Note that the volume controls discussed on the previous page and the software volume control will interact with each other.


Adjusting Display


You can adjust the brightness, resolution, and number of colors of the internal LCD display for more comfortable viewing.

2

Changing Brightness of Display

Press and hold **Fn** key and then, press **F6** () key to decrease the brightness of the internal LCD display.

Press and hold **Fn** key and then, press **F7** () to increase the brightness of the internal LCD display.

Press and hold **Fn** key and then, press **F8** () to maximizes the LCD screen brightness. Pressing them again returns the LCD screen brightness to the previous status.

Changing Resolution and Number of Colors

When shipped, your computer is set to the default resolution and color. The default resolution is 1024 x 768 at 64K colors. To change the resolution and the number of colors, follow the instructions below:

1. In the *Display Properties* dialog box, select *Settings* tab.
2. Select the number of the colors in the *Color quality*, and select the resolution in the *Screen resolution*. Refer to the table on the next page.
3. Click *OK*; then, *Yes*.

Available Resolutions and Colors

Resolution	Number of Colors
800 x 600	64K 16M ^{(*)2}
1024 x 768	64K 16M ^{(*)2}
1280 x 1024 ^{(*)1}	64K 16M
1600 x 1200 ^{(*)1}	64K 16M

(*1) Can be chosen for an external monitor only when it is capable of the listed resolution modes. Cannot be set when displaying only on the LCD monitor or on both of the LCD and an external monitor simultaneously.

(*2) On the internal LCD screen, the number of colors in this mode is made using a Dithering algorithm.



- You cannot switch to display resolutions and number of colors that are not available.
- In the Color quality, Medium (16 bit) means 65,536 (64K) colors, and High (24 bit) means about 16,770,000 (16M) colors.
- If you select High;
 - Drawing speed may be delayed.
 - When playing animation, the screen may be distorted.

Changing Wallpaper and Setting Screen Saver

You can enjoy various desktop patterns or screen savers.

Changing Wallpaper

1. In the *Display Properties* dialog box, select *Desktop* tab.
2. Select appropriate wallpaper in *Background*.
3. Click *OK*.

Setting Screen Saver

1. In the *Display Properties* dialog box, select *Screen Saver* tab.
2. Select an appropriate screen saver in *Screen saver* and set time when screen saver starts.
3. Click *OK*.



To disable the screen saver, select [None] from the Screen saver pull-down menu.

Sharing Your Computer

If you are sharing your computer with your colleagues or family members, set a user account for each person. Every user can choose their favorite desktop setting, web site lists, or make their own *My Documents* folder etc., and save them to their user accounts. When you turn on your computer, select your user account.

Setting New User Account

1. Click *start - Control Panel*.
2. Click *User Accounts*. If Classic view is selected, double-click *User Accounts* icon.
3. Click *Create a new account* string.
4. Type a name for the new account and click *Next*.
5. Select the account type; then, click *Create Account*. If you have selected a *Limited* account, then that user account has limits for using your computer. See *Help and Support Center* in *start* menu for more details.
6. Close *User Accounts* dialog box; then, the *Control Panel*.

If more than one user account are set to your computer, you must select which user account you will log in when you turn on your computer.

Log Off Your Computer

“Log off” is useful because you do not have to turn off your computer when you finish your task and pass your computer to another person. There are two ways to log off your computer, *Switch User* or *Log Off*.

If you select *Switch User*, you can pass your computer to another person without closing your current applications. For example, if you are viewing a Web site, and your colleague needs to open a program on your computer, use *Switch User*. You can then view the same Web site by just switching users after your colleague finishes with your computer.

If you select *Log Off*, the system will close all your session and you need to save your files before logging off your computer.

1. Click *start - Log Off*.
2. Select *Switch User* or *Log Off*. If you select *Log Off*, the dialog box, which asks you to save your data may appear.

3. Select a new account to start Windows again.



If you cannot see Switch User in Log Off Windows dialog box, click Change the way users log on or off string in User Accounts dialog box, and check Use Fast User Switching and click Apply Options.

Setting Password to User Account

You can set a password to each user account to avoid unauthorized use of your computer. Once you set the password, you need to enter it when you log on to its account. You cannot start your computer with the user account if its password is not correct, so unnecessary password setting can cause trouble in starting the system.

Setting Password

1. Click *start - Control Panel*.
2. Click *User Accounts*. If Classic view is selected, double-click *User Accounts* icon.
3. Select the account you want to set a password to. You will only have this option if you log onto the computer as a member of the Computer administrators group. If you log on your computer with a limited user account, go to the next step. (You cannot set a password to another user account.)
4. Select *Create a password* string.



- *If the password has been already set, Create a password will not appear.*
- *Only the members of the Computer administrators group can set a password to another user account.*

5. Type a new password.
6. Type the new password again to confirm it.
7. If necessary, type a password hints word to remember the password you set.
8. Click *Create Password*.
9. Close the *User Accounts* dialog box; then, the *Control Panel* window.

Changing Password

1. Follow the steps 1-2 on the previous section.
2. Select the account you want to change, if you log on to your computer as a member of the Computer administrators group. If you log on your computer with a limited account, go to the next step. (You cannot change the password of another user account.)
3. Select *Change the password* string or *Change my password* string.



- *If the password has not been set yet, Change the password or Change my password will not appear.*
- *Only the members of the Computer administrators group can change the password of another user account.*

4. Type the current password. If you are changing another user's password, skip this step.
5. Type a new password.
6. Type the new password again to confirm it.
7. If necessary, type a password hints word to remember the password you set.
8. Click *Change Password*.
9. Close the *User Accounts* dialog box; then, the *Control Panel* window.

Deleting Password

1. Follow the steps 1-2 on the *Setting Password*.
2. Select the account you want to delete its password, if you log on to your computer as a member of the Computer administrators group. If you log on your computer with a limited account, go to the next step. (You cannot delete the password of another user account.)
3. Select *Remove the password* string or *Remove my password* string.



- *If the password has not been set yet, Remove the password or Remove my password will not appear.*
- *Only the members of the Computer administrators group can delete the password of another user account.*

4. Type your password and click *Remove Password*. If you log on to your computer as a member of the Computer administrators group and want to delete the password of another user account, just click *Remove Password*.
5. Close the *User Accounts* dialog box; then, the *Control Panel* window.

Battery and Power Management

This chapter explains how to manage your computer's power effectively and use the battery pack.



In this section, you often see the expression “Power Options Properties dialog box”. To open the dialog box:

1. Click start - Control Panel.
2. Click Performance and Maintenance - Power Options in Category view or double-click Power Options icon in Classic view.

Battery Pack

When not connected to an external power source, your computer operates with the rechargeable battery pack. The duration of the battery life may be longer if your computer's power management is active. See the next section for power management.

To keep the battery life longer:

- Condition the battery pack if the actual remaining power in your battery is less than what Windows *Power Meter* indicates. (See *Conditioning Battery Pack* section in this chapter.)
- Turn off your computer when you are not using it.



- *The duration of the battery depends on your computer usage. Using applications, which heavily use external peripherals, will result in shorter battery life.*
- *When using your computer for several hours with battery power, enable power management and set System hibernate. Refer to the Power Management section in this chapter.*
- *When the battery has not been charged, your computer may not operate properly. Connect the AC power source to charge the battery.*

Charging Battery Pack

1. Connect the AC adapter to your computer. While the battery is being charged, the battery indicator lights orange.
2. When the battery is fully charged, the battery indicator turns green. Charging time may vary according to the status of your computer.



- *The battery indicator may turn off even while the battery is being charged. This is because the battery pack is hot, and the charging stops temporarily. When the battery becomes cool, the charging will start and the battery indicator will turn on again.*
- *When the battery is deep discharged, it may not be charged when your computer is powered on. In this case, charge the battery pack with the power off.*
- *When the power consumption is high, the indicator may turn off.*
- *The battery pack may not be installed correctly if the battery indicator blinks orange. In this case, turn off your computer, remove the AC adapter and the battery pack; then, install the battery pack and connect the AC adapter again. If the battery indicator still blinks orange, ask your local dealer for assistance.*
- *When the battery pack is hot (for example, after a long use), it may take longer to be fully charged.*

3

Checking Battery Level

On Windows

You can check the battery level by placing the pointer on the battery icon (🔋 : powered on battery) or AC plug icon (🔌 : powered on AC power and charging the battery pack) on the taskbar, or double-clicking one of these icons (🔋 , 🔌 or 🖱️ : powered on AC power) to open the *Power Meter* dialog box. If the battery is fully charged, remaining capacity level will not appear even if you point to the icon.

If you cannot see the battery or AC plug icon, follow these instructions:

1. In the *Power Options Properties* dialog box, select *Advanced* tab.
2. Check the box of *Always show icon on the taskbar* and click *OK*.
3. Close the *Control Panel* window.

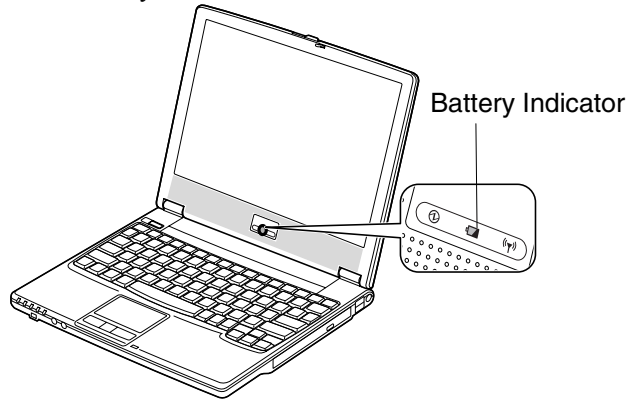


- *The remaining operating time depends on the amount of the power you are consuming. If you are using the audio system, PC card slot, hard disk drive, or peripheral devices with your computer, it may consume more battery power.*

- *The Power Meter may not indicate correctly for a short period after resuming from standby or hibernate mode.*
- *If the actual remaining power in your battery is less than what Power Meter indicates, you should condition the battery pack as per the procedure on Conditioning Battery Pack section in this chapter.*

Low Battery Indication

When the battery power level becomes significantly low, the battery indicator (🔋) blinks red, the warning beep sounds. Save your data and turn off your computer, or connect the AC power source immediately. Otherwise, your computer will be shut down and the unsaved data may be lost.



On Windows, you can set the battery level for sounding an alarm and letting your computer go on System standby, System hibernate or shut down automatically.

To set Windows battery alarm:

1. In the *Power Options Properties* dialog box, select *Alarms* tab.
2. Set the battery level at which the alarms are activated. We recommend you set *Critical battery alarm* to 5 % or more and *Low battery alarm* to more than the value of *Critical battery alarm*.
3. Set the *Alarm Action...* to the appropriate settings.
4. Click *OK* twice.
5. Close the *Control Panel* window.

Conditioning the Battery Pack

You need to condition the battery pack when the actual remaining power in your battery is less than what *Windows Power Meter* indicates, or you buy a new battery pack.

1. Make sure the computer is turned off. Connect the computer to AC power and wait until the battery is fully charged. The battery indicator turns orange first; then, turns to green when the battery pack is fully charged.
2. Turn on the computer.
3. When the message *<F2> to enter System Configuration Utility* appears, press **F2** to open the Setup Utility.
4. Disconnect the AC adapter, and leave the computer on until the battery is completely discharged and the system shuts down automatically.
5. Connect the computer to AC power and let the battery fully charged again.



- *Do not turn on your computer while charging the battery pack.*
- *Do not connect your computer to a wall outlet while discharging the battery. The conditioning will be cancelled.*



Repeated charging and discharging or long-term storage of the battery pack cause battery deterioration. In this case, replace the battery pack with a new one.

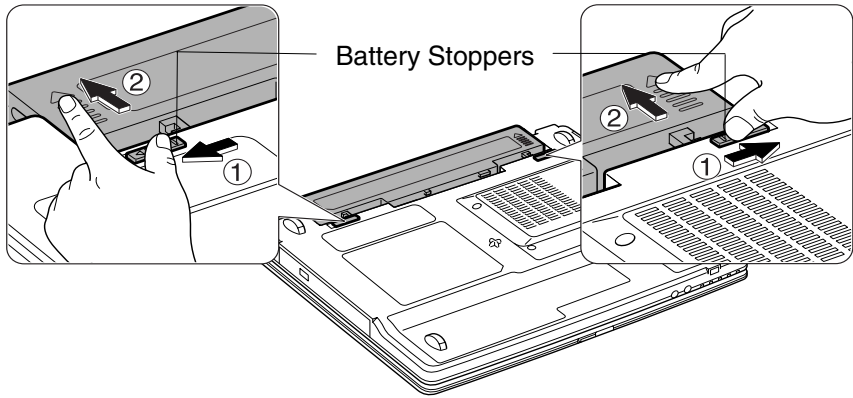
Changing Battery Pack

The capacity of a battery pack gradually decreases when used repeatedly (the deterioration rate depends on the operating environment). If the battery life becomes extremely short even after the conditioning, you should buy a new battery pack. Ask your local dealer for a new battery pack.

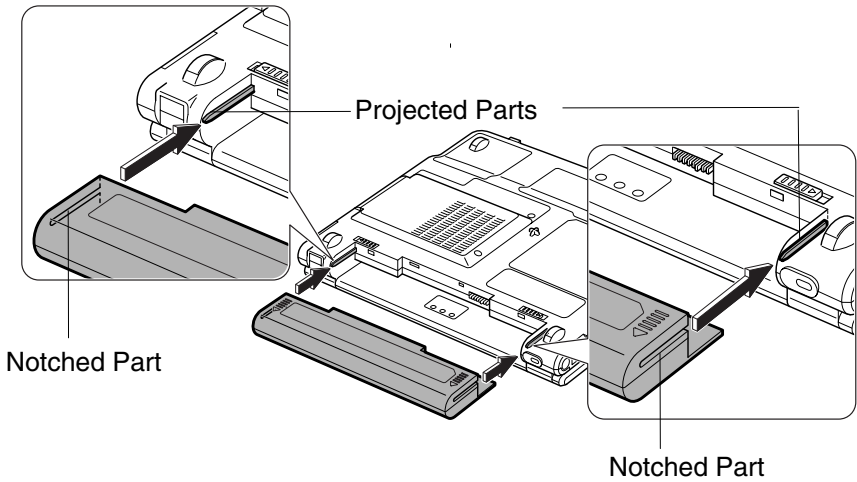
When you replace the battery pack with the optional one:

1. Turn off your computer and disconnect the AC adapter from your computer.
2. Close the display cover and turn over your computer on a flat place.

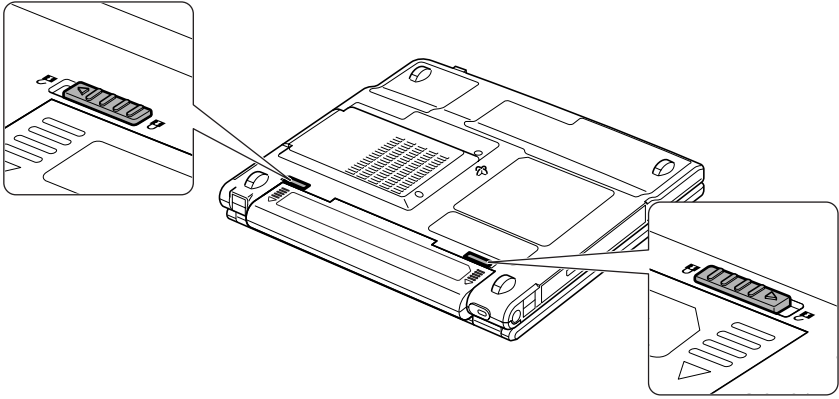
- Slide the two battery stoppers (1) to the unlocked position (a) and hold them; then, push the battery pack (2).



- Insert the new battery pack into the computer by matching the notched part of the battery to the projected parts of the computer.



5. When the battery is properly inserted, you will hear the click sound and the levers go back to their original positions.



Power Management

Power management saves electricity and extends battery life by controlling power supply to built-in devices. You can set the following power management properties on Windows.

- Stopping power supply to the hard disk
- Stopping power supply to the display
- Controlling CPU speed
- Using System standby/hibernate

To open *Power Options Properties* dialog box, click *start – Control Panel*, and click *Performance and Maintenance*; then, *Power Options*. If Classic view is selected, double-click *Power Options* icon.



Note that the power management may not seem to function when you are using an application program that accesses the hard disk periodically.

Stopping Power Supply to Hard Disk

1. In the *Power Options Properties* dialog box, select *Power Schemes* tab.
2. Set *Turn off hard disks* to an appropriate value, and click *OK*.
3. Close the *Control Panel* window.

Stopping Power Supply to the Display



This procedure is also effective for an attached external monitor complying with power management.

1. In the *Power Options Properties* dialog box, select *Power Schemes* tab.
2. Set *Turn off monitor* to an appropriate value, and click *OK*.
3. Close the *Control Panel* window.

Controlling CPU Speed

Windows XP controls the processor performance to reduce power consumption.



Do not control the processor performance, or connect/disconnect the AC adapter while communicating, or reading/writing data. Otherwise your computer may malfunction.

1. In the *Power Options Properties* dialog box, select *Power Schemes* tab.
2. Select an appropriate power scheme from the pull-down menu in *Power schemes* field according to the table below, and click *OK*.
3. Close the *Power Options Properties* dialog box, then the *Control Panel* window.

3

Power Scheme	Processor Performance	
Home/Office Desk	Using AC Power	Always runs at highest performance state
	Using Battery	Performance state will be chosen based on CPU demand
Portable/Laptop	Using AC Power	Performance state will be chosen based on CPU demand
	Using Battery	Performance state will be chosen based on CPU demand
Presentation	Using AC Power	Performance state will be chosen based on CPU demand
	Using Battery	Always runs at lower performance state
Always On	Using AC Power	Always runs at highest performance state
	Using Battery	Always runs at highest performance state
Minimal Power Management	Using AC Power	Performance state will be chosen based on CPU demand
	Using Battery	Performance state will be chosen based on CPU demand
Max Battery	Using AC Power	Performance state will be chosen based on CPU demand
	Using Battery	Always runs at lower performance state



- *Note that Power schemes includes other power management settings (such as a timer for System standby, etc.) appearing on Power Schemes tab. Confirm those settings are set to an appropriate value when you select the processor performance using power schemes facility.*

- You can set your own Power scheme. Set all power management settings to your suitable ones, and click Save as...; then, type an appropriate name and click OK.
- Once the preinstalled Power scheme settings listed on the previous page are deleted, there is no way but re-installation to resume them.

Using System Standby/Hibernate

System standby/hibernate is a very useful power management tool. For example, after your computer has entered *System standby* mode, you can restart your computer more quickly when compared to a restart, after a normal shutdown operation. When your computer resumes from *System standby/hibernate*, the system restores the exact last state of your computer. In Windows, you can define *System standby* or *System hibernate* the system enters under what conditions.

- *System standby* stores the current condition of your computer in RAM and stops power supply to all but a few essential components. Your system enters and resumes from *System standby* per the conditions mentioned later. In *System standby*, the power indicator blinks green. To resume from *System standby*, operate your computer again.
- *System hibernate* saves the current condition of your computer in part of the hard disk and turns off your computer. Your system enters and resumes from *System hibernate* per the conditions mentioned later. In *System hibernate* the power indicator is off. To resume from *System hibernate* press the power button.



When entering/resuming from System standby/hibernate, follow these instructions:

- *Finish communications, printing, and playing music or video before entering System standby/hibernate.*
 - *Do not operate your computer or peripheral devices, or connect/disconnect peripheral devices, while entering/resuming from System standby/hibernate.*
 - *While operating with a battery, your computer may not resume from System standby/hibernate if the battery capacity is not enough. In this case, connect the AC adapter to your computer.*
 - *Save your data before your computer enters System standby. If the power supply to your computer is stopped, the RAM contents will be lost.*
 - *Select your user account if Windows requires when your computer resumes from System standby/hibernate.*
-

Supporting System Hibernate



If your battery becomes completely discharged during System standby, you will lose unsaved data and will need to reboot your computer. Therefore, if you are planning to leave your computer powered by battery for long periods of time, we recommend System hibernate.

Confirm that *System hibernate* is supported with the following steps.

1. In the *Power Options Properties* dialog box, select *Hibernate* tab.
2. Confirm *Enable hibernation* is checked, in *Hibernate* field.
3. Click *OK*, and then, close the *Control Panel* window.

3 Set Timer to Enter System Standby/Hibernate Automatically

Your computer will enter System standby/hibernate automatically when the specified time has passed without any operation. To set the time:

1. In the *Power Options Properties* dialog box, select *Power Schemes* tab.
2. From the pull-down menu of *System standby* or/and *System hibernates*, select the elapsed time before your computer automatically enters System standby/hibernate.
3. Click *OK*.
4. Close the *Control Panel* window.

Entering System Standby/Hibernate

Your computer enters *System standby/hibernate* in each of the following cases:

- You select *Stand By* or *Hibernate* (which will replace *Stand By* if you press **Shift** key) in the *Turn off computer* dialog box. To open the dialog box, click *start – Turn Off Computer*.
- The specified time in *System standby* or *System hibernates* in *Power Schemes* tab of *Power Options Properties* dialog box has passed without any operation (See the previous section).
- The screen cover is closed.


The above functions if you perform the following:

1. In the *Power Options Properties* dialog box, select *Advanced* tab.
2. Select *Hibernate* or *Stand by* in *When I close the lid of my portable computer* field.
3. Click *OK*.
4. Close the *Control Panel* window.

- You press the power button.

The above functions if you perform the following:



1. In the *Power Options Properties* dialog box, select *Advanced* tab.
2. Select *Hibernate* or *Stand by* in *When I press the power button on my computer* field.
3. Click *OK*.
4. Close the *Control Panel* window.

- You press **Fn+F12** ()

The above functions if you perform the following:

1. In the *Power Options Properties* dialog box, select *Advanced* tab.
2. Select *Hibernate* or *Stand by* in *When I press the sleep button on my computer* field.
3. Click *OK*.
4. Close the *Control Panel* window.



*If Ask me what to do is selected in the step 2 of You press the power button or You press **Fn+F12** () , the Turn off computer dialog box will appear when you press the power button or **Fn+F12** () key combination. You can select System standby or System hibernate at that timing.*

- The battery level is low.

The above functions if you set the alarm in Windows. See *Low Battery Indication* earlier in this chapter.

Disabling Power Management

1. In the *Power Options Properties* dialog box, select *Power Schemes* tab.
2. Set *Turn off monitor*, *Turn off hard disks*, *System standby*, and *System hibernates* to *Never*; then, click *OK*.
3. Close the *Control Panel* window.



Peripherals

This chapter describes how to use peripheral devices with your computer. You can connect a floppy disk drive unit, a printer, an external monitor, a PC card, or other devices to your computer. To ensure proper use, be sure to read the instructions for each peripheral device before connecting it to your computer.

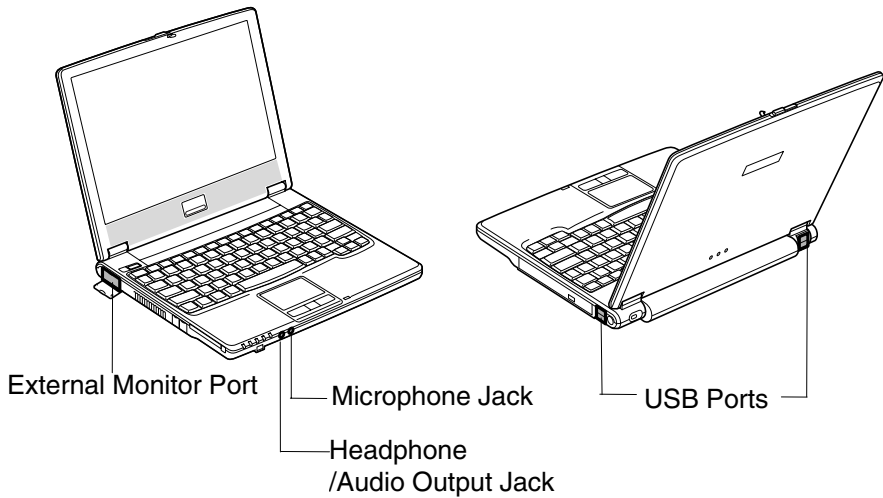
Using Peripherals

Your computer has connectors for peripheral devices, shown on the next page. For connection, refer to the section explaining each device, or contact your dealer.




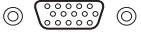


- *Be sure to turn off your computer and the peripheral devices before connecting them (except when connecting/inserting USB devices, a PC card, etc.).*
- *Confirm the peripheral devices you will connect are Windows XP compatible.*
- *When you connect some of the devices, you may have to turn on your computer before powering on the devices.*
- *Some devices require that you install their drivers before use.*

Connectors for peripherals



4

Connector Shape

Connector name	Connector shape
USB Port	
External Monitor Port	
Headphone/ Audio Output Jack	
Microphone Jack	

Optional External Floppy Disk Drive Unit

You can use double-density (2DD) 720KB or high-density (2HD) 1.44MB floppy disks with the optional external floppy disk drive unit (CE-FD05).

Connecting Optional External Floppy Disk Drive Unit

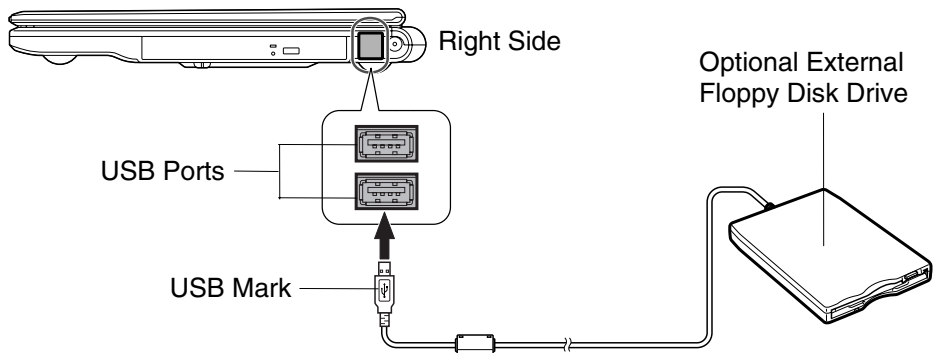


- Do not place the floppy disk drive unit on its side or upside down.
 - Do not press on the floppy disk drive unit. It may damage the drive or cause malfunction.
 - Do not place the AC adapter on the floppy disk drive unit. It may cause the drive to malfunction.
-

Connect the floppy disk drive unit cable to one of the USB ports on your computer.



When connecting the cable to either of the USB ports on the right side of your computer, be sure to let the USB mark side up, and let the USB mark side down when using the USB ports on the rear side of your computer.

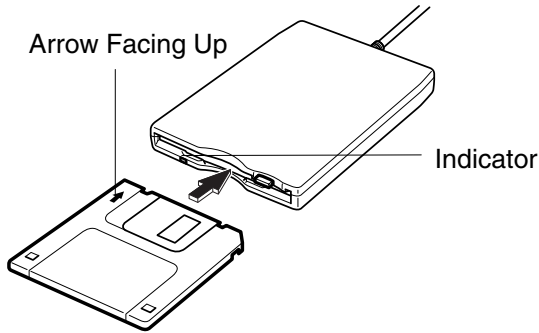


Handling Floppy Disk

- Do not open the shutter and touch the disk inside; otherwise, you will not be able to read or write data to the disk.
- Do not place floppy disks near magnets or heat source, in direct sunlight or in a dusty place, etc.
- Never subject a disk to sudden shocks or extreme vibration. Do not drop, bend, or place heavy objects on a disk.
- Do not spill liquid onto a disk.

Inserting Floppy Disk

Hold the floppy disk with the arrow facing up, toward the drive. Slide the disk into the drive until it locks into place.



- Always insert a floppy disk straight into the floppy disk drive.
 - When inserting the disk, make sure it is not upside down.
 - Do not use excessive force when inserting the floppy disk. If you have difficulty inserting or removing disks, seek the assistance of an authorized service technician.
 - Do not touch the disk while reading/writing data. It may cause malfunction of your computer and the drive.
-

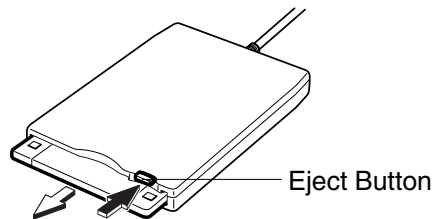
4

Ejecting Floppy Disk



Before ejecting the floppy disk, make sure the indicator of the floppy disk drive unit is not lit.

Press the eject button firmly. The disk pops out slightly. Eject it and store it properly.



Formatting Floppy Disk


1. Make sure the floppy disk is not write-protected, and insert it into the floppy disk drive.
2. Click *start - My Computer*.
3. Right-click *3 1/2 Floppy (A:)* icon; then, click *Format...* from the pop-up menu.
4. Select the appropriate formatting options.
5. Click *Start* to start formatting.



- *When you format a floppy disk that already contains data, all of the data stored on the disk will be lost.*
 - *You cannot format a double-density (2DD) 720KB floppy disk.*
-

Removing Optional External Floppy Disk Drive Unit

To remove the unit, you need to perform the following steps before you remove it:

1. Click *Safely Remove Hardware* icon () on the taskbar.
2. Click *Safely remove Mitsumi USB Floppy – Drive(A:)*; then, *Safe To Remove Hardware* dialog appears.
3. Remove the unit from your computer.

External Display

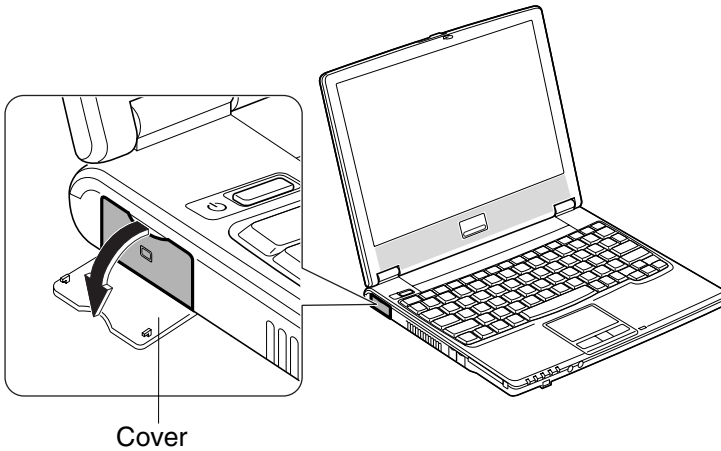
You can use an external monitor with your computer. To display the images on both displays simultaneously, use the 1024x768 resolution.



- *Some monitors, which are not compatible with your computer, may not display correctly.*
- *In this section, you often see the expression “Display Properties dialog box.” To open the dialog box, right-click somewhere on the Windows desktop and select Properties from the pop-up menu.*

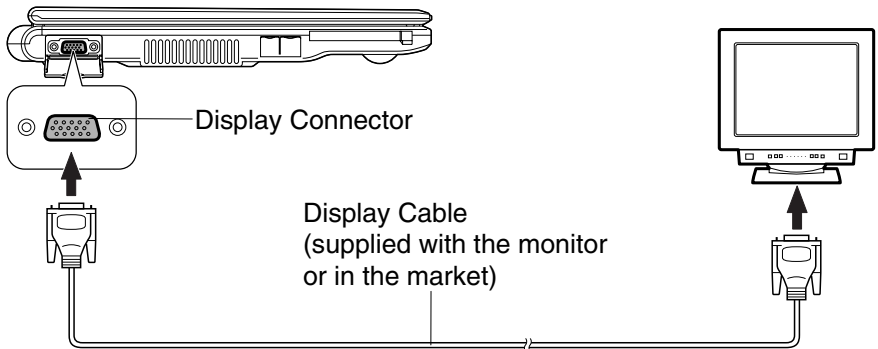
Connecting External Monitor

1. Turn off your computer and the external monitor.
2. Open the display connector cover.



Be sure to close the connector cover when the connector is not used..

3. Connect one end of the display cable to the display connector, then, the other end of the display cable to your external monitor. If the display cable has screws, be sure to tighten them.



4. Turn on the external monitor; then, your computer.



Disconnecting External Monitor

1. Turn off your computer and the external monitor.
2. Remove the display cable from your computer.

Switching Display

1. In the *Display Properties* dialog box, select *Settings* tab; then, click *Advanced* button.
2. Select *S3Display* tab; then, check the box of the desired output display(s) and click *OK*.
3. Click *OK* in the *Confirmation* window.
4. Click *Yes* in the *Confirmation* window.
5. Click *OK*.



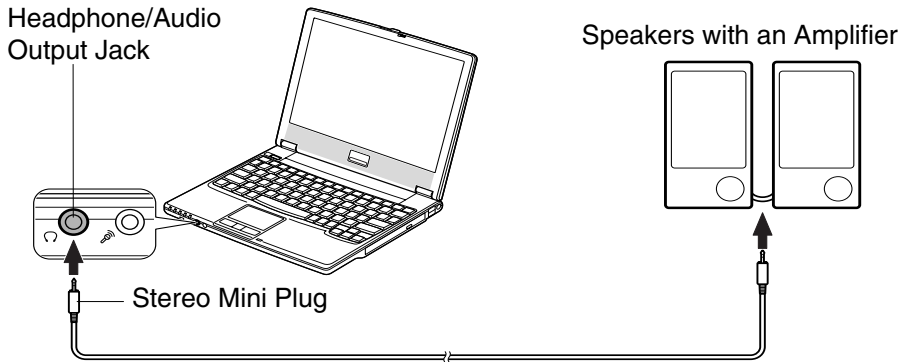
- You can also switch the display with **Fn+F5** () .
- When you log on your computer as a member of the *Limited* group, you cannot switch the display with the dialog box. Use **Fn+F5** () keys.
- While playing video or animation, you may not be able to switch the display.

Audio System

You can output sound to speakers, audio equipment or headphones and also input sound through a microphone.

Connecting Speaker

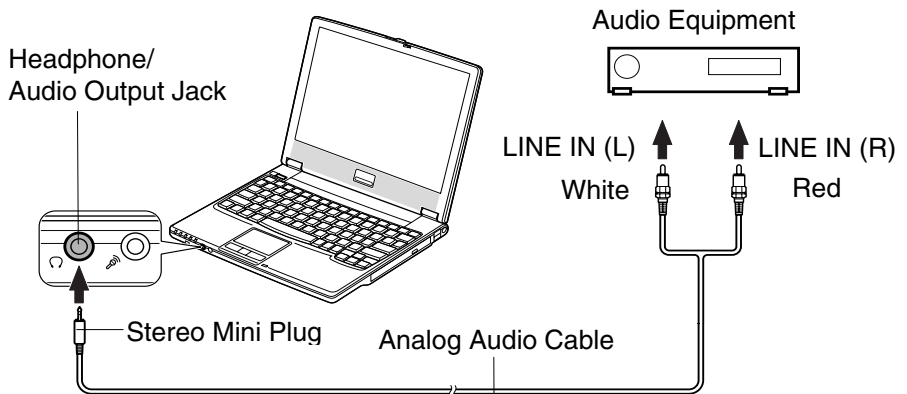
You can connect stereo speakers with an amplifier to the audio output jack on your computer



4

Connecting Audio Equipment

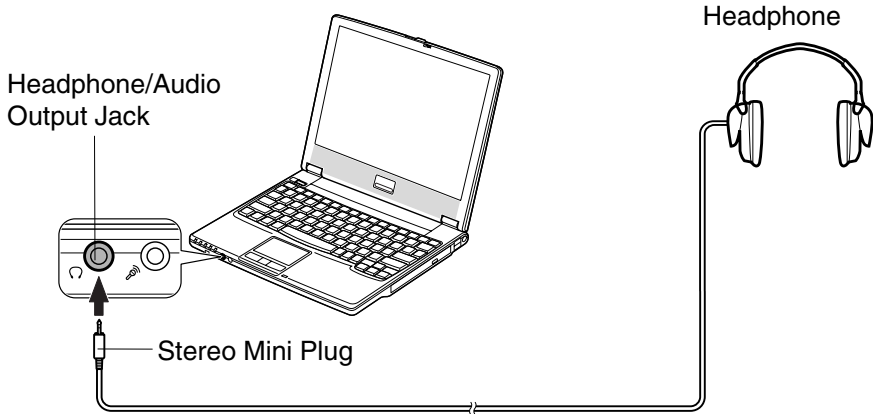
You can connect analog audio equipment to the audio output jack on your computer.



*You can adjust the output volume on Windows by clicking the speaker symbol on the taskbar or use **Fn + F3** (🔊) or **F4** (🔊) keys combination.*

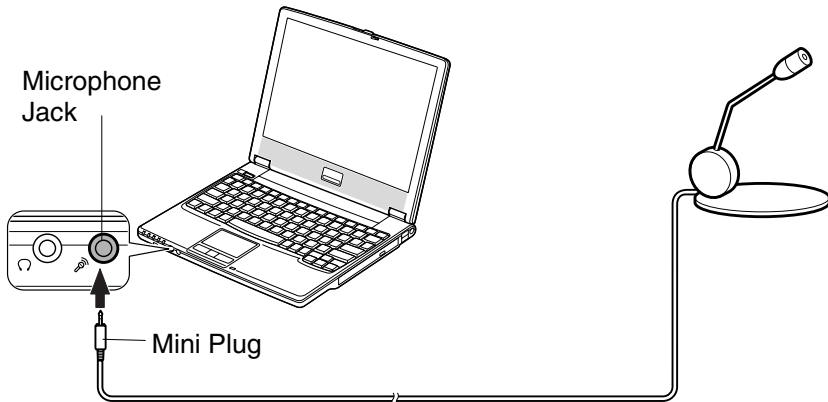
Connecting Headphone

Use the headphone with an impedance of 8Ω or more (32Ω is recommended.)



Connecting Microphone

You can input sound using an external microphone connected to the microphone jack. Use an electret condenser microphone with an impedance of $1.5\text{ k}\Omega$ through $2.4\text{ k}\Omega$ and an allowable voltage of 2.5 V .



To record sound:

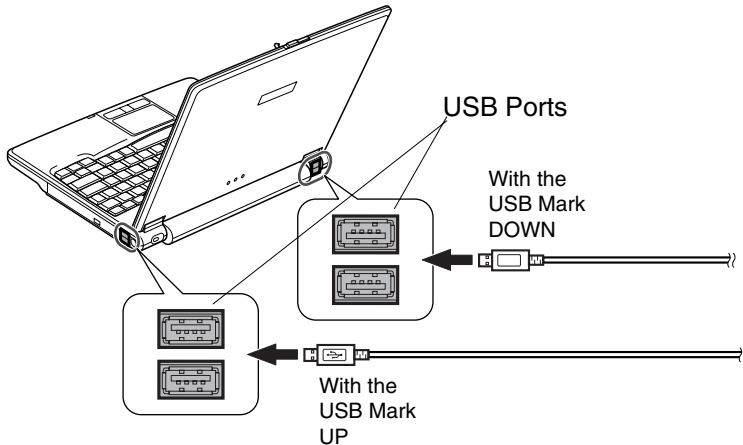
1. Click *start*; then, point *All Programs – Accessories – Entertainment*.
2. Click *Sound Recorder*.
3. See *Help* for *Sound Recorder* for more information.

USB Device



Your computer has an interface called Universal Serial Bus (USB) and its four USB ports support USB1.1 and USB2.0. With a USB connection, you can connect/disconnect peripherals without turning off your computer. Generally, when you connect a device to your computer, the necessary driver will be installed automatically. See also the manuals of peripheral devices supporting USB.



- *When a new device is correctly connected to your computer, the appropriate driver is automatically installed. If the driver is not installed correctly, you will see the message on the screen. In this case, install the driver with the instructions on the screen.*
- *The USB ports have different orientations according to the location on your computer. Be sure to insert a USB cable in a correct orientation. (See the illustration below.)*



To remove USB devices, you may need to perform the following instructions before you remove them:

1. Click *Safely Remove Hardware* icon () on the taskbar. If you cannot find the icon, click  to show all kinds of icons. If the icon does not appear, go to Step3.
2. Click *Safely remove xxxx* (xxxxx is the name of your USB device); then, *Safe To Remove Hardware* dialog appears.
3. Remove the device from your computer.

PC Card

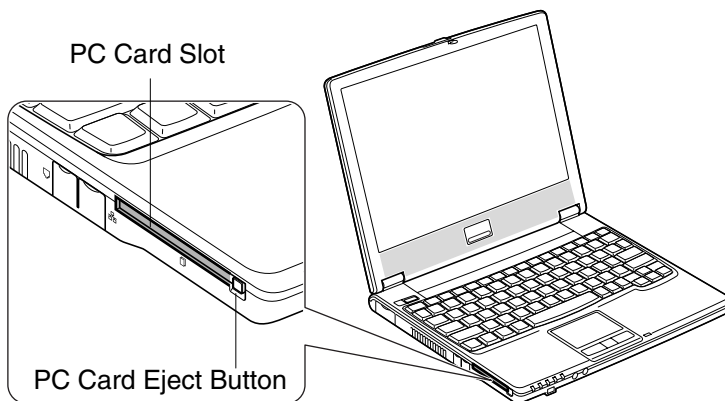
Your computer is equipped with a PC card (supporting PC Card Standard, CardBus compliant) slot, which can accommodate a Type II card. You can insert/eject the card without turning off your computer. Before inserting a PC card into the slot, refer to its manual.

Inserting PC Card

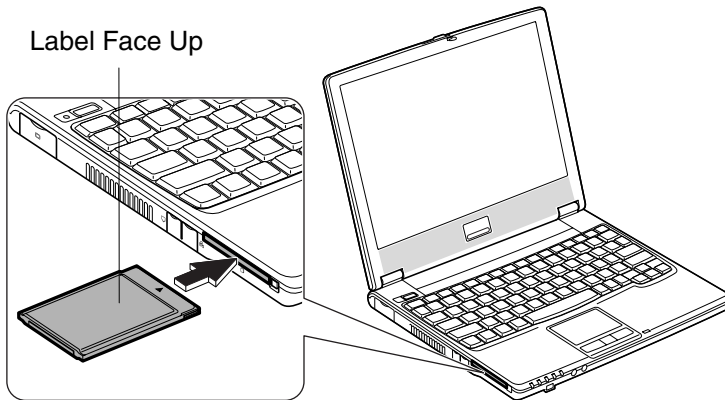


- *When a new card is correctly inserted, the appropriate driver is automatically installed. If the driver is not installed correctly, you will see the message on the screen. In this case, install the PC card driver by following the instructions on the screen.*
- *When you insert a protruding card such as wireless networking card;*
 - *Do not give force to the card; otherwise your computer may be damaged.*
 - *Do not carry your computer with the card inserted; otherwise your computer may be damaged.*

1. Confirm the PC card eject button is inside your computer cabinet. If the button is not inside your computer cabinet, push it back into the cabinet.



2. Insert a PC card into the slot with the label face up until it locks into place.





If the dialog box asking you *What do you want Windows to do?* appears, select the task you want.

4

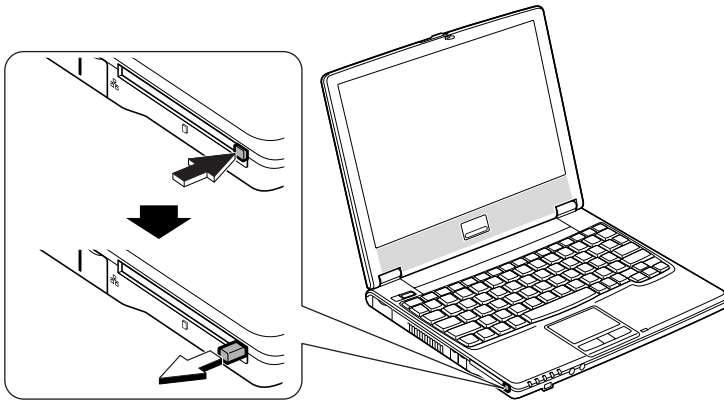
Ejecting PC Card



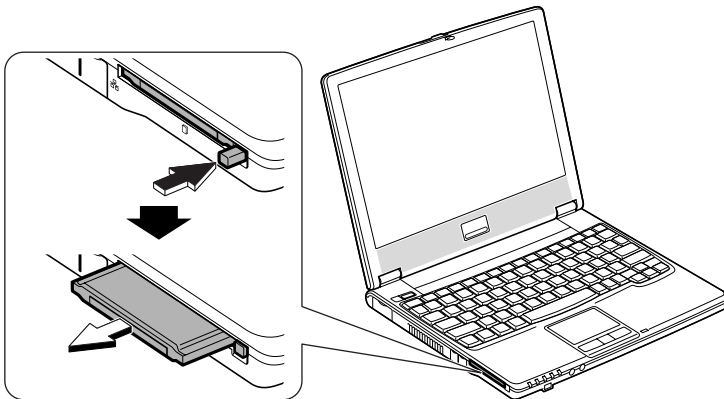
- *Some PC cards may become hot after long use.*
 - *Be sure to use the procedure below when ejecting a PC card. Otherwise, the system may not work properly.*
-

1. Click *Safely Remove Hardware* icon () on the taskbar. If you cannot find the icon, click  to show all kinds of icons.
2. Click *Safely remove xxxx* (xxxxx is the name of your PC card); then, *Safe To Remove Hardware* dialog appears.

3. Push the PC card eject button so that it will pop out from the side of your computer.



4. Push the eject button until the inserted PC card pops out; then, remove it.



5. Push the PC card eject button all the way inside the cabinet for safekeeping.

Printer

You can connect a USB printer to any of the USB ports on your computer.



Before using a printer, read the printer manual and install the printer driver.

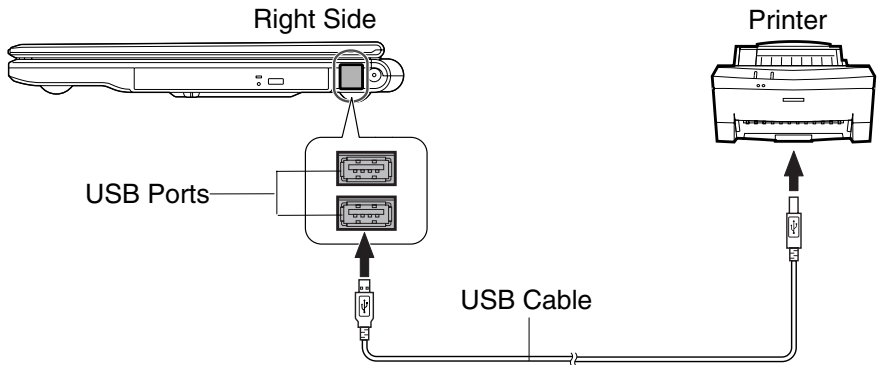
Connecting Printer



- *Be sure to read the printer manual before connecting a USB printer to your computer. Some printer may not use Found New Hardware wizard to install the printer driver.*
- *When connecting the cable to either of the USB ports on the right side of your computer, be sure to let the USB mark side up, and let the USB mark side down when using the USB ports on the rear side of your computer.*

4

You can connect the USB printer to your computer without turning off your computer.



Communication Functions

This chapter explains how to use the built-in modem, the wired LAN unit, and the wireless LAN function.



- *When you use communication software:*
 - *Connect your computer to the AC power source.*
 - *Disable power management. (Refer to Disabling Power Management of Chapter 3.)*
 - *See also the manual or online help of the software you are using.*
- *The communication speed may vary depending on the traffic, local telecommunications infrastructure, and ISP (Internet Service Provider) infrastructure.*

Built-in Modem

You can use the built-in modem for data transfer and fax communication.



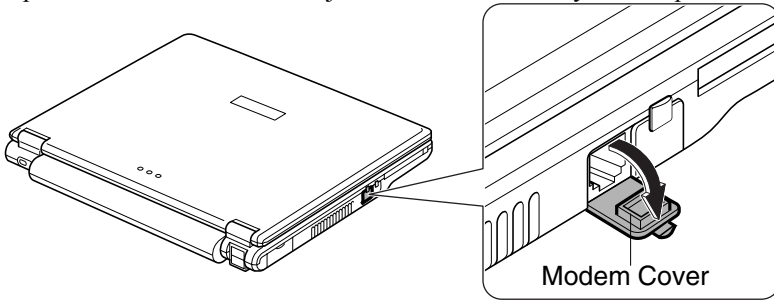
- *The built-in modem on your computer is designed only for regular analog telephone lines. The modem may be damaged when connected to a digital ISDN terminal or a digital PBX.*
- *Use TA (terminal adapter) to connect the built-in modem to a digital telephone line.*
- *If an unusual device is attached to the line you are connecting to, the modem may not function properly. Remove the device or contact the dealer of the device.*
- *Before connecting to a PBX, consult the PBX maintenance staff or its service company. If the electric characteristics of your PBX are different from those of a regular analog line, the modem will not function properly. If you connect the modem to a digital PBX, both the modem and the PBX may be damaged.*



- *Within the communications software you are using, set the COM port of the built-in modem to COM 3 and modem name to SmartLink 56K Modem if required.*
 - *Before commencing with fax communication, it is recommended that you exit other application programs.*
-

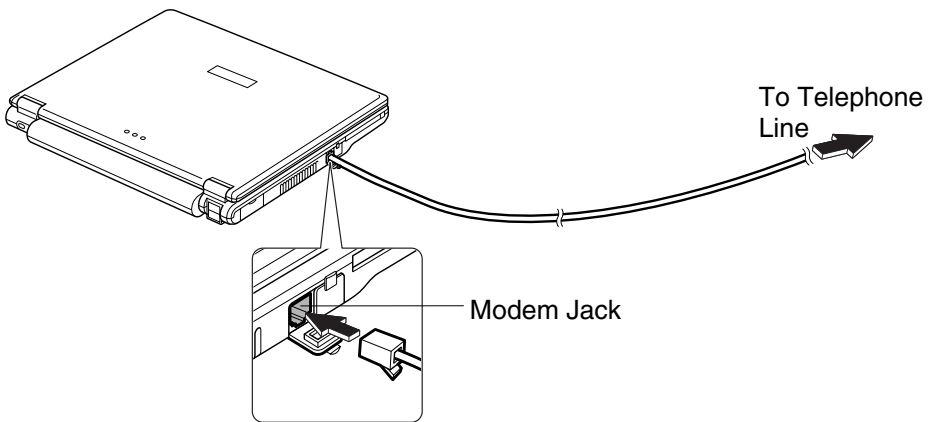
Connecting Modem to Telephone Line

1. Turn off your computer.
2. Open the cover of the modem jack on the left side of your computer.



To avoid damaging the modem, close the modem cover after you finish using the built-in modem.

3. Connect the core end of the included modem cable to the modem jack and the other end to the telephone line.



Be sure not to insert the modem cable into the LAN jack. It may damage the LAN jack and the modem cable.

4. Turn on your computer.



Connect the modem to the telephone line directly. Do not use a distributor or allotter.

Configuring Modem

You may have already configured your modem during Windows setup process. Otherwise, make the necessary adjustments as shown below.

Modem Configuration

When you use the modem first time, you must type your location's information.

1. Click *start – Control Panel – Printers and Other Hardware*; then, *Phone and Modem Options*. If Classic view is selected, double-click *Phone and Modem Options* icon.
2. In *Location Information* dialog box, select your country, type your area code, etc. and select your dial type; then, click *OK*.

After the configuration, click or double-click *Phone and Modem Options* (icon) to open *Phone and Modem Options* dialog box and double-click the location name in *Locations* field of *Dialing Rules* tab for the information you set above.

Clicking *Edit...* or *New...* allows you to make a new location or change the settings.

Internet Connection

Windows XP has a special Internet connection wizard to help you to connect to the Internet with ease.

1. Click *start – Control Panel - Network and Internet Connections*; then, *Network Connections*. If Classic view is selected, double-click *Network Connections* icon.
2. In *Network Connections* dialog box, click *Create a new connection* of *Network Tasks* section. The *New Connection Wizard* dialog box appears.
3. Follow the instructions on the screen.

If you plan to connect into the Internet and dial an Internet Service Provider (ISP) through the modem, have your account information and dial-up number ready before you begin the wizard. Once you set your connection, you can see or edit the connection status by double-clicking the icon appearing on *Dial-up* of *Network Connections* dialog box.

LAN Unit

You can connect to a LAN (Local Area Network) with the 100 Base-TX/10 Base-T LAN units on your computer. To activate the LAN unit, perform the following steps.



Never insert any cables, but a LAN cable, which have different electric characteristics from those of the LAN cable. Otherwise, the LAN unit and the cables may be damaged.

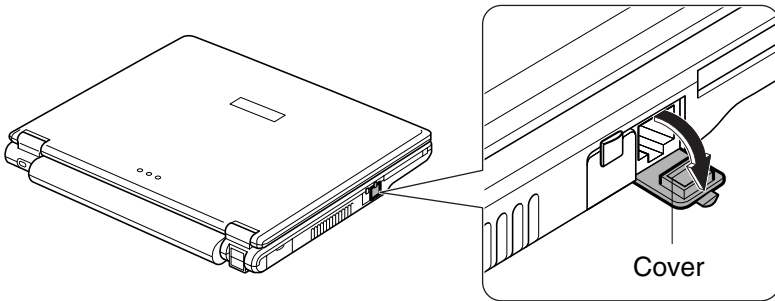


Use a category 3 or a category 5 LAN cable when connecting to 10 BASE-T LAN, and the category 5 only when connecting to 100 BASE-TX LAN.

Connecting Your Computer To LAN

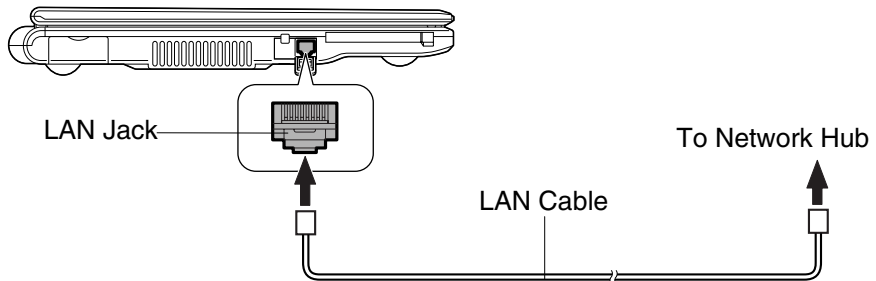
1. Turn off your computer.
2. Open the cover for the LAN jack on the left side of your computer.

5



To avoid damaging the LAN unit, close the cover after you finish using the LAN unit.

3. Connect one end of the LAN cable to the LAN jack and the other end to the network hub.



4. Turn on your computer.

Configuring LAN Unit

1. Click *start - Control Panel*.
2. Click *Network and Internet Connections*; then, *Network Connections*. If Classic view is selected, double-click *Network Connections* icon.
3. Right-click *Local Area Connection*.
4. From the pop-up menu, click *Properties*.
5. In the *Local Area Connection Properties* dialog box, set the network setting according to the instruction of your network administrator.



Make sure to log on your computer as a member of the Computer administrators group. Otherwise, you cannot set or change some settings for the LAN unit.

If you cannot access the network,

1. Click *start - Control Panel*.
2. Click *Performance and Maintenance*; then, *System*. If Classic view is selected, double-click *System* icon.
3. Click *Hardware* tab; then, *Device Manager* button.
4. Double-click *Network adapters*, then, *VIA PCI 10/100Mb Fast Ethernet Adapter*.
5. Click *Advanced* tab, and select *Connection Type* in *Property* list and select an appropriate value in *Value* pull-down menu.
6. Click *OK* and close the *Device Manager* window.
7. Click *OK* and close the *Control Panel* window.

Configuring Network Settings

You can configure your network settings in various manners according to network environments. This section provides one of them with the following conditions.

- When connecting two computers, which do not have Internet connections, directly each other with a cross LAN cable
- When the other computer is running on Windows XP
- When using the *Network Setup Wizard* for network configuration

Configuring Network Settings of Your Computer



Prior to configuring, be sure to connect two computers with a cross LAN cable.

1. Click *start – All Programs – Accessories – Communications – Network Setup Wizard*. The *Network Setup Wizard* dialog box will open.
2. Click *Next*.
3. Click *Next* again.



When a message “The wizard found disconnected network hardware.” appears:

- *With Local Area Connection string displayed in Connections field, click Cancel to quit the wizard and confirm the other computer is powered on or the both computers are connected correctly with a cross cable.*
 - *Otherwise, check the box of Ignore disconnected network hardware and then, click Next.*
4. Select *Other* and click *Next*.
 5. Select the third option, *This computer belongs to a network that does not have an Internet connection*, and click *Next*.
 6. Select the second choice, *Let me choose the connections to my network*, and click *Next*.
 7. Clear the box of *Wireless Network Connection*.



Confirm only the box of Local Area Connection is checked.

8. Click *Next*.
9. Input *Computer description* if necessary and *Computer name*, then, click *Next*.



The Computer name should be unique. Type a name that is different from that of the other computer.

10. Type a *Workgroup name* and click *Next*.



The Workgroup name should be same as that of the other computer.

11. Click *Next*. The network configuration will start.
12. Select the forth option, *Just finish the wizard; I don't need to run the wizard on other computers*, and click *Next*.
13. Click *Finish*, then, *Yes*. Your computer will restart.

Change Your Computer Name or Workgroup Name

When you need to change your computer name or workgroup name, follow these instructions.

1. Click *start – My Computer*.
2. Click *View system information* in *System Tasks* field. *System Properties* dialog box will open.
3. Click *Computer Name* tab and *Change...* button. *Computer Name Changes* dialog box will appear.
4. Type the *Computer name* and the *Workgroup* in each field and then, click *OK*.
5. Click *OK* twice and *Yes*. Your computer will restart.

Sharing Files and Folders

You can share files and folders on each computer when they are permitted to share. With the function you can copy documents stored on your desktop computer to your notebook computer or display data on your computer and the other computer.

Sharing Files and Folders

This section provides how to share a folder on the network. With these steps you can also share a drive.

1. Right-click a folder to be shared and click *Sharing and Security.... XXX Properties* dialog box will open. (XXX is the folder's name.)
2. Check the box of *Share this folder on the network*. Confirm the name typed in *Share name* field is the folder name to be shared.




When you have not used Network Setup Wizard or shared any folders or drivers before, follow these instructions to enable file sharing.

1. *Click* If you understand the security risks but want to share files without running the wizard, click here *in* Network Sharing and Security *section*. Enable File Sharing *dialog box will appear*.
2. *Select* Just enable file sharing *and click* OK.
3. *Check the box of* Share this folder on the network *and type the folder name to be shared in* Share name *field*.

3. Click *OK*.



The icon of the shared folder will be added a sharing symbol ().

Copying Shared File

1. Click *start – Control Panel*.
2. Click *Network and Internet Connections*; then, *Network Connections*. If Classic view is selected, double-click *Network Connections* icon.
3. Click *My Network Places* in *Other Places* field located on the left.
4. Click *View workgroup computers* in *Network Tasks* field. All the icons of computers belonging to the same workgroup will appear.
5. Double-click the icon of the other computer. The shared folder(s) will appear.
6. Double-click the shared folder. When a password is required, type it.
7. Drag and Drop the desired file to the desktop of your computer. The copied file is created on your computer.
8. Close the window.

Wireless LAN

Your computer has an integrated wireless LAN function compliant with IEEE 802.11g standard . You can access the network by the wireless LAN.


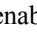
There are two kinds of wireless networks: a network using an access point and an Adhoc network. You can connect your computer to a wired LAN or the Internet through an access point that is also compliant with IEEE 802.11b or 802.11g standard. The Adhoc network consists of a number of computers each equipped with wireless networking interface. Each computer can communicate directly with other wireless enabled computers.

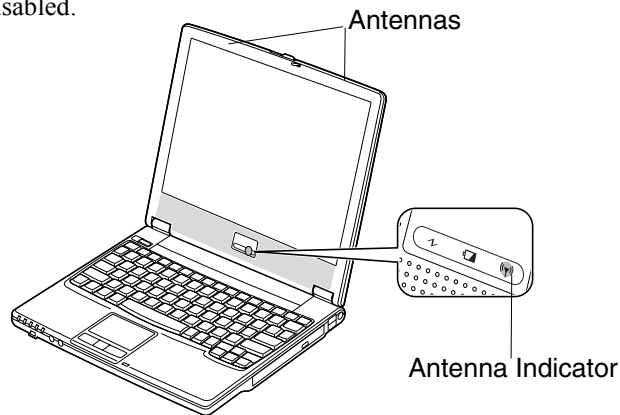


The range to give reliable performance and the quality of connection vary depending on the environment where you perform.

To communicate through the wireless LAN, activate the integrated antennas with the following steps.

Activating Antenna

You can enable/disable the antennas by pressing **Fn + F1** () key combination. When the antenna indicator () lights green, the antenna is enabled. When the indicator light is off, it is disabled.



Connecting to Internet via an Access Point

You can connect your computer to the Internet or a wired network via an access point supporting IEEE 802.11b or 802.11g. Refer to the manual of the access point or consult your network administrator if you are not sure.

Communicating with Other Computers



- *Confirm each computer is enabled for wireless LAN.*
- *Make sure to log on your computer as a member of the Computer administrators group. Otherwise, you cannot set or change some settings for wireless LAN.*

1. Click *start – Control Panel*.
2. Click *Network and Internet Connections – Network Connections*. If Classic view is selected, double-click *Network Connections*.
3. Select *Wireless Network Connection*; then, click *Change settings of this connection* of *Network Tasks*.
4. Double-click *Internet Protocol (TCP/IP)* in *This connection uses the following items*.
5. In *Internet Protocol (TCP/IP) Properties* dialog box, select *Use the following IP address* and set a unique *IP address* to *192.168.1.2* through *192.168.1.254* and the *Subnet mask* to *255.255.255.0*; then, click *OK*.



- *The IP address of each computer should be unique.*
- *The Default gateway can be blank.*

6. Click *Wireless Networks* tab; then, *Advanced* button in the lower right of the dialog box. *Advanced* dialog box appears.
7. Select *Computer-to-computer (ad hoc) networks only*; then, click *Close* button.
8. Click *Add...* button in *Preferred networks of Wireless Network Connection Properties* dialog box.
9. Type a name of the network in *Network name (SSID)* field of *Wireless Network Properties* dialog box.



- *Confirm your computer and other computers are connecting to the same network.*

10. Click *OK* twice; then, close the *Control Panel* window.




11. Configure the network by setting the name of your computer and workgroup.



To communicate with other wireless enabled computers, set your computer name and the workgroup name. Your computer name should be unique and the workgroup name should be same as others.


Confirming Status of Wireless Connection

Before performing the following instructions, confirm the devices that you want to communicate with are enabled for wireless LAN.

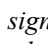
1. Click *Wireless Network Connection* icon ( or ) on the taskbar. If you cannot find the icon, click  to show all kinds of icon. *Wireless Network Connection* dialog box appears. If *Wireless Network Connection Status* dialog box appears, go to Step 7.
2. Select a network you want to access in *Available wireless networks* in *Wireless Network Connection* dialog box. If the network requires the *Network key* entered, go to Step 4. If it is not set *Network key*, the caution message appears.



*When the network name you want to access does not appear, click **Advanced** tab; then, **Refresh** button of Available networks in *Wireless Network Connection Properties* dialog box; then, click **OK**.*


3. When you agree with the message, check the box of *Allow me to connect...* and go to Step 5.
4. Type the required *Network key*. (Refer to *Connecting WEP configured network* section.)
5. Click *Connect* button.
6. Click *Wireless Network Connection* icon () on the taskbar.
7. In *Wireless Network Connection Status* dialog box, confirm your connection status.



- *The number of green signals () shows the connection quality. The more signals light on, the better quality is given to your computer.*
- *When the quality of connection is poor, adjust the distance between your computer and other devices or the access point you are communicating with and/or the facing direction of your computer.*

Connecting WEP configured network

Wireless communication has security issues. Some networks are configured with WEP (Wired Equivalent Privacy) keys or encryption keys to protect the transmitted data. To connect into the WEP configured network, follow the steps below.

1. Right-click *Wireless Network Connection* icon () on the taskbar and click *View Available Wireless Networks*.
2. Select the network you want to connect in *Available wireless networks* of *Wireless Network Connection* dialog box.
3. Type its encryption key in *Network key* field, type it again to confirm and click *Connect* button.



- *When you select a network that is not configured for encryption settings in the step 2, the caution message appears. If you agree to connect to the unsecured network, check the box of Allow me to connect to the selected wireless network, even though it is not secure.*
- *When the key index of your computer is different from that of the network, you cannot access the network. Set the same key index with the following steps. Note that some access points have the key index options 0 through 3. Refer to the table below for matching.*

1. *Open the Wireless Network Connection Properties dialog box. (Refer to the steps in Communicating with Other Computers section.)*
2. *Select the network you want to access in Preferred networks section and click Properties button.*
3. *Confirm the box of Data encryption (WEP enabled) is checked, uncheck the box of The key is provided for me automatically and set the key index.*

Key index matching table

Access Point 1	Access Point 2	Your computer
1	0	1
2	1	2
3	2	3
4	3	4

(ex. When your access point type is “Access Point 2” and its key index is set to 0, set 1 to the key index of your computer.)

Network Setup Utility

With the Network Setup Utility, you can set up your specific network settings adjusted for your environments such as work, home, etc. and select the appropriate one to the environment. You can also change the network settings.



- *Not every setting item can be stored.*
- *The Network Setup Utility may not be compliant with all network environments.*

Loading Network Settings

To set your specific network settings, confirm that your computer is connected into the network and has the proper settings for your current environment and follow the instructions below.

1. Click *start – All Programs – SHARP Network Setup Utility – SHARP Network Setup Utility*.
2. Click *OK*.
3. Click *Set*, select *SHARP icon* or *Windows icon*, then, click *Select icon* button.
4. Select an icon and click *OK*. Type a network name, then, click *OK*. The selected icon appears in the *Network Setup Utility* window.



It takes a moment to load the network settings.

Switching Network

To switch the network set above, confirm your computer is ready to connect into the network and follow the instructions below.

1. Click *start – All Programs – SHARP Network Setup Utility – SHARP Network Setup Utility*.
2. Click *OK*.
3. Select the appropriate network icon in the *Network Setup Utility* window.
4. Click *OK*.



- *Make sure your computer is connected to the proper environment.*
- *If your hardware or software configuration has been changed, you may not be able to switch to the network properly. In this case, you may need to reconfigure the settings.*

Changing Network Settings

To change the loaded network settings, right-click on the icon you want to change the settings in the *Network Setup Utility* window and click *Edit settings* in the pop-up menu. Then, edit the settings.

Deleting Network

To delete the loaded network settings, right-click on the icon you want to delete in the *Network Setup Utility* window and click *Delete setting* in the pop-up menu. Then, click *OK*.

Setup Utility

This chapter describes how to run the Setup Utility to change settings on your computer.

Running Setup Utility

With the Setup Utility, you can customize the system configuration information, such as time and date, port assignments, or passwords. The information you have specified is saved in a special area called CMOS RAM, which the system reads every time you turn on your computer. Your computer is shipped from the factory with the appropriate setting of the Setup Utility. Leave it as default in normal use.

Contents of Setup Utility

The Setup Utility consists of four menu pages, as follows:

- Main: Configures basic setting
- Advanced: Configures device interface
- Security: Sets Passwords
- Exit: Exits the Setup Utility or returns to the default values

Entering and Exiting Setup Utility

1. Turn on your computer.
2. When *<F2> to enter System Configuration Utility* appears, press **F2**.
3. Change to the desired settings. Refer to the next section.
4. Select *Exit* menu; then, press **Enter**.
5. Select one of the exit methods, and press **Enter**.
6. Confirm the message and press **Enter** again. The system restarts.


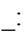



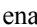
When the Setup Utility is opened, power management does not work. Do not close the display cover.

Changing Setting of Setup Utility

To change the settings:

1. Use → or ← key to select the menu.
2. Use ↑ or ↓ key to select the item.

If the item has  or :

Press **Enter** to enable or disable the item.  mark means the item is enabled.  Mark means disabled.

6

If the item has no mark (except *Date and Time* of *Main* menu and *Set Password* of *Security* menu):

1. Press **Enter** to open the sub menu.
2. Use Tab key to highlight the value; then use ↑ or ↓ key to select the value. The value with ● is being selected.
3. Use Tab key to highlight *OK*; then press **Enter**.

To set *Date and Time*:

1. Press **Enter**.
2. Use arrow keys to highlight the value; then use minus key or space bar to change the value.
3. Use arrow keys to highlight *OK*; then press **Enter**.

Minus or **Space** key : Changes the value.

3. Close the Setup Utility according to the steps above.

Main Menu

Date and Time defines the system date and time, using the format *month/day/year* and *hour:minute:second* (24-hour format). Use **Tab** key to move the cursor, and minus key or space bar to change numerals.

Hard Disk Type defines the type of the hard disk of your computer. Normally use as default (Ultra DMA-100).

Boot Sequence specifies where the system boots from. Press **Enter** to open the sub menu. The system boots from the drive selected in *1st Boot Device*. If the system cannot find the drive, it will boot from the drive selected in *2nd Boot Device*; then, the drive selected in *3rd Boot Device*.

Internal NumLock defines whether the numlock keys of the built-in keyboard are always disabled or not. (Num lock indicator will turn when **Fn+NumLk** are pressed regardless of this setting. An external keyboard will be numlocked if connected.)

Hot Key Beep defines whether the beep sounds when **Fn+F1**, **Fn+F5-F8**, **F11-F12** keys simultaneously pressed.

USB Emulation defines whether USB devices (a keyboard, a mouse or an optional external floppy disk drive) can be used in DOS mode. (When it is set to *Disabled*, you cannot boot your computer from a floppy disk.)

Advanced Menu

Internal Pointing Device enables or disables the built-in glide pad.

Shared Video Memory defines the size for the video memory that will be shared with the extend memory. The available sizes are 8MB, 16MB, and 32MB)

Resolution Expansion defines whether the Setup Utility screen is expanded when the resolution is 640x480 or 800x600. When this item has mark, the screen is expanded (this item does not work in the Windows environment).

Battery Low Warning Beep enables or disables the beep sound when the battery remaining capacity becomes extremely low (this item does not work for Windows battery alarm).

LAN Boot defines whether the system boots from the PXE server when the integrated LAN is activated.

Wake on LAN defines whether the system resumes from System Standby when the LAN unit of the computer becomes active.

Wake on Ring defines whether the system resumes from System Standby when the built-in modem receives a call.

6

Security Menu

Set Password defines the password (up to eight characters). See the next section about the password.



If you lose your password, you will be unable to access your computer or change the configuration. Make sure to select a password you will never forget, or write it down and protect it in a secure place. Otherwise, you will have to contact your dealer for assistance.

Hard Disk Virus Protect defines whether the boot sector of the hard disk is write-protected. When formatting the hard disk or reinstalling software, set to “_”.

Password

Setting a password will protect your computer against unauthorized access. Once a password is set, the system requires the password when entering to the Setup Utility.



If you enter a wrong password three times, the message “System will be shut down” appears. Press **Enter** to shut down your computer, and after 10 seconds, press the power button to turn it on again.

If *Password on Boot* is enabled, the system will require a password when the computer is turned on.

Setting Password

1. In the *Security* menu of the Setup Utility, select *Set Password* and press **Enter**.
2. Type your password (up to eight characters), and press **Enter**.
3. Type the same password again, and press **Enter** twice.
4. Select *Exit* menu and confirm *Exit Saving Changes* is highlighted; then press **Enter**.
5. Confirm *OK* is highlighted and press **Enter**. The system restarts.

Changing Password

1. In the *Security* menu of the Setup Utility, select *Set Password* and press **Enter**.
2. Type your current password, and press **Enter**.
3. Type your new password, and press **Enter**.
4. Type your new password again, and press **Enter** twice.
5. Select *Exit* menu and confirm *Exit Saving Changes* is highlighted; then press **Enter**.
6. Confirm *OK* is highlighted and press **Enter**. The system restarts.

Deleting Password

1. In the *Security* menu of the Setup Utility, select *Set Password* and press **Enter**.
2. Type your current password, and press **Enter**.
3. Without typing any characters, press **Enter**.
4. Press **Enter** twice.
5. Select *Exit* menu and confirm *Exit Saving Changes* is highlighted; then press **Enter**.
6. Confirm *OK* is highlighted and press **Enter**. The system restarts.

Exit Menu

Exit Saving Changes saves the settings you have changed and exits the Setup Utility.

Exit Discarding Changes exits the Setup Utility without saving the settings you have changed.

Load Setup Defaults returns the values of all items to the default. To exit, select one of the above items.

Discard Changes returns the values of all items to the values you last saved. To exit, select one of the above two items.

Save Changes saves the settings you have changed. To exit, select one of the above two items.

DirectHD Function

This chapter describes how to connect your computer (hereafter called MC series) with another computer (hereafter called Host computer), using the DirectHD function, to exchange data directly between the two computers without using network or external media. With this function, you can use MC series as an external hard disk of your host computer and read /modify/save data stored in MC series without powered on.

DirectHD Utility

To exchange data with your MC series and your host computer, you need to install the DirectHD utility (stored on the Product Recovery CD-ROM Disk 3) into your host computer. Follow these steps.

Supporting Operating System

The DirectHD utility supports following operating systems:

- Microsoft Windows XP Home Edition/ Microsoft Windows XP Professional (hereafter called Windows XP)
- Microsoft Windows 2000 Professional (hereafter called Windows 2000)
- Microsoft Windows Millennium Edition (hereafter called Windows Me)



MC series can be used as an external hard disk of the computer with one of the above operating systems installed.



Note the restrictions below:

- *When your Host computer is installed Windows XP, log in as a member of the Computer administrators group. Otherwise, you may not install the application.*
 - *When your Host computer is installed Windows 2000, log in with as a member of the Computer administrators group to install the application and also to use the DirectHD function.*
 - *When your host computer is installed Windows Me, do not format the D: drive of your MC series as NTFS. Doing so prevents from accessing the D: drive through your host computer.*
-

Installing DirectHD Utility



Be sure to install the application on your Host computer.

1. Insert the supplied *Product Recovery CD-ROM Disk3* into the optical drive of your host computer.
2. In *My Computer*, double-click the *CD* icon to open the CD-ROM.
3. Double-click the *DIRECTHD* folder and *setup* icon to start the application installation.
4. Follow the instructions on the screen.
5. After the installation is successfully completed, take the CD-ROM out of the optical drive and then, restart your computer.



When installing other applications or software into your MC series, be sure to directly install it. You cannot install through your Host computer.

1. *Turn on your MC series.*
2. *Insert the CD-ROM into the optical drive of your MC series.*
3. *Follow the on-screen instructions.*

Connecting MC Series to Host Computer

Use the provided DirectHD cable to connect your MC series with your host computer.



Do not turn on your MC series or connect/disconnect the DirectHD cable when your host computer is in Standby or Hibernate modes. When resuming from the modes, the files may be damaged or your host computer may malfunction.

1. Turn off your MC series.



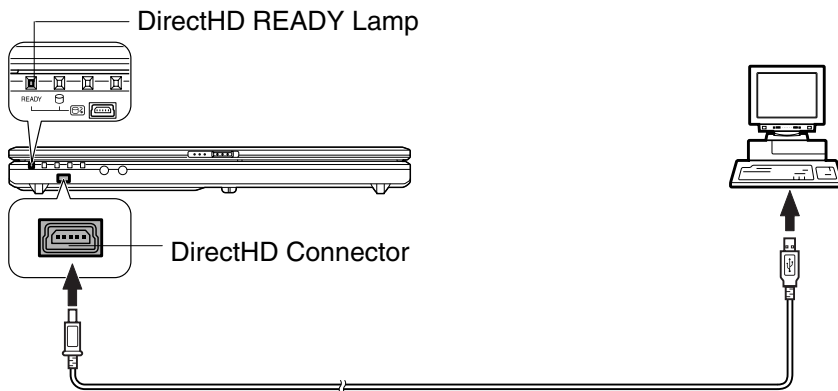
You cannot exchange data between your MC series and your host computer when your MC series is powered on or in the standby/hibernate mode.

2. Connect the AC adapter to your MC series.



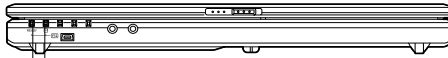
Be sure to connect the AC adapter in case the battery power becomes discharged. In this case, the connection will be stopped and unsaved data will be lost.

3. Connect your MC series with your Host computer using the supplied DirectHD cable.





When the MC series is properly connected to the host computer, the READY lamp on the MC series turns green.



Hard Disk Indicator

Green: Accessed through your host computer

DirectHD READY Lamp

Green: Connected

Red: Battery is discharged

Off: Not connected



When the hard disk indicator is lit:

- *Do not turn off your host computer.*
- *Do not unplug the DirectHD cable.*
- *Do not remove the AC adapter or the battery pack of your MC series.*

Otherwise, the data may be collapsed or your MC series may malfunction.

Password Function

7

You can use the password function to protect against unauthorized access to the hard disk of the MC series by the DirectHD function.

Setting Password

Set a password of the MC series in the Setup Utility. (See Chapter 6.)

Canceling Password

When a password is set to your MC series, cancel the password temporarily to use your MC series as an external hard disk of your host computer.

1. Connect your MC series to your host computer with the provided DirectHD cable.



Be sure power off your MC series before connecting.

2. Click *start* on your host computer.
3. Click *All Programs* (on Windows XP) or *Program* (on Windows 2000) or *Programs* (on Windows Me) – *DirectHD Utility– Password Utility*. The *Password Utility* window will appear.
4. Type the current password in the *Password* box and click *OK*.
The password will be cancelled and the MC series will be recognized as an external hard disk of your host computer.



In some cases, an alert box may appear. This is because once the password is cancelled, the USB device is stopped and then, the MC series is connected. This causes no matters.

Deleting Password

When your host computer runs Windows XP or Windows 2000

Delete the password of the MC series in the Setup Utility. (See Chapter 6.)

When your host computer runs Windows Me

1. Cancel the password. (Refer to the previous section.)
2. Stop the device. (Refer to the next section.)
3. Remove the DirectHD cable from your computer.
4. Delete the user password of the MV series in the Setup Utility. (See Chapter 6.)



Deletion of the user password without canceling in advance will cause the MC series to be recognized as a removable disk the next time you access it using DirectHD function. To allow your MC series to be recognized as an external hard disk, follow these steps.

1. *Connect MC series to your host computer.*
2. *Open the Password Utility and click Cancel.*
3. *Stop the device.*
4. *Remove the DirectHD cable from your host computer.*
5. *Connect it again.*



Disconnecting MC Series from Host Computer

Before unplugging the DirectHD cable, stop the device by following these steps.




You must stop the device before disconnecting your MC series from your host computer.


On Windows XP Professional

1. Click *Safely Remove Hardware* icon () on the taskbar. If you cannot find the icon, click  to show all kinds of icons.
2. Click *Safely remove USB Mass Storage Device – Drives (XX:, XX:)*. The *Safe To Remove Hardware* dialog appears. (XX is a drive name of your MC series.)
3. Unplug the DirectHD cable from your MC series and host computer.

On Windows 2000

1. Click *Unplug or Eject Hardware* icon () on the taskbar.
2. Click *Safely remove USB Mass Storage Device – Drives (XX:, XX:)*. (XX is a drive name of your MC series.)
3. Click *OK*; then, unplug the DirectHD cable from your MC series and host computer.

On Windows Me

1. Click *Safely Remove Hardware* icon () on the taskbar.
2. Click *Safely remove USB Disk – Drive (XX:, XX:)*. (XX is a drive name of your MC series.)
3. Click *OK*; then, unplug the DirectHD cable from your MC series and host computer.

Synchronizing MC Series with Host Computer

You can synchronize files or folders on your MC series and on your host computer. You need to install the SharpSync application onto your host computer for synchronizing.



During data communication, set the time of the MC series and the host computer synchronized. When you update the file, the updated time is recorded. If the time in the host computer is not the same as the time in the MC series, you will not be able to properly manage the files by the modification date.

Supporting Operating System

The SharpSync application supports the following operating systems:

- Microsoft Windows XP Home Edition/ Microsoft Windows XP Professional (hereafter called Windows XP)
- Microsoft Windows 2000 Professional (hereafter called Windows 2000)

Installing SharpSync Application and Setting Up Synchronization

The SharpSync application is stored on the provided Product Recovery CD-ROM Disk3.



Be sure to install the application on your host computer.

1. Connect your MC series and your host computer. (Refer to the *Connecting MC series and Host Computer* section in this chapter.)
2. Insert the provided Product Recovery CD-ROM Disk3 into the optical drive of your host computer.
3. In *My Computer*, double-click the CD icon to open the CD-ROM.
4. Double-click the *SHPSYNC* folder and then the *setup* icon to start the application installation.
5. Follow the instructions on the screen. When the installation process is successfully completed, the *Enable SharpSync Drive* wizard will start.
6. Click *Next*.
7. Select a destination drive of your MC series for the synchronization and then click *Next*.

8. Follow the on-screen instructions.



After completing the installation of the SharpSync application, ISYNC folder, autozip.run, Autozip.bak and setup.exe may be automatically installed in the destination drive of your MC series. Do not delete the folder and files in order to keep SharpSync software working.



- *The preset sync target files are doc, xls, pdf, ppt, bmp, avi and jpg. You can add other file extensions and also remove the above extensions. (Refer to the Adding/Removing Sync Target File section later in this chapter.)*
- *See the Help menu of the SharpSync for more information.*
- *After setting up the synchronization, the synchronized files will be recognized on your host computer whenever connecting your MC series with your host computer.*
- *When installing other applications or software into your MC series, be sure to directly install it. You cannot install through your host computer.*
 1. *Turn on your MC series.*
 2. *Insert the CD-ROM into the optical drive of your MC series.*
 3. *Follow the on-screen instructions.*

Adding Sync Set

After installing the SharpSync application and setting up the first synchronization, you can add another sync set.



Confirm that your MC series is connected with your host computer and the DirectHD status indicator is lit.

1. Double-click the *SharpSync* icon on your host computer's desktop.
2. Click *Add New Set* button.
3. Follow the instructions on the screen.

Stopping Synchronization

You can stop the synchronization between your MC series and host computer without deleting the Sync set.



Confirm that your MC series is connected with your host computer and the DirectHD status indicator is lit.

1. Double-click the *SharpSync* icon on your host computer's desktop.
2. Select a desired Sync set.
3. Select *Don't Sync* from the pull-down list.



To restart the synchronization, select Sync from the list.

Adding Sync Target File Extensions

You can add a target file extension(s) by editing settings. Follow the instructions below:

1. Right-click the SharpSync icon on the taskbar.
2. Click *Open Control Panel....*
3. Choose the "Sync Set" of which you want to change the condition.
4. Click *Edit Set*.
5. Click *Filters*, then you can find the extensions that will be synchronized on the right side box.
6. Choose a file extension you want to add to the synchronization target files from the left side box.
7. Click *Add*.



- *When you add more than one extension, repeat the step 6 to 7.*
- *If you want to synchronize all the data inside of chosen folder, select ALL Files.*

8. Click *OK* three times.



If you want to remove the target extensions, select the extension(s) to be removed in the right box and click Remove.



Appendixes

The appendixes contain additional information on the use and care of your computer.

Memory Module

You can upgrade the memory size of your computer up to 768MB by installing a memory module. For available memory modules, contact your local dealer.

Installing Memory Module



- *Do not handle the memory module in the location where static electricity is easily generated such as on the carpet.*
 - *Before installing the memory module, carefully discharge static electricity from your body by touching an unpainted metal area.*
 - *Avoid touching the integrated circuits on a memory module. Handle all components by the edges.*
 - *Keep the memory module in the anti-static wrapping until you are ready to install it.*
-

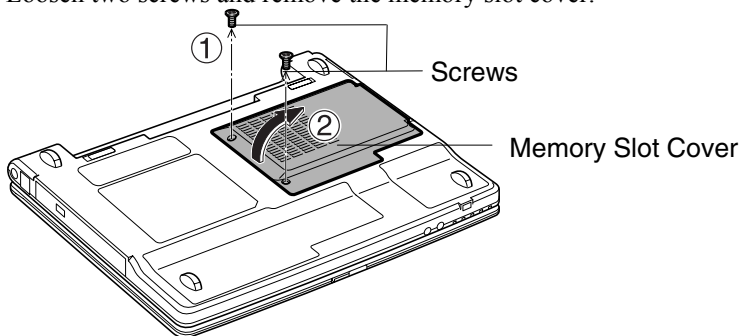
1. Turn off your computer, and disconnect the AC adapter and remove the battery pack and peripheral devices. See Chapter 3 for removing the battery.



- *Make sure to turn off your computer and remove the AC adapter. Otherwise you may get an electrical shock.*
 - *After a long use of your computer, the temperature inside your computer may be hot. Leave it alone for a minimum of one hour before going to the next step.*
-

2. Close the display cover and turn your computer over on a stable surface.

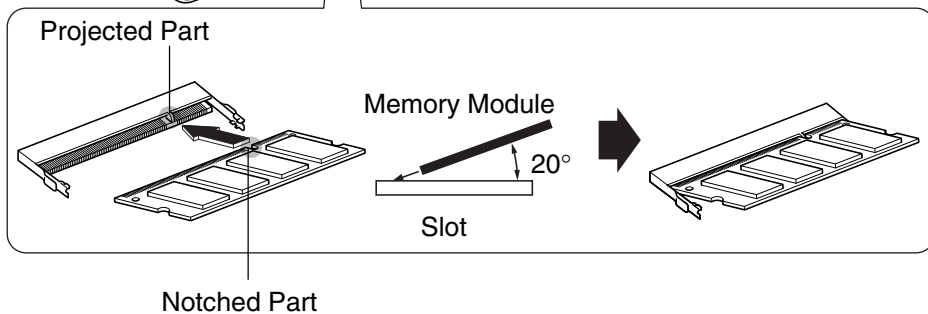
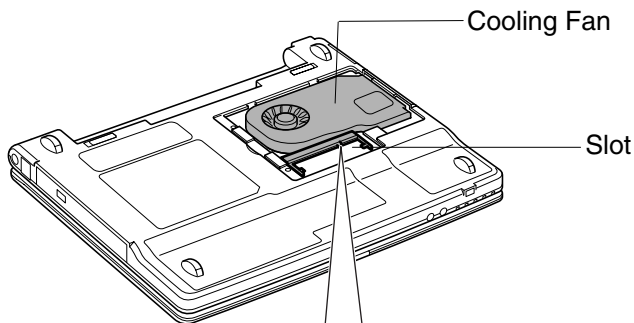
3. Loosen two screws and remove the memory slot cover.



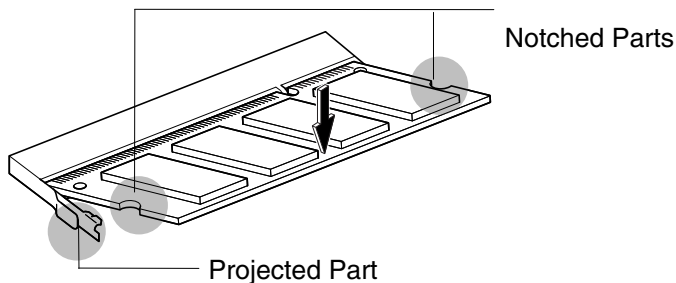
4. Align the memory module as shown below, matching the notched part of the module with the projected part of the memory socket of your computer.



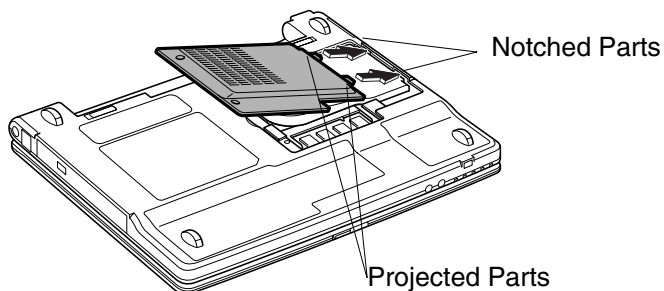
The cooling fan may be hot. Be careful not to touch it when installing the memory module.



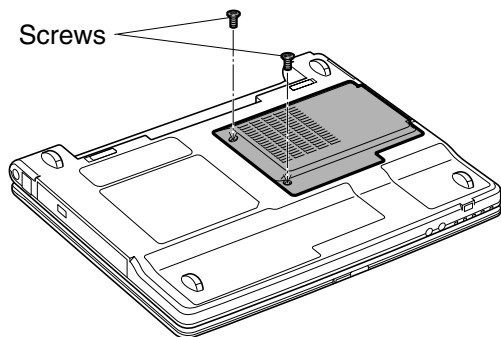
5. Press the memory module slowly to place it into the memory socket, matching the notched parts of the module with the projected parts of the socket, until you hear the clicking sound.



6. Replace the memory slot cover, matching the projected parts of the cover with the notched parts of your computer.



7. Tighten the screws.



8. Replace the battery pack, turn over your computer and connect the AC adapter.

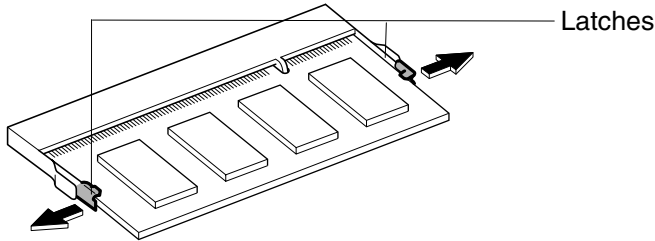


See Chapter 3 for replacing the battery pack.

9. Open the display cover; turn on your computer and check the memory size; by clicking *start – My Computer – View system information of System Tasks*. Your memory size appears at the bottom of the sentence in *General* tab. Shared video memory size will not be included with the value.

Uninstalling Memory Module

1. Follow steps 1-3 of *Installing Memory Module*.
2. Turn over the sheet and slightly bend both latches outwards until the memory module is released.



3. Remove the memory module and follow steps 6-9 of *Installing Memory Module*.

Maintenance and Care

This appendix provides you with information on how to maintain your computer in excellent working condition.

Replacing Backup Battery

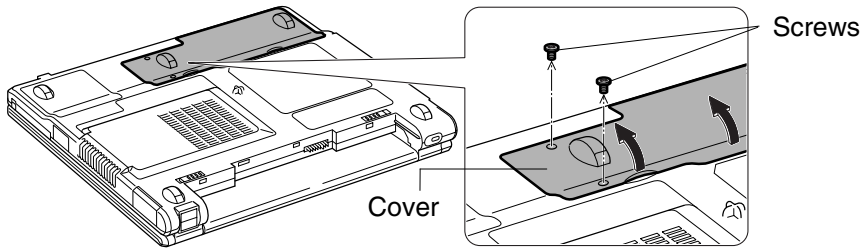
Your computer is equipped a backup battery for keeping the information of the Setup Utility, etc. If you see the message *Press <F1> to Continue, Del to Load CMOS defaults*, replace it with a new one. Contact the *Customer Assistance* for a new backup battery (see page iii).

1. Turn off your computer, disconnect the AC adapter, and remove the battery pack from your computer.

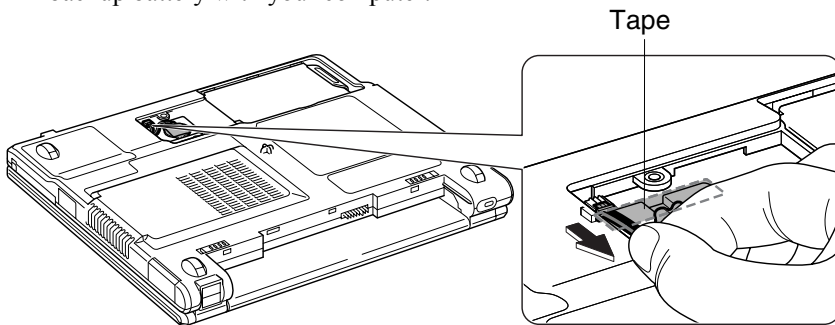


Make sure to turn off your computer and remove the AC adapter and the battery pack from your computer. Otherwise your computer may malfunction.

- Loosen the screws and remove the cover of the backup battery box.

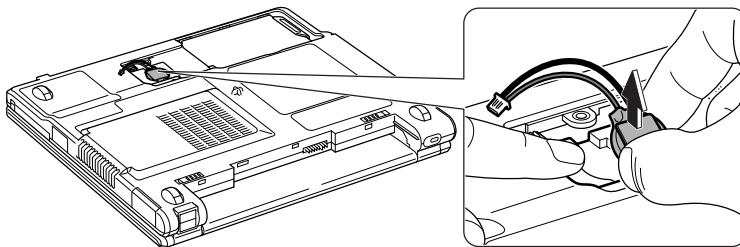


- Remove the tape securing the cables and pull out the cable connecting the backup battery with your computer.

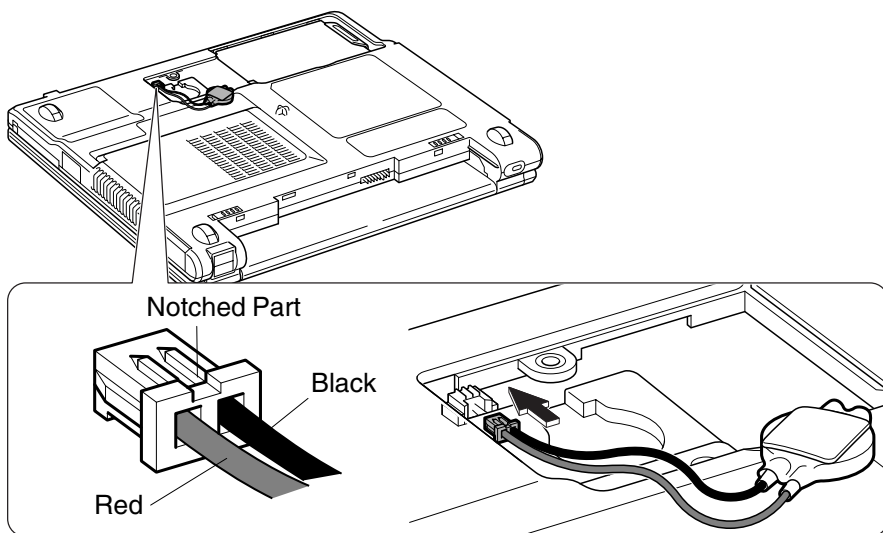


Pinch the cable as close to the connector as possible.

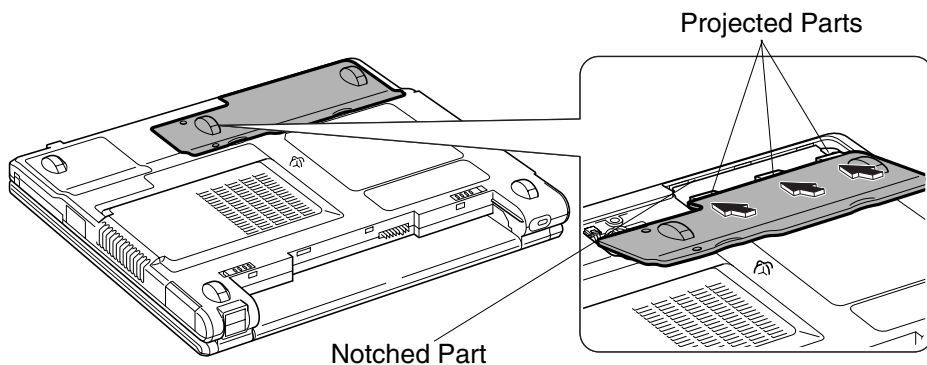
- Slowly remove the backup battery while lightly holding the sponge.



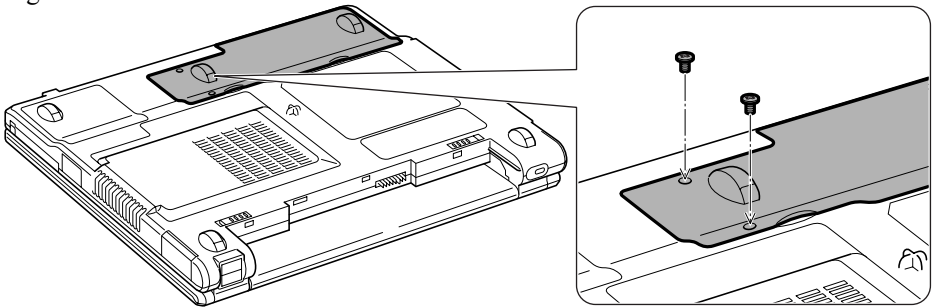
5. Plug the connector of a new backup battery to your computer with the notched side up. Make sure the black cable comes right and the red cable comes left.



6. Insert the new backup battery to your computer with its tape side down into the pattern on the sponge and properly attach it with the adhesive tape.
7. Secure the cables with the tape again and replace the cover on your computer matching the projected parts of the cover with the notched parts of your computer.



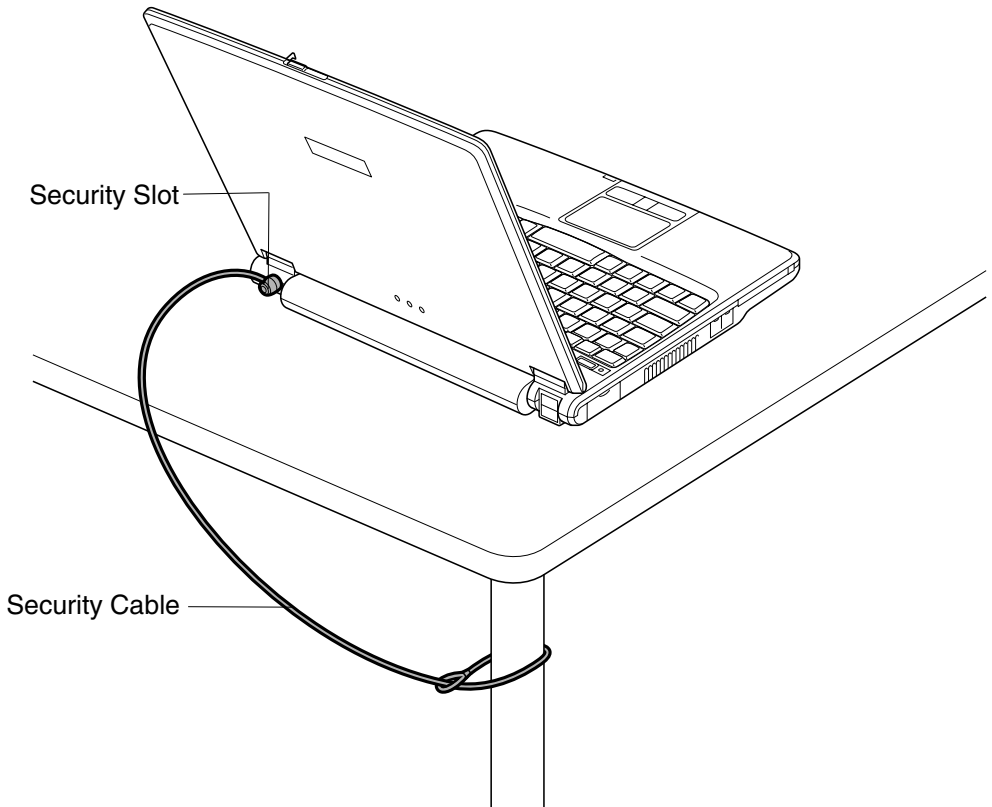
8. Tighten the screws.



9. Insert the battery pack.
10. Turn your computer over and connect the AC adapter.
11. Turn on your computer.
12. If you see the message *Press F1 to Continue, Del. to Load CMOS defaults*. It may take approximately one minute for this message to appear.
13. Press the **Delete** key, and Windows starts up.
14. Click *start – Control Panel*.
15. Click *Date, Time, Language, and Regional Options* in Category view; then, click on *Change the date and time* string.
16. Set date and time; then, click OK.
17. Close the *Control Panel* window.

Using Security Cable

You can connect a security cable to the security slot on your computer to prevent theft.



Cleaning Computer

Cabinet

Apply a small amount of mild cleaning solution to a dry, lint-free cloth and wipe the cabinet with the cloth.



- *Never clean your computer while it is powered on.*
 - *Do not use alcohol, benzene, thinner or other strong chemical agents that may damage the cabinet.*
-

Screen

The surface of the screen may become smeared and accumulate dust during use. Avoid touching the screen with your fingers when using the system. Gently wipe the surface of the screen with a soft cloth that has been dipped in a mild detergent solution and squeezed dry.

Glide Pad

Wipe the glide pad with a soft, dry cloth.

Ventilation Openings

Dust on the ventilation openings may cause overheating of your computer. Wipe the ventilation openings with a soft, dry cloth.

Traveling with Your Computer

Your computer is designed for portability. For safety and convenience when traveling, please follow these guidelines.

- Before traveling, back up your data on external media.
- Do not travel with a protruding PC card inserted in the PC card slot of your computer.
- Do not carry your computer powered on. This may result in loss of data and/or damage to the hard disk drive.
- Make sure the display cover is completely closed before traveling. Otherwise the cover may be opened unexpectedly, and the display and/or the keyboard will be damaged.
- If you carry your computer in a bag, try to avoid unnecessary pressure, caused by the stuff of the bag, to your computer.
- Disconnect the AC adapter and any other cables and any peripherals from your computer.
- Fully charge the battery pack, and bring the AC adapter and the AC power cord with your computer.
- Avoid sudden shocks or extreme vibration.

Troubleshooting

This chapter describes how to troubleshoot computer problems.

Common Problems

Problems with your computer can be caused by something as minor as an unplugged power cord or as major as a damaged hard disk drive. The information in this troubleshooting section is designed to help you find and solve minor problems. If you still have a problem after trying all the suggested remedies in this chapter, contact your dealer.

The problems that you might encounter can be divided into two basic categories: hardware and software. Hardware problems can be further divided into being of an electrical or a mechanical nature. You will know you have a hardware problem if, for example, the screen is blank, or your computer cannot recognize the disk drives.

Software problems can occur at several levels. Both your operating system and your software application programs are capable of generating errors and error messages. If you encounter a software error, try to determine if the error message is from your operating system or from an application program, and refer to the appropriate manual for possible remedies.

You can also refer to the Windows manual or Windows help program to solve the problem. To access the help program, click *start – Help and Support*. It also gives you troubleshooting tips and an index.

Successful troubleshooting is the result of careful observation, deductive reasoning, and an organized approach to solving the problem. If you encounter a problem, begin by performing a careful visual inspection. Check the exterior of your computer first. If no lights are displayed, check the battery charge or power outlet, the plug and power cord, and any power switches that may affect your computer. If your computer has been connected to any peripheral devices, look for loose or disconnected cables. You may also need to check the fuses and breakers in your electric box. A few common problems and suggested solutions are presented in the examples that follow.

Trouble when Starting

Question: Why doesn't the power indicator or the battery indicator turn on?

- Make sure the AC adapter is correctly connected to the AC adapter jack of your computer.
- Make sure the AC power cable is correctly connected to a live wall outlet. Connect another electric equipment to the wall outlet and check whether it is live or not.
- Make sure the battery pack is correctly installed and charged.
- If the battery pack is discharged, connect the AC adapter.
- If all the steps above failed, follow the instructions on *Why doesn't the keyboard or the glide pad function?*

Question: Why do I get the message *Invalid system disk*?

- You may have inserted a non-bootable disk in the optional external floppy disk drive unit (either a defective disk or one without an installed operating system). Remove the disk.

Question: Why can't I boot from the floppy disk?

- Make sure that the optional external floppy disk drive unit is correctly connected to your computer.
- Check whether the floppy disk set to the optional external floppy disk drive unit contains a system disk.
- Check whether *USB Emulation* in *Main* menu of the Setup Utility is enabled. (Refer to *Main Menu* in Chapter 6.)
- Check whether *Floppy Disk Drive* in *Boot Sequence* in *Main* menu of the Setup Utility is set to the top of the list. (Refer to *Main Menu* in Chapter 6.)

Question: Why do I get the message *Press <F1> to resume, Press <F2> to setup*?

- The setting of the Setup Utility is deleted. Run the Setup Utility and get default value of the Setup Utility. Be sure to set the date and time correctly.

- If you often see the message, the backup battery has no capacity left. Replace the backup battery with the steps in *Replacing Backup Battery* of Appendixes.

Question: Why do I get the message *Operating system not found*?

- Run the Setup Utility and get default value of the Setup Utility. Be sure to set the date and time correctly.

Trouble with Display

See also the *Display* section in Chapter 2 and 4.

Question: Why is the screen blank?

- Press any key to see if any power management feature has turned off the screen to save power.
- See the power indicator to check whether your computer is turned on.
- If you are using a battery pack, make sure it is correctly installed and has a charge remaining.
- Make sure the LCD screen is selected as the display by pressing **Fn+F5** (⏏).
- Check whether the display is on by pressing **Fn+F11** (⏏).
- If you still have the problem after trying the above, follow the steps in *Why doesn't the keyboard or the glide pad function?*

Question: Why does the external monitor display nothing or the image on it distorted?

- Confirm the monitor is turned on.
- Confirm the monitor is connected correctly.
- Make sure the external monitor is selected as the output display by pressing **Fn+F5** (⏏).
- If you use **Fn+F5** (⏏) to change the display, the image may be distorted. Press **Fn+F5** (⏏) again to return the previous display and use *Display Properties* dialog box to change it again.
- Make sure the value of *Screen resolution* in *Settings* tab of *Display Properties* is same as or lower than the resolution of the external monitor.

- Make sure the external monitor is not near any electric devices having strong magnetic fields such as a TV set or radio.
- Do not share an outlet with a TV set or radio.

Question: Why can't I change the display with Fn+F5 keys?

- When playing the animation or game, **Fn+F5** (⏏) key combination may not work. Close the currently running application.
- When running DOS in the full screen mode, **Fn+F5** (⏏) key combination may not work.
- Use *Display Properties* dialog box to change it.
- When you select *Extended Desktop* mode, **Fn+F5** (⏏) key combination does not work.

Trouble with Keyboard/Glide Pad

Question: Why doesn't the keyboard or the glide pad function?

- Try the following in this order:
 1. Press **Ctrl+Alt+Delete** and select *Applications* tab of *Windows Task Manager* dialog box. Click the program name that hangs up, then, *End Task*. If this does not solve the problem, select *User* tab click *Disconnect* or *Logoff* of *Windows Task Manager* dialog box, then *Yes*.
 2. If the step1 fails to work, press the power switch for more than four seconds to turn off the system. Ten seconds later, turn your computer on.
 3. If pressing the power button fails to turn off your computer, remove the AC adapter, then, the battery pack. Ten seconds later, reinstall the battery pack, connect the AC adapter and then, turn on your computer.

Question: Why does the glide pad malfunction?

- The surface of the glide pad or your palm may be moist or dirty and grease. Wipe the glide pad with a soft, dry cloth.

Trouble with Floppy Disks

Question: Why can't I use a floppy disk?

- Confirm the optional external floppy disk drive unit is correctly connected.

- Confirm the floppy disk is inserted correctly.
- Confirm the drive or file name is correct.
- The floppy disk may not be formatted or could be corrupted. Format the disk or use another disk.
- If you cannot write to a floppy disk, the disk may be write-protected. Eject the disk and ensure that the write-protect tab covers the detection hole.
- If you cannot write to a floppy disk, the disk may be full. Use another disk.

Trouble with the Hard Disk

Question: Why can't I read or write data to/from the hard disk?

- Confirm the drive and file names are correct.
- Confirm the hard disk has sufficient free space.

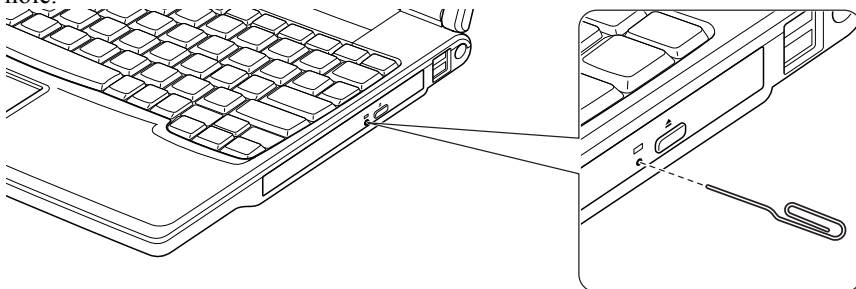
Trouble with the Optical Drive

Question: Why can't I read data from a compact disc or play files?

- Confirm the CD is inserted correctly.
- Confirm the drive and file names are correct.
- Confirm the CD is not stained or scratched.
- Confirm the CD or files are supported.

Question: Why the drive does not open?

- Confirm your computer is turned on.
- When your computer is turned off, insert a fine rod into the drive tray ejection hole.



Question: Why can't I read data from a disk or play files?

- Confirm your computer is turned on.
- Confirm the disk is inserted correctly.
- Confirm the drive and file names are correct.
- Confirm the disk is not stained or scratched.
- Confirm the disk or files are supported.

Question: Why doesn't the DVD video play smoothly?

- Ensure to use AC power.
- Power management may be working. Disable it.

Question: Why isn't the optical drive recognized?

- If your computer is turned on with some kinds of DVD disks inserted in the drive, the drive may not be recognized. In this case, turn off your computer and open the disk tray by the way on *Question: Why does not the drive open?* on the previous page. Remove the disk from the drive; then turn on your computer again.

Trouble with Communication

Question: Why can't I communicate through the built-in modem?

- Confirm the telephone line is properly connected to the modem jack.
- Confirm the dial setting (pulse or tone) of Windows XP and/or communication software is matched with the telephone line.
- If you set your connection status using *New Connection Wizard*, check *Use dialing rules* in the *Properties* dialog box of that connection status. Refer to *Internet Connection* section of Chapter 5.
- Confirm the country/region setting is appropriate.
- Confirm the network configuration is appropriate.
- Confirm the user name or password is correct.
- Confirm the COM port in the communication software is set appropriately.
- Turn off the power management in the Windows.
- If an unusual device is attached to the line you are connecting to, the modem may not function properly. Remove the device or contact the dealer of the device.

- If your computer is connected to a PBX, consult the PBX maintenance staff or its service company. If the electric characteristics of your PBX are different from those of a regular analog line, the modem will not function properly. If you connect the modem to a digital PBX, both the modem and the PBX may be damaged.


Question: Why is the access speed so slow?

- Close the applications currently opened.
- Try to connect another ISP (Internet Service Provider), or try to connect in some other time.


Question: Why can't I access the LAN?

- Confirm the cable is properly connected to the LAN jack and the network hub.
- Confirm the network configuration is appropriate.
- Confirm the user name or the password is correct.

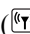
Question: Why can't I detect the access point on my computer?

- Confirm the access point is powered on.
- Confirm the antenna indicator is lit.
- Restart your computer.
- Confirm your computer is enabled for the wireless LAN.
- Detect the access point with the following steps.
 1. Click *start – Control Panel*.
 2. Click *Network and Internet Connections – Network Connections*. In Classic view, double-click *Network Connections* icon. *Network Connections* dialog box appears.
 3. Right-click *Wireless Network Connection*; then, click *Disable*.
 4. Right-click *Wireless Network Connection* again; then, click *Enable*.
- When you have more than one access points, your computer may be connected to other than right one you want to access. Follow the steps bellow.
 1. Right-click *Wireless Network Connection* icon () on the taskbar; then, click *View Available Wireless Networks*.
 2. Select the desired network in the *Available wireless networks* list; then, connect to the network. (Refer to *Confirming Status of Wireless Connection* section in Chapter 5.)

Question: Why can't I connect to the network via an access point?

- Confirm the wireless LAN antennas are enabled. When the antenna indicator lights green, the antennas are enabled. If not, press **Fn+F1** () keys.
- Confirm *Any available network (access point preferred)* is selected in *Networks to access* of *Advanced* dialog box. (To open *Advanced* dialog box, refer to *Communicating with Other Computers* section in Chapter 5.)
- Confirm the *Network name* of your computer matches that of the access point you want to communicate with.
- Confirm the *Network key* is correctly entered if the WEP security of the access point is enabled.
- You may have accidentally enabled IEEE802.1x authentication. Disable it with the following steps.
 1. Click *start – Control Panel*.
 2. Click *Network and Internet Connections – Network Connections*. If Classic view is selected, double-click *Network Connections*.
 3. Right-click *Wireless Network Connection* and click *Properties*.
 4. Click *Wireless Networks* tab, select the network in *Preferred networks* field and click *Properties* button.
 5. Select *Authentication* tab, then, uncheck the box of *Enable IEEE802.1x authentication for this network*.
 6. Click *OK* twice and close the window.

Question: Why can't I communicate with other computers through wireless LAN?

- Confirm the antennas are enabled with pressing **Fn+F1** () key combination. When the antenna indicator is on, the antennas are enabled. (Refer to *Activating Antenna* section of *Wireless LAN* in Chapter 5.)
- Confirm each computer is enabled for wireless LAN.
- Confirm *Computer-to-computer (ad hoc) networks only* is selected in *Networks to Access* of *Advanced* dialog box. (To open *Advanced* dialog box, refer to *Communicating with Other Computers* section in Chapter 5.) Also confirm the other computers are in ad-hoc mode.

- Adjust the distance between your computers by bringing your computer closer to others and remove any obstructions that may impede the communication; then, try to connect again.
- Confirm the IP address and the subnet mask of each computer are set correctly.
- Confirm the WEP keys are correctly set to your computer if the WEP security of the communicated computers is enabled.

Question: How can I detect the MAC address?

- Follow the instructions below:
 1. Click *start – All Programs – Accessories – Command Prompt*.
 2. Type `ipconfig/all`; then, press **Enter**. The information about IP appears.
 3. See the numbers of *Physical Address* in *Ethernet adapter Local Area Connection* section (for LAN) or *Ethernet adapter Wireless Network Connection* section (for Wireless LAN).
- Type `exit`; then, press **Enter**.

Trouble with Peripherals

Question: Why don't peripheral devices function?

- Confirm they are correctly connected to your computer.
- Confirm they are Windows XP compliant.
- Confirm drivers necessary for the devices are installed.

Question: Why can't I print?

- Make sure the printer is turned on.
- Check whether your computer and the printer are connected correctly.
- Check whether the printer is ready to print.
- Check whether the printer has enough paper.
- Check whether the printer driver is installed.
- Click *start - Control Panel - Printers and Other Hardware – Printers and Faxes*. If Classic view is selected, double-click *Printers and Faxes* icon. Confirm your printer is installed. If not, click *Add a printer* of *Printer Tasks* to install it.

- See also the Windows help program by clicking *start - Help and Support*.

Question: Why don't peripheral devices function correctly?

- Set *System standby/hibernate* to *Never* in *Power Options Properties* dialog box. If this does not work, set *Turn off hard disks* to *Never*.
- Confirm they are Windows XP compliant.
- Confirm drivers necessary for the devices are installed.

Trouble with DirectHD

Question: Why can't my MC series be recognized as an external hard disk?

- Confirm your MC series and your host computer are properly connected with the DirectHD cable.
- Confirm your MC series is turned off.
- Confirm your host computer is running Windows Me, Windows 2000 or Windows XP.
- When your MC series is not connected the AC adapter and does not have enough battery power, it cannot be recognized as an external hard disk. Connect the AC adapter and reconnect the DirectHD cable.
- Reconnect DirectHD cable. You may not have stopped the connection properly.
- When using a USB hub, connect an AC adapter to the hub.

Question: Why is my MC series recognized as a removable disk or why cannot I access it through my host computer?

- When you have set a password in the Setup Utility, you cannot access it. Cancel the password temporarily using the *Password Utility*. (See Chapter 7.) When you remove the password in the Setup Utility instead of canceling by the *Password Utility* and delete the password in the Setup Utility, the MC series may be recognized as a removable disk at the next connection. In this case, follow these instructions.
 1. Connect your MC series and your host computer with the DirectHD cable.
 2. Click *start – All Programs – DirectHD Utility – Password Utility*.
 3. Click *Cancel*.

4. Stop the device.
5. Unplug the DirectHD cable.
6. Connect your MC series and your host computer with the DirectHD cable.

Question: Why is the access speed so slow or why can't I take advantage of the speed of USB 2.0?

- Confirm your host computer supports USB 2.0.
- Confirm the cable connecting your MC series and host computer is the provided DirectHD cable.
- When using a USB hub, confirm it is powered on with AC power or it supports USB 2.0. (Even when everything is done as mentioned, other devices using the same hub may cause the communication speed to be slower.)

Question: Why aren't the icons in *My Computer* window shown properly?

- The peripheral devices connected to your host computer may cause it. Press **F5** key. (This may not work properly due to the setting condition or the installed operating system in your host computer.)

Question: Why does a message *Please insert a disk drive....* appear?

- Your MC series may be still set the user password. Cancel the password using the *Password Utility* of the DirectHD utility. (Refer to the *Canceling Password* section in Chapter 7.)

Other Troubles

Question: Why is the MC series is not powered on?

- When the MC series is connected to the host computer using the DirectHD function, the MC series cannot be powered on. Disconnect the MC series from the host computer. (Refer to the *Disconnecting MC Series from Host Computer* section in Chapter 7.)
- Disconnect the AC adapter from the computer, remove the battery pack, correctly reinstall the battery pack and connect the AC adapter, then turn power on to the MC series again.

Question: Why is the battery pack discharged so quickly?

- Initialize the battery pack.

Question: Why is the date and/or time incorrect?

- Correct the date and time in Windows. Double-click the time appearing on the taskbar and set them in *Date and Time Properties* dialog box.

Question: Why can't I use a hardware device?

- Make sure the hardware device is not crossed out with an X mark using the following procedure.
 1. Click *start – Control Panel*. Click *Performance and Maintenance*; then, *System*. If Classic view is selected, double-click *System* icon.
 2. Click *Hardware* tab; then, *Device Manager*.
 3. Double-click the device you cannot use and confirm *Use this device (enable)* appears in *Device usage*.

Question: Why can't I produce sound?

- Click or double-click the speaker symbol on the taskbar and check the Windows volume.

Question: Why can't I turn off my computer?

- Follow the instructions on *Why doesn't the keyboard or the glide pad function?*

Question: Why my computer is so hot?

- When charging the battery pack, its surrounding area or the front of the keyboard may become hot, but this is not a problem.

Question: Why can't I record the sound from the microphone?

- Follow the instructions below:
 1. Double-click the speaker symbol on the taskbar.
 2. Click *Options* and select *Properties*.
 3. Select *Recording* in *Adjust volume* and confirm *Microphone* is checked in *Show the following volume controls*, then click *OK*.

4. Confirm *Select* is checked in *Microphone of Recording Control* dialog box.
5. Close the *Recording Control* dialog box.

Question: Why can't find the drivers and applications?

- You may accidentally remove them. They are stored on the last recovery disk. (i.e. when three recovery CDs are provided, they are stored on the “Disk 3”.) When you are not sure how to install them or the CD does not have the drivers or applications, consult local service staff.

Index

A

- AC adapter
 - connecting, 1-2
 - using, 2-2
- Account
 - creating, 2-16
 - switching, 2-16
- Antenna, 5-9
- Audio
 - controlling output volume, 2-13

B

- Battery pack
 - backup battery, A-4
 - changing, 3-4
 - charging, 3-2
 - checking level, 3-2
 - conditioning, 3-4
 - indicator, 2-1 3-3
 - low battery indication, 3-3

C

- Cleaning
 - computer, A-8
- CD
 - handling, 2-7
 - inserting, 2-8
 - removing, 2-9
 - troubleshooting, T-5
- Computer name, 5-7

D

- DirectHD Utility
 - installing DirectHD utility, 7-2
 - connecting to host computer, 7-3
 - disconnecting from host computer, 7-6
 - password function, 7-4

synchronizing with host computer, 7-7

Display

- changing brightness, 2-14
- changing resolution, 2-14
- changing number of colors, 2-14
- switching the display, 2-6, 4-7
- troubleshooting, T-3
- turning off, 2-7

E

External monitor

- connecting, 4-6
- disconnecting, 4-7
- switching the display, 2-6, 4-7

F

File sharing

- copying, 5-8
- sharing, 5-8

Floppy disk

- connecting, 4-3
- ejecting, 4-4
- handling, 4-3
- inserting, 4-4
- removing, 4-5
- formatting, 4-5

Floppy disk drive (external)

- connecting, 4-3
- removing, 4-5

G

Glide pad

- changing configuration, 2-6
- clicking and double-clicking, 2-5
- drag and drop, 2-5
- enabling, 2-4
- scroll, 2-5
- troubleshooting, T-4

H

Hard disk drive
troubleshooting, T-5

I

Indicators
antenna, 5-9
power, 1-3, 2-1
battery status, 2-1, 3-3
status, xiv

K

Keyboard
application key, 2-6
function keys, 2-6
special keys, 2-6
troubleshooting, T-4
windows key, 2-6

L

LAN
configuring network, 5-6
configuring unit, 5-5
connecting to wired network, 5-4
troubleshooting, T-7

M

Modem
configuring, 5-3
connecting to telephone line, 5-2

N

Network Setup Utility
changing, 5-14
deleting, 5-14
loading, 5-13
switching, 5-13

O

Optical Drive
Using, 2-7
Troubleshooting, T-5

P

Passwords
changing, 2-18, 6-5
deleting, 2-18, 6-5
setting, 2-17, 6-5

PC cards
ejecting, 4-12
inserting, 4-11

Peripherals
audio equipment, 4-8
connecting guidelines, 4-1
external monitor, 4-5
headphones, 4-9
PC cards, 4-11
printer, 4-14
speaker, 4-8
troubleshooting, T-9
USB device, 4-10

Power
choosing AC or battery, 2-1
indicator, 1-3, 2-1

Power management
disabling, 3-11
stopping power supply to display, 3-7
stopping power supply to hard disk, 3-7
system hibernate, 3-9
system standby, 3-9

Printer, 4-14

R

Resetting
power switch, 2-3

S

Screen Saver, 2-15

Setup utility
advanced menu, 6-4
changing setting, 6-2
entering and exiting, 6-2
exit menu, 6-6

- main menu, 6-3
- running, 6-1
- security menu, 6-4
- Security cable, A-8
- SharpSync
 - adding file extension, 7-9
 - adding sync set, 7-8
 - installing, 7-7
 - setting up, 7-7
 - stopping synchronization, 7-9
- System standby
 - about, 3-9
 - generating conditions, 3-10
 - resuming from, 3-9
- System hibernate
 - about, 3-9
 - generating conditions, 3-10
 - resuming from, 3-9
 - supporting, 3-10
- Status indicators, xiv

T

- Troubleshooting
 - common problems, T-1
 - communications, T-6
 - CD, T-5
 - DirectHD, T-10
 - display, T-3
 - floppy disk drive, T-4
 - hard disk drive, T-5
 - keyboard or glide pad, T-4
 - peripherals, T-9
 - wired LAN, T-7
 - wireless LAN, T-7

U

- USB device, 4-10

W

- Wallpaper, 2-15
- Wireless LAN
 - activating antenna, 1-4, 5-9
 - communicating, 5-10
 - confirming status, 5-11
 - connecting to WEP network, 5-12
 - connecting to access point, 5-10
- Workgroup name, 5-7



SHARP CORPORATION