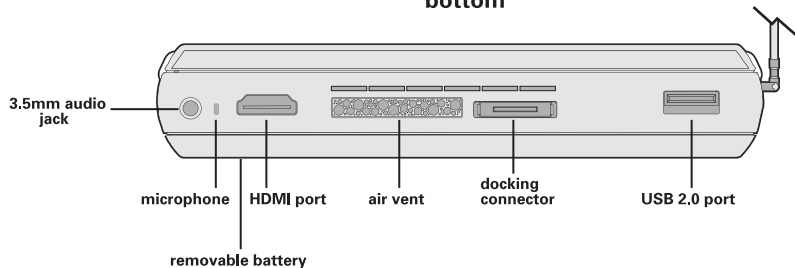


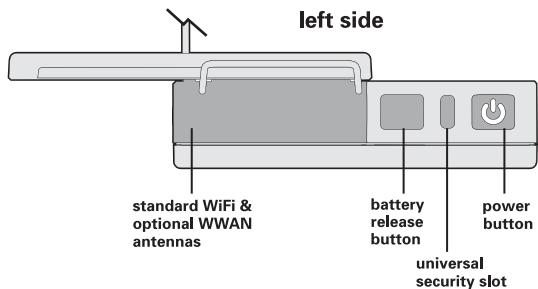


model e2 : start guide

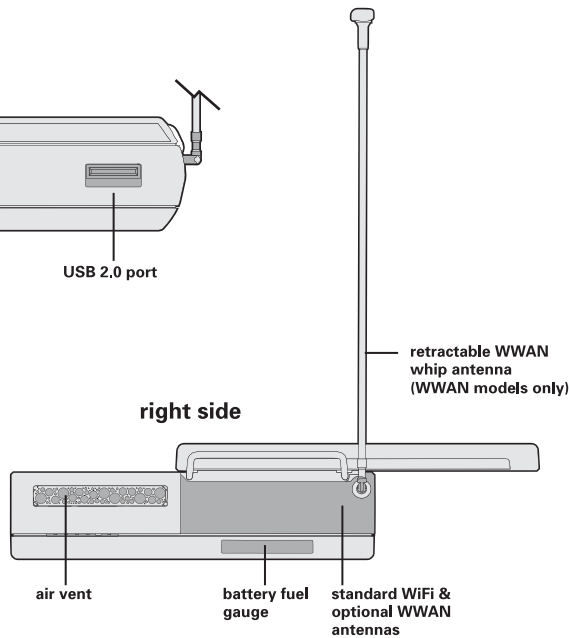
bottom



left side



right side



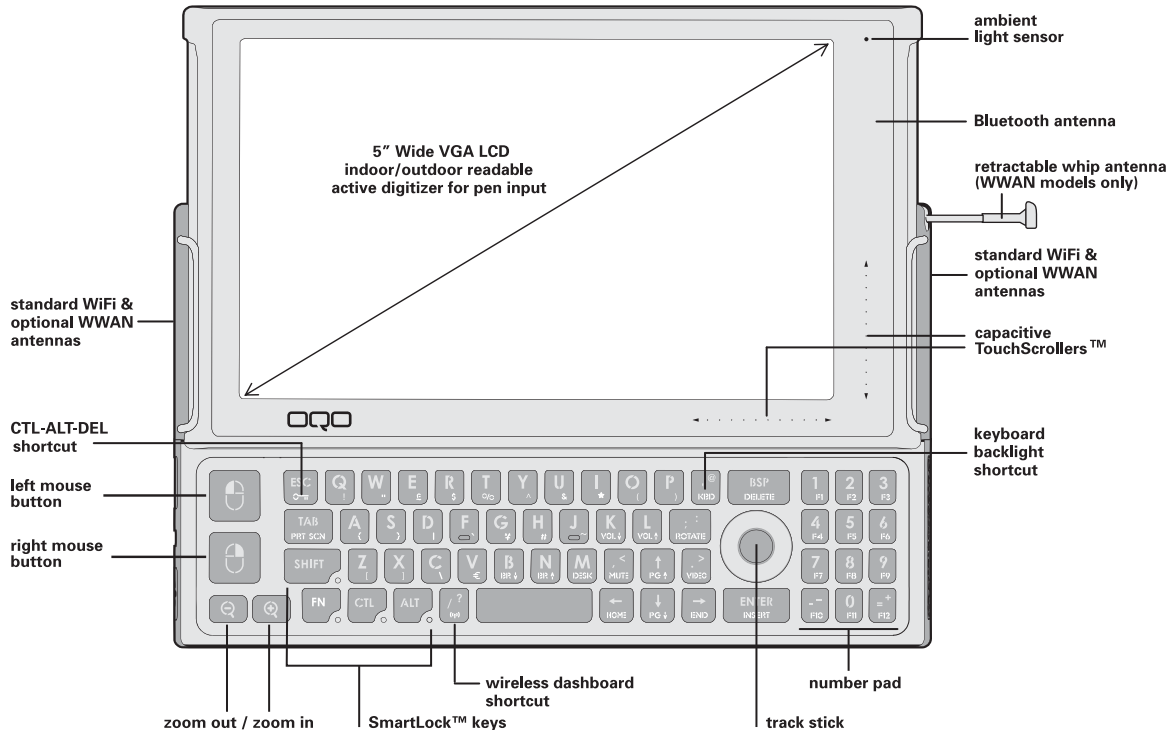


table of contents

1. what's in the box	3
2. introducing the model e2	4
3. powering up and down	6
4. removing the battery and inserting a SIM card (optional)	8
5. using the thumb keyboard and track stick	10
6. using the TouchScrollers, digital pen, and other screen features	12
7. connecting to a network	14
8. connecting the docking station and peripherals	16
9. installing software and transferring files	18
10. using the model e2 security features	20
11. accessories	22
12. product support	24

what's in the box

Begin by comparing the list below to what's in the box. You should find:

- OQO model e2 computer with standard battery
- pre-installed screen protector
- universal power supply and AC power cord
- VGA/Ethernet adapter
- spare track stick cap
- OQO start guide with Windows® XP reinstallation DVD

Any accessories you ordered will be packed separately.

If anything is missing, contact us by phone at 1-877-676-6688 or email support@oqo.com.

Please register your OQO model e2 by visiting <http://www.oqo.com/intl/support>.

introducing the model e2

Welcome to the OOO model e2 computer. The model e2 is a full-featured Windows XP computer that gives you the total productivity you need to fulfil your personal and professional requirements.

mobility

The model e2 is the world's smallest Windows XP computer. Its mobile form factor allows you to take it anywhere and its ergonomic design facilitates usability on the go. Because the model e2 uses the Windows XP operating system, you have uncompromised access to software applications and seamless connectivity – via WiFi, Ethernet, Bluetooth®, or mobile broadband (optional).

flexibility

While you're on the go, the model e2 is your standalone, handheld computer with its own integrated keyboard, track stick, and capacitive TouchScrollers. The rugged, magnesium alloy chassis with shock mounted hard drive and active drop detect technology (or optional solid state drive) helps protect your data in the event your model e2 is dropped. At the office, the model e2 functions as your desktop computer connected to an external monitor, keyboard, and mouse. Also available is an array of accessories and a docking station that provides additional usage modes.

power

The model e2 was designed to deliver the total computing performance necessary to achieve personal and professional productivity, anytime and anywhere. The model e2 – with its robust processing power, Windows XP operating system, application compatibility, memory and storage capacity, and unparalleled connectivity – is everything you need to meet your total productivity requirements.



powering up and down

Your model e2 ships with a screen protector and battery attached.

To turn on your model e2, press the power button located on the left side of the computer. When idle, conserve battery power by putting your computer in Standby or Hibernate mode.

To charge the battery, connect the power supply to the model e2 as shown at right, and then plug into an outlet. The battery will charge whenever the computer is connected to an outlet.

standby mode

Standby mode reduces the power consumption of your computer by cutting power to non-critical hardware components. The system maintains power to your computer's random access memory (RAM), which allows the system to quickly restore your active applications and files. It will also save your session to the hard drive, so you can access it even if the memory loses power.

To put your computer into Standby mode, press the power button.

hibernate mode

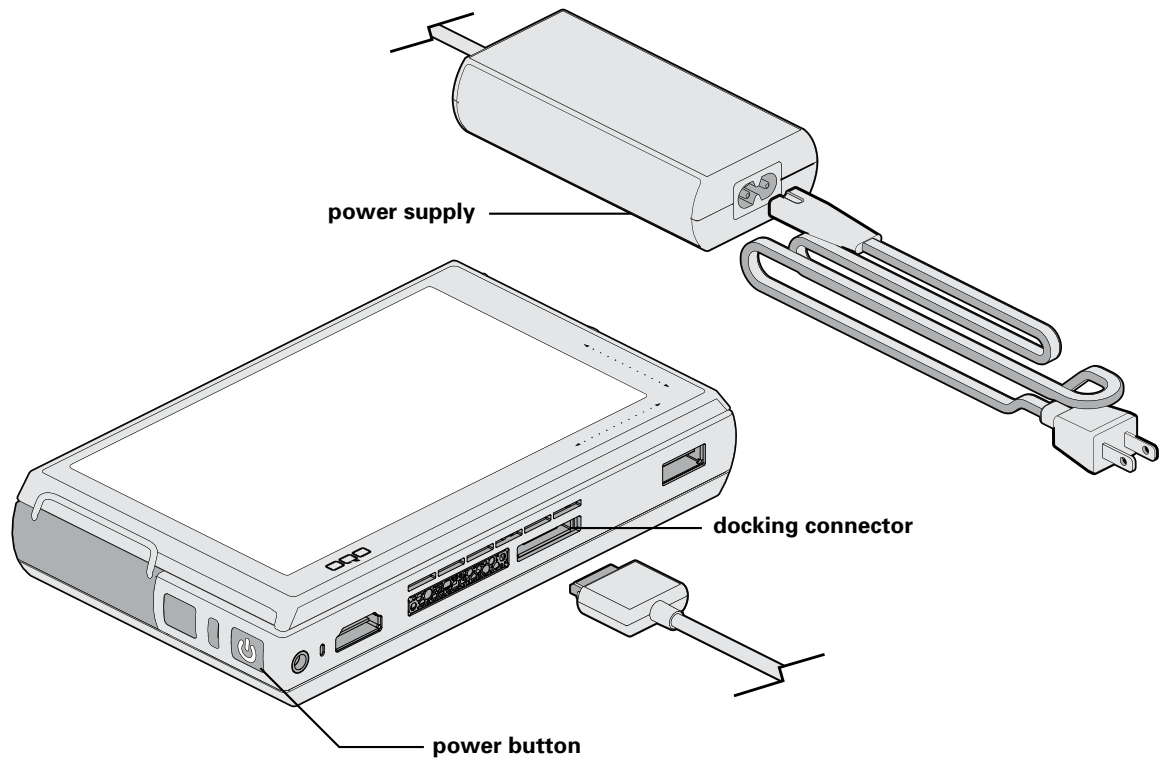
Hibernate mode saves your current system state to the hard disk drive and then powers down your computer. When you power up again, your open files and applications are restored just as you left them. Hibernate mode draws no power and is best for conserving battery life and changing batteries.

To put your computer into Hibernate mode, click on the Start menu and choose the 'Hibernate' option in the right arrow tab menu.

conserving battery power

Additional ways to conserve battery power include:

- Turn off wireless radios when not in use.
- Turn off the keyboard backlight.
- Lower the internal display brightness.
- Adjust power settings in the Power Options control panel.



removing and attaching the battery

On the model e2, a fully charged battery typically provides two to three hours of operating time depending on usage. Double capacity batteries that provide up to six hours of charge are also available.

charging the battery

A battery fuel gauge is located on the right side of the battery. When pressed and released, the fuel gauge will illuminate to indicate remaining battery power. While the battery is charging, the fuel gauge lights flash in sequence.

A standalone battery detached from the model e2 can be charged using a battery charging adapter (optional accessory) with your power supply.

removing the battery

Before replacing the battery, the computer should be plugged into an outlet, shut down, or placed in Hibernate mode. Removal of the battery while in Standby mode may result in loss of user and system data.

To remove the battery, press the battery release button located next to the power button and lift the battery away from the computer.

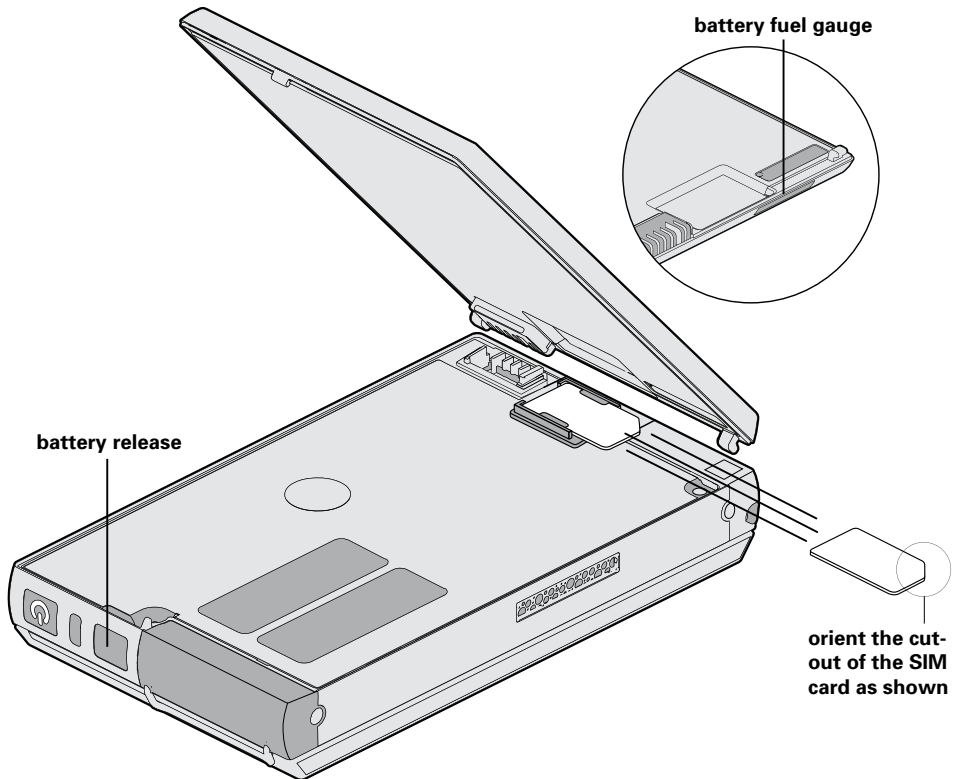
attaching the battery

To attach the battery, rest the battery hooks in the slots alongside the back edge of the computer before lowering the battery onto the computer. Press the battery against the computer until the latch clicks.

inserting a SIM card

For computer configurations with the HSDPA mobile broadband option, the SIM card slot is located on the back side of the computer underneath the battery.

To insert the SIM card, first shut down the computer and disconnect the AC power supply. Remove the battery following the previous instructions and insert the SIM card according to the diagram shown on the right.



using the thumb keyboard and track stick

When using your model e2 as a handheld computer, use the thumb keyboard and track stick for input and navigation.

using the thumb keyboard

Slide the screen upward to reveal the keyboard and track stick. The keyboard can be backlit to accommodate use in low light conditions. To turn the backlighting on or off, press the key sequence:



The mouse buttons are located on the left edge of the keyboard. Use the top mouse button to left-click and the bottom mouse button to right-click. You can control the mouse pointer by moving the track stick with your thumb.

SmartLock™ keys

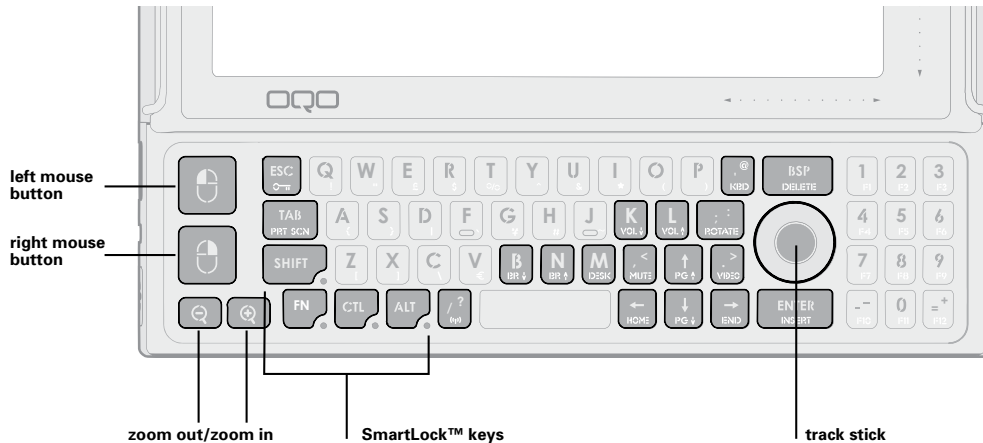
The OQO keyboard has four SmartLock keys: shift (SHIFT), function (FN), control (CTL), and alt (ALT). These modifier keys let you input key combinations by pressing them sequentially instead of simultaneously.

Press a SmartLock key once and the LED next to it will start to pulse. The next key you press will be modified. Press a SmartLock key twice to lock it, and the LED will remain solid.

All subsequent key presses will be modified until you press the SmartLock key a third time to unlock it and the LED turns off.

The model e2 provides a number of custom keyboard shortcuts for quick access to functions using SmartLock keys. Keyboard shortcuts are described in the diagram to the right. For example, on a regular keyboard, you press three keys (CTL, ALT, and DEL) simultaneously to pull up Windows Task Manager (default if your computer is not connected to a network domain). On the model e2 you can simply press the SmartLock key sequence below to perform the same function:





FN	ESC	CTL+ALT+DEL shortcut
FN	TAB PRT SCN	print screen
FN	B BR ↓	screen brightness down
FN	N BR ↑	screen brightness up
FN	/ ? Wd	launch wireless dashboard
FN	. @ KBD	keyboard backlight on/off

FN	L VOL ↑	volume up
FN	K VOL ↓	volume down
FN	⏪ ROTATE	rotate screen
FN	M DESK	show/hide desktop
FN	< MUTE	mute on/off
FN	↑ PG	page up

FN	↓ PG ↓	page down
FN	> VIDO	switch output display
FN	← HOME	jump to beginning of line
FN	→ END	jump to end of line
FN	BSP DELETE	delete
FN	ENTER INSERT	switch between insert and typeover mode

using TouchScrollers, digital pen, and other screen features

screen features

Your model e2 features a 5-inch Wide VGA LCD screen for readability indoors and outdoors. The computer automatically adjusts screen brightness using a sensor to detect ambient light. To manually increase and decrease screen brightness, use the keyboard shortcuts:



The native screen resolution is set to 800 x 480 pixels. You can increase the resolution and adjust many other display settings in the Display control panel. You can also rotate the display by pressing the keyboard shortcut:



Zoom in and zoom out keys are located in the bottom left corner of the keyboard. To pan around the screen while in a zoomed mode, move the mouse pointer towards the screen edge in the desired direction.

capacitive TouchScrollers

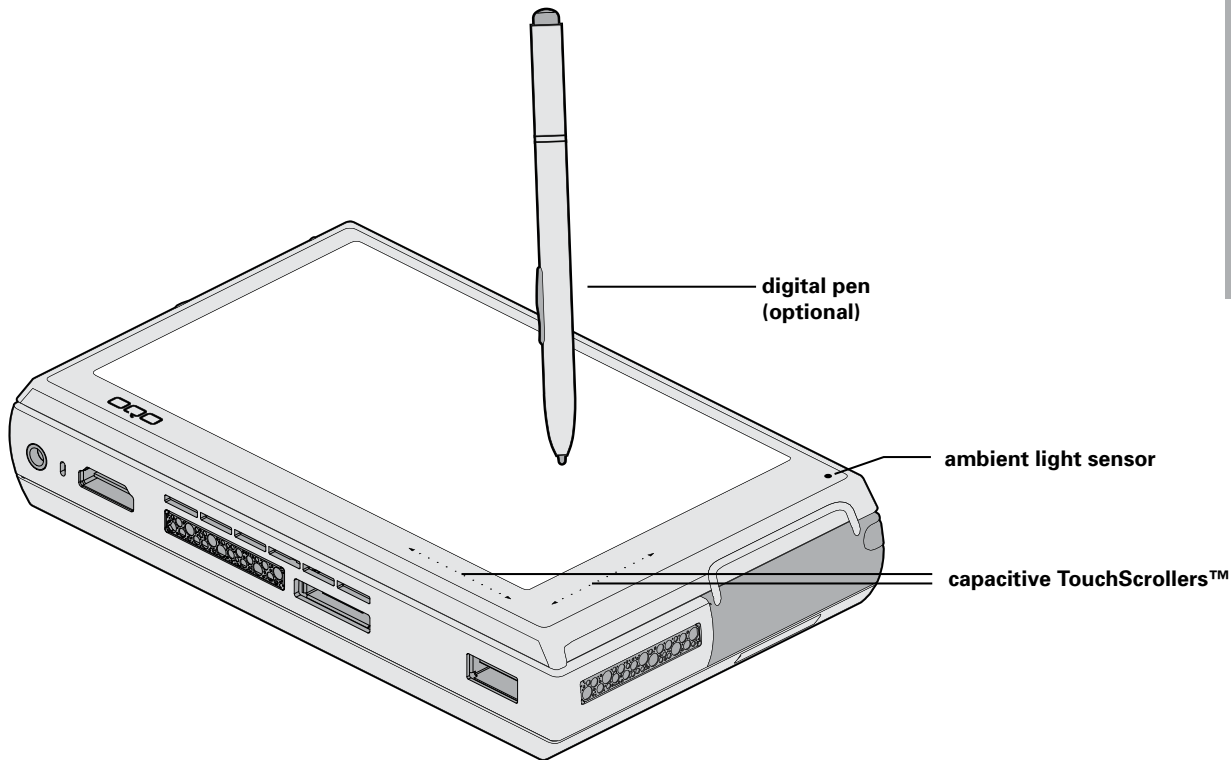
Capacitive TouchScrollers are embedded in the lower right corner of the screen frame. To scroll horizontally or vertically within an application window, slide your thumb along the scrollers.

digital pen

(This feature is not available on some computer configurations)
The display is also equipped with a digitiser that accepts input from a digital pen. Use the digital pen as follows:

- To select an object, tap the object with the tip of the pen.
- To double-click an object, quickly tap it twice.
- To right-click an object, select it and click the button on the digital pen.

Before using the digital pen you should first calibrate the pen to the display. Use the Pen Tablet applet in the Control Panel to calibrate the pen and adjust user preferences. Use only light pressure with the pen. The angle of the pen will affect its behaviour, and it should be calibrated at the angle which feels most natural to you. More information on the pen can be found at <http://www.oqo.com/intl/support>.



connecting to a network

The model e2 offers a number of ways to connect your computer to a network:

- Use the integrated WiFi for high-speed wireless connections in hot spots.
- Use the integrated WWAN technology (optional) for mobile broadband connectivity.
- Use the VGA/Ethernet adapter to attach an Ethernet cable and connect to a Local Area Network (LAN).
- Use the integrated Bluetooth and a Bluetooth-enabled cellular phone to connect to a mobile broadband network (see <http://www.oqo.com/intl/support> for more information).

wireless dashboard

The OQO wireless dashboard provides fast and convenient control of your wireless connections. You can turn radios on and off and view connection status information. Additionally, you can access device-specific configuration settings through the wireless dashboard. To access the wireless dashboard, use the keyboard shortcut:



To connect the computer to an Ethernet network, use the supplied VGA/Ethernet adapter. Plug the VGA/Ethernet adapter into the computer's docking connector and connect the Ethernet cable to the adapter.

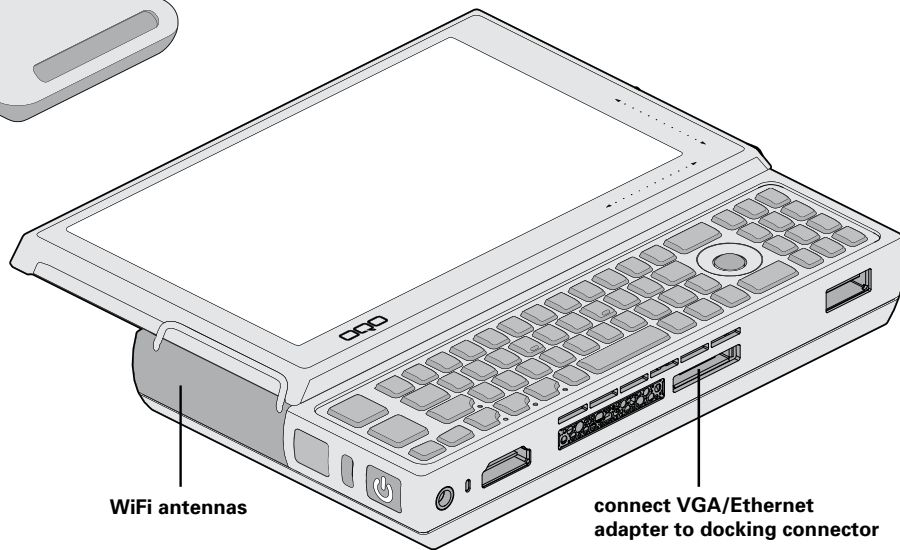
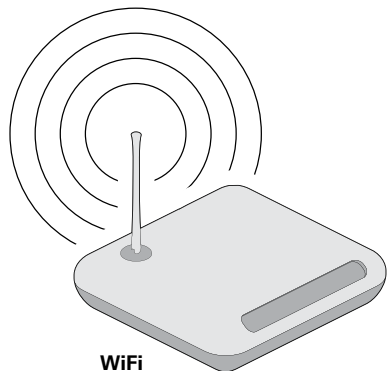
For detailed information about configuring WiFi or Ethernet network connections, visit Microsoft's website at <http://www.microsoft.com>.

connecting to mobile broadband (optional)

For computer configurations with the HSDPA mobile broadband option, Novatel's MobiLink connection manager can be used to connect to your preferred carrier's network. To enter your carrier's APN, click on the the upper left menu of MobiLink to access the Profile Manager.

Alternatively, you can select OQO wireless dashboard (in the WWAN tab of OQO settings in the Control Panel) to control your mobile broadband connection.

For detailed instructions on how to connect your device to your preferred carrier's network using MobiLink or the OQO wireless dashboard, visit OQO's knowledgebase website at <http://www.oqo.com/intl/support>.



connecting the docking station and peripherals

The model e2 offers a number of ways to connect peripherals to your computer.

For USB devices, the model e2 has a USB 2.0 port for high-speed data transfer. For multiple USB devices, you can use a USB hub with the model e2. You can also connect peripherals to the computer using Bluetooth. The device and the computer must first be paired through the Toshiba Bluetooth manager.

connecting an external display

There are several ways to connect an external display or projector to the model e2:

- To attach a display using a VGA connection, plug the supplied VGA/Ethernet adapter into the computer's docking connector, and connect the video cable from the display to the VGA port of the adapter.
- To attach a display using an HDMI connection, simply plug the video cable from the display into the model e2's HDMI port.
- If the external display has a DVI connection, you'll need to use an HDMI to DVI adapter.

- The optional OQO docking station also has VGA and HDMI ports for simultaneous output to two external displays.

Once an external display is connected, the model e2 with DisplaySense™ technology should automatically detect and output to it. You can switch video output between the external display and internal only display by pressing the keyboard shortcut:



Settings for external display resolution and mirrored and extended desktop mode can be found in the Display control panel.

connecting a docking station

OQO docking stations with port extension and optical drive are available for the model e2. The OQO docking station is uniquely designed with an adjustable arm that can be angled for optimal screen viewing and compact storage.

OQO docking stations have HDMI, VGA, Ethernet, audio jack and power ports in addition to three high-speed USB ports. To use the optical drive, the docking station must be powered by your computer power supply connected to an AC outlet or by a car/aeroplane adapter (optional).



docking station ports

- 2 USB
- Ethernet
- audio jack
- VGA
- HDMI

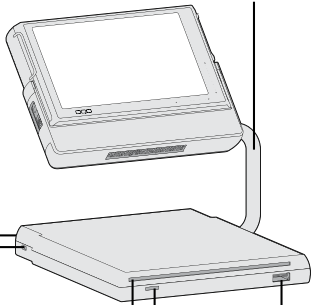
adjustable arm

security slot

optical drive

CD/DVD eject

USB port



installing software and transferring files

Install your own software on the model e2 or transfer files between the model e2 and another computer.

software installation

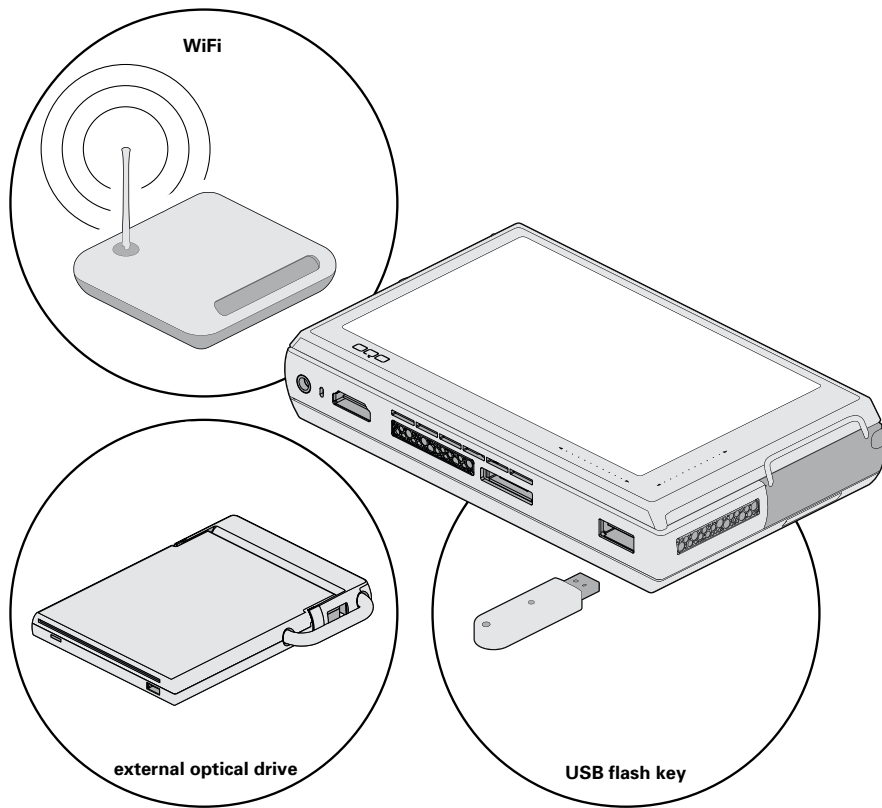
There are several ways to install your own software on the model e2:

- For software provided on a CD or DVD, install the software either by using the optical drive in the optional docking station or by connecting to an external USB optical drive.
- For software downloaded over the Internet, install the software just as you would with a desktop computer.
- For software available on a local area network, connect to the network using the VGA/Ethernet adapter, WiFi, or optional mobile broadband, and then install the software just as you would with a desktop computer.

file transfers

You can transfer files between the model e2 and another computer by doing one of the following:

- Use the optical drive in the optional docking station, an external USB optical drive, or a USB flash key to store files on external media for transfer to another computer.
- Connect the computer to a local area network using the VGA/Ethernet adapter, WiFi, or optional mobile broadband, and transfer files over the network.
- Use Bluetooth to transfer files between the model e2 and another Bluetooth-enabled computer.
- Use an e-mail program to mail files from one computer to another.
- Use an FTP program to upload files from one computer and then download them to the other.



using model e2 security features

The model e2 offers a number of features to help protect both your computer and your data.

active drop detect

The model e2 detects free-fall and automatically parks the head on the computer's hard drive if the computer is dropped. This feature helps prevent data loss that might occur if the drive heads were to contact the disk during impact. This feature is not applicable to computers configured with the optional solid state drive.

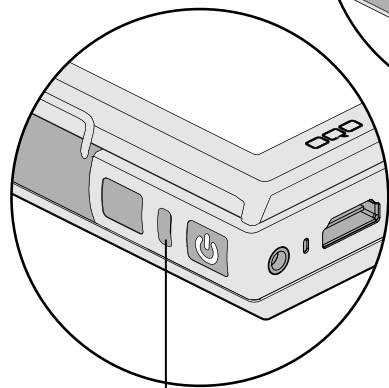
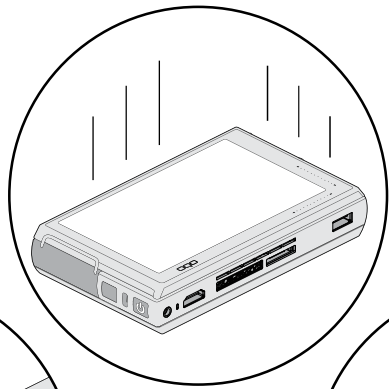
universal security slot

Both the model e2 and the optional docking station have universal security slots for attaching an optional security locking cable. The slots are compatible with standard security locking cables designed for laptops.

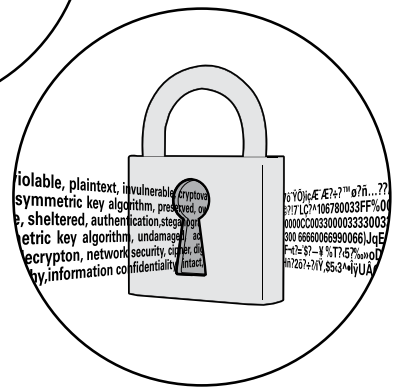
hardware security engine

The VIA PadLock™ Security Engine is a hardware based security technology that provides the latest military-grade encryption and protection for your personal or corporate files. The security engine incorporates advanced protection features such as AES encryption and a secure hash algorithm.

shock mounted HDD
with active drop detect



universal
security slot



hardware security
engine

accessories

docking stations

- docking station with optical drive (CD±RW/DVD-ROM)
- docking station with dual layer optical drive (DVD±RW/RAM)

carrying cases & bags

- stronghold case (standard)
- stronghold case (double capacity)
- executive case
- belt clip case
- mesh cable bag

power solutions

- standard battery
- double capacity battery
- universal power supply
- battery charging adapter
- car/aeroplane adapter
- short power supply cable

cables & adapters

- VGA/Ethernet adapter
- HDMI-DVI cable
- HDMI-HDMI cable
- HDMI-DVI adapter

other accessories

- digital pen
- track stick caps, 3-pack
- screen protectors, 3-pack

keyboard & mice

- iGo® Stowaway® Bluetooth keyboard
- iGo® Stowaway® Bluetooth travel mouse
- Targus USB mini mouse

product support

The OQO support site provides additional information, including FAQs and articles, and contact information for technical support.

Access the support site at
<http://www.oqo.com/intl/support>.

In the event you need to contact OQO technical support for help, be sure to have your serial number and Microsoft Certificate of Authenticity (COA) product key ready. They are located under the battery on the underside of the model e2. See the section on removing and attaching the battery for instructions.

CE Declaration of Conformity

We, OQO, Inc. 583 Shotwell Street, San Francisco, California, USA, 1-415-430-6200, declare under our sole responsibility that the product, OQO model e2, to which this declaration relates is in conformance with the provisions of the following directives: Directive 1999/5/EC governing Radio Equipment and Telecommunications Terminal Equipment and the Mutual Recognition of their Conformity

Directive 73/23/EEC governing product safety
Directive 89/336/EEC governing electromagnetic compatibility using the following standards:

EN 60950-1: 2001
EN 300 328-2 v1.2.1
EN 301 489-17 v1.2.1/EN 301 489-1 v1.4.11
EN 55022: 1994 w/A1 and A2
EN 55024: 1998

For a list of countries where the model e2 can be used and the restrictions, see: <http://www.oqo.com/intl/support>.

Caution: Any changes or modifications not expressly approved by OQO for compliance will void the user's authority to operate the equipment.

Copyright © 2006 OQO, Inc. All rights reserved. This manual may not be copied, in whole or in part, without the written consent of OQO.

OQO, Inc.
583 Shotwell Street
San Francisco, CA 94110
1-415-430-6200
OQO Support 1-877-676-6688
<http://www.oqo.com/intl>

The information in this guide is subject to change without notice. OQO makes no warranty of any kind with regard to this manual, including, but not limited to, the implied warranties of merchantability and fitness for a particular purpose. OQO shall not be held liable for errors contained herein or direct, indirect, special, incidental, or consequential damages in connection with the furnishing, performance, or use of this material.

Trademarks

OOO, TouchScrollers, SmartLock, and DisplaySense are trademarks or registered trademark of OOO, Inc.

Microsoft and Windows are registered trademarks of Microsoft Corporation in the U.S. and other countries.

Bluetooth is a registered trademark of Bluetooth SIG, Inc.

VIA Padlock is a trademark of VIA Technologies, Inc.

iGo is a registered trademark of Mobility Electronics, Inc.

Stowaway is a registered trademark of Mobility California, Inc.

Targus is a registered trademark of Targus Group International, Inc.

for more information
www.oqo.com/intl/support