

# TOSHIBA

## DIGITAL STILL CAMERA QUICK REFERENCE GUIDE

### PDR-2

Welcome to TOSHIBA DIGITAL STILL CAMERA PDR-2

- Quick reference (printed)

This manual describes how to use PDR-2 briefly and how to install /use the bundled applications.

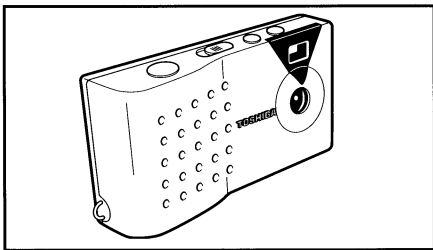
- On-Line (CD-ROM)

PDR-2 CD-ROM contains the full version of instruction manual. Please read this manual before using camera.

数码说明书之家

2005.09.08

[www.54gg.com](http://www.54gg.com)



#### CONTENTS

ON-LINE MANUAL .....	2
SETUP .....	3
CAPTURING IMAGE .....	4
DELETING IMAGE .....	5
INSTALLING IMAGE EXPERT .....	6
IMAGE EXPERT KEY FEATURES .....	8
INSTALLING LIVE PIX .....	13
CAUTIONS .....	14
WARNING DISPLAY .....	19
TROUBLESHOOTING .....	19

In the space provided below, please record the model and Serial No. located at the rear of your camera.

Model No. PDR-2 Serial No. \_\_\_\_\_

Please retain this information for future reference.

Image Expert and Camio are trademarks of Sierra Imaging, Inc.  
Live Pix™ and Live Pix SE are trademarks of Live Picture, Inc.  
Apple and Macintosh are registered trademarks of Apple Computer, Inc.  
Power PC is a trademark of International Business Machines Corporation.  
Windows is a registered trademark of Microsoft Corporation.

## ON-LINE MANUAL

Please read the manual on the PDR-2 CD-ROM before use camera.

- How to use the on-line manual on the PDR-2 CD-ROM

### Windows95

- (1) Insert the PDR-2 CD-ROM into CD-ROM drive.
- (2) Select your language from the first screen.
- (3) Click the "Manual" icon.

### Macintosh

- (1) Insert the PDR-2 CD-ROM into CD-ROM drive.
- (2) Open your language folder.
- (3) Double click the "Manual" icon.

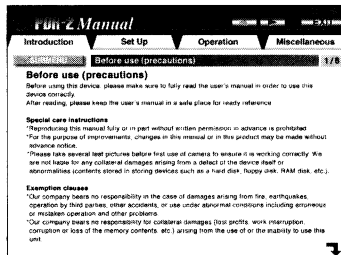
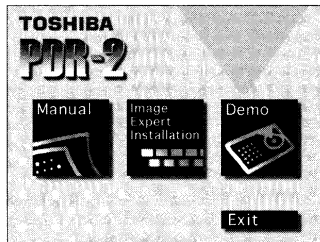
**CHAPTERS:** There are four chapters. User can select chapter by clicking the tab.

**SUB MENU:** Click submenu button, and the contents of the chapter appears.

Click one of the contents to see this section.

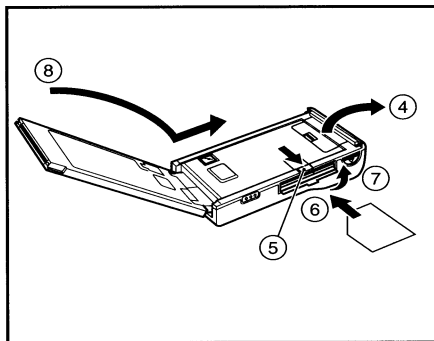
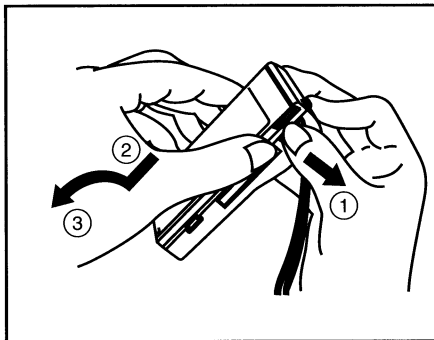
**PAGE UP/DOWN:** Click arrow button to move forward/backward page.

**EXIT:** Quits the manual, then goes back to the menu screen.



## SETUP

- (1) Slide the PC Card release lever down (①), then slide the PC Card slightly to the left to free it from its locked position (②), then open (③).
- (2) Lift up the battery compartment lid to take it off (④). Insert the battery with the (-) terminal towards the top end of the camera. Then close the battery compartment lid.
- (3) Pull the SmartMedia Eject lever to open the lid (⑤). With the front side (the side with gold on it) facing toward front of the camera, insert the SmartMedia card as far as possible (⑥). Then close the lid (⑦).
- (4) Close the PC Card, then slide PC Card to the right to lock in place (⑧).



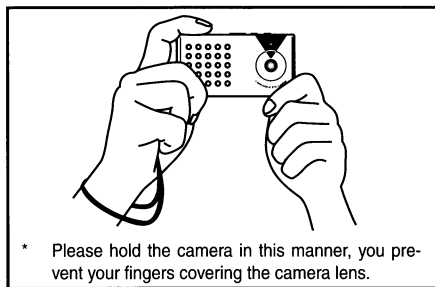
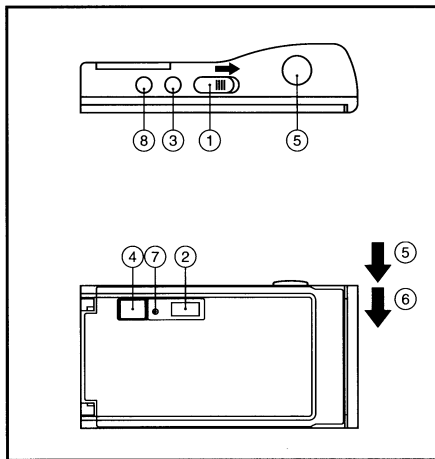
## CAPTURING IMAGE

- (1) Slide the power switch (①).
- (2) The number of shots remaining appears in the LCD (②).
- (3) Select Fine or Standard mode by pressing the mode button (③).
- (4) Frame your shot by looking through the optical viewfinder (④).
- (5) Press the shutter button half way to activate automatic exposure operation (⑤). LED (green) lights up, then fully press the shutter button to capture the image (⑥).

\* When fully pressing shutter button all at once, image capture will be done as soon as exposure operation has been completed. If you release the shutter button before exposure operation is completed, image capture will not be done.

\* When over or under exposure the LED (green) starts flashing.

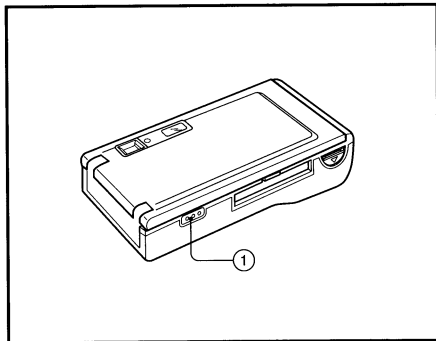
- (6) During data recording, the LED (red) lights up, and LED goes out recording is completed (⑦).
- (7) Pressing the Display button (⑧) will display on LCD the number of images already in memory.



## DELETING IMAGE

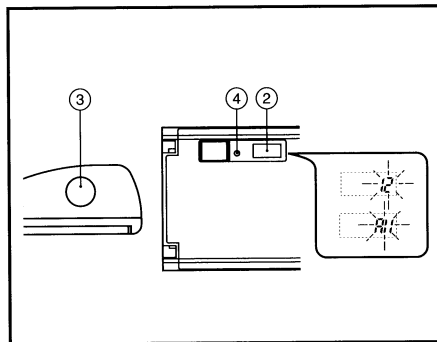
### 1. Deleting the last image

- (1) Press the erase button (①). Then the number of images already in memory flashes in the LCD (②).
- \* Description written in the CD-ROM for this item is incorrect, so use above description.
- (2) Release the erase button and press the shutter button (③).
- (3) Last image taken is deleted.
- (4) The number of shots remaining increase one by one.



### 2. Deleting all images (initializing the SmartMedia)

- (1) Press the erase button and hold it down (①) for 5 seconds until the "All" indicator starts flashing in the LCD (②).
- (2) Continue holding down the erase button and press the shutter button (③). All images in memory will be deleted. The LED (red) goes out when the initialization has been completed (④).
- (3) The number of shots remaining will return to 24 (2MB) when this procedure is performed in the Fine mode. The number of shots remaining will return to 48 (2MB) when this procedure is performed in the Standard mode.



## INSTALLING IMAGE EXPERT

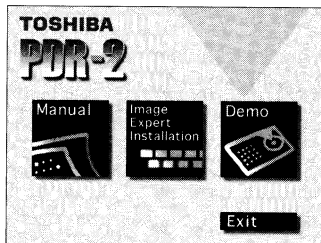
Image Expert is the software fully optimized for use with PDR-2. It is recommended you install on your computer before trying to download images from camera. Image Expert provides instant image download from PDR-2 to your computer and drag and drop support with OLE applications.

### Windows95

- (1) Insert the PDR-2 CD-ROM into CD-ROM drive.
- (2) Select your language from the first screen.
- (3) Click the "Image Expert Installation" icon.
- (4) Select the language again.
- (5) Continue the setup according to the installer.

### System Requirement

I486 processor or better  
Microsoft® Windows®95 or later  
16MB RAM  
16MB free hard disk space  
CD-ROM drive  
Color monitor with 256 colors



## Macintosh

- (1) Insert PDR-2 CD-ROM into CD-ROM drive.
- (2) Open the language folder of your choice.
- (3) Open the "Image Expert" folder.
- (4) Double click the installer.
- (5) Continue the setup according to the installer.

### System Requirement

68040 processor or PowerPC™  
System 7 or later  
16MB RAM  
16MB free hard disk space  
CD-ROM drive  
Color monitor with 256 colors.

- If you need the floppy disk to install...

## Windows95

Select "Run" from Start menu on the Windows Task Bar.

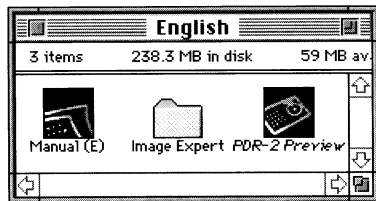
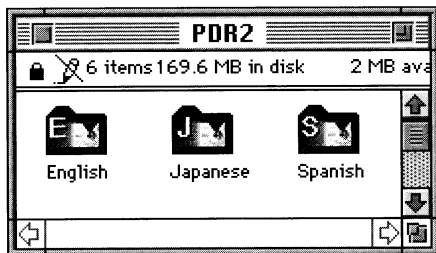
Type "d:\win95\image\_expert\mkfloppy\" and click OK. (In case CD-ROM drive is d:)

Select a language and follow instruction.

Six high-density floppy disks are required.

## Macintosh

There are five disk images in the "Disk Images" folder. Please use "Disk Copy" utility (available from Apple Computer web site) to make the floppy disks.



## IMAGE EXPERT KEY FEATURES

This chapter explains the key features of Image Expert software. For more details, please see the "Quick Tour" and Online help (select from the Help menu).

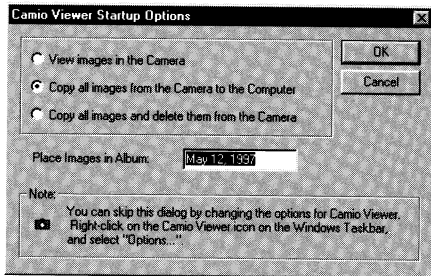
### Windows95

#### 1 Viewing the images

(1) Insert the PC Card of the PDR-2 into PC Card slot. The "new drive recognized" sound will be heard when the card is inserted correctly (\*1). Camio Viewer applet (\*2) (small camera icon on the Windows Taskbar) will recognize the insertion of PDR-2, and "Camio Viewer Startup Options" dialog shows up.

(\*1) If you have never insert an ATA memory card into your computer, a dialog to install the driver will appear when inserting the PC Card of PDR-2. Please select the Windows default driver option for installation.

(\*2) Camio Viewer applet



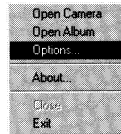
数码说明书之家

2005.09.08

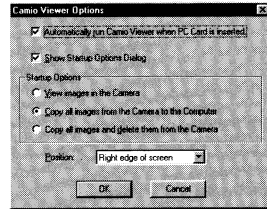
www.54gg.com




(2) Click OK. All images in the PDR-2 will be automatically transferred into an album on your computer. Camio Viewer will then open up a film-strip on the right side of your monitor containing miniature images called “thumbnails”. These appear in one scrollable window for you to view. The default album is a folder named according to the current date, located under “Image Expert Images” directory (\*2).



Camio pop up menu



Option dialog box

(\*2) If you use the right mouse button to click on the Camio icon on the Windows Taskbar,  and select “Options...”, you can change the configuration of the Camio Viewer. (a) If you choose the “View images in the Camera” option, Camio will display the thumbnail images directly from the camera for your preview without saving images to the hard disk. When you double-click on any thumbnail, “Select Album” dialog appears to select an album destination or to create new album where your images will be stored on your computer. Click “Open”, then Image Expert transfers the image to that album. Double-clicking images in your album window brings up a image. (b) Choosing “Copy all images from the camera to the computer” will display thumbnail images and automatically save them to hard drive. (c) Choose “Copy all images and delete them from the camera”, and the program will automatically display thumbnail, save to the hard disk, and delete images from camera memory.

(3) Double click one of the thumbnails on the film-strip. Image Expert brings up an image for you to view and work with.



## 2. Adding Images to Other Applications

You can easily drag and drop images from an album of Image Expert/Camio Viewer into other applications if they are OLE-compliant (\*3). If your application does not support OLE, you can still copy images into other applications by using the Copy/Paste command.

- (1) Click and hold down the right mouse button over the thumbnail of image you want to copy.
  - (2) Drag the image into another application.
  - (3) When the mouse cursor is over the place where you want the image, release the mouse button.
- (\*3) OLE stands for Object Linking and Embedding. Within OLE applications, the image can be enhanced with the Image Expert toolbar by double clicking the picture after the drag and drop (see chapter 4 Enhancing your images).

## 3. Working with Album



### (1) Open album

Use this command to bring up a dialog box allows you to open an album from a list of available albums. The selection defaults to what is currently on your computer. You can easily browse your hard drive or other connected drives. If you are on a network, you may browse to your network image archive.



### (2) New Album

Brings up a dialog box, which shows you the directory you are currently in, and lets you choose a name for your new album. Once you have selected a name for your new album, Image Expert opens the window so you may begin adding images to it.

### (3) Move the images to another album

To copy images to another album, drag and drop the images to the destination. To move the images to another album, drag and drop the images with Shift key pressed.

### (4) Rename images and albums

Simply click on a thumbnail to select it, then click on the name. Type in a new name and hit the return key. Albums can be renamed by selecting the rename Album command from the edit menu.



## (5) Slide Show

Use this command to display and hide the Slide Show option. Once you have opened an album, Slide Show allows you to view all images in that album sequentially. A toolbar will pop up once you choose View Slide Show.

## 4. Enhancing your images



### (1) Quick Fix

Use this command to have Image Expert automatically adjust your image to make it look better. This is a useful place to start with image modifications if you are not sure what to do it.

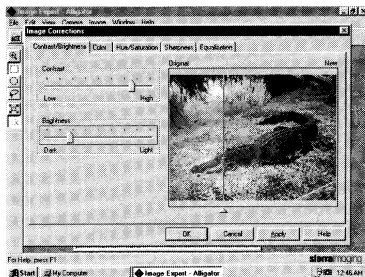


### (2) Corrections

Use this command to bring up a tabbed “Before/After” dialog box which allows you fine to adjust how your image looks. You can adjust the brightness and contrast of an image, adjust the colors in an image, adjust hue and saturation, modify the sharpness, or equalize the image. The split window allows you to preview your changes; you can use the slider bar to move back and forth from the original and changed images before accepting your changes.

If you wish to see your changes on the full size image without exiting Corrections, click Apply.

To undo the color adjustment, choose Edit Undo.



### (3) Cropping

Cropping an image allows you to crop, or cut away everything outside the area you wish to keep. First, open the image you wish to modify by using the Open Album or Open Image command. To select the area you wish to keep, choose the drawing tool you wish to use, hold down your mouse button, and drag the mouse over the area. You will see a dotted border, indicating the area you selected. To change the size of the area, single click anywhere on the image, and repeat the process. Once you have the area selected, you can either click the crop button or choose Edit Crop. Your modified image will remain on the screen, with the excess removed.

## Macintosh

### 1. Viewing the Images

Confirm the "PC exchange" is installed in the control panels folder of System Folder. If not, check the Owner's Manual for the Macintosh.

- (1) Insert the PC Card of the PDR-2 into PC Card slot.
- (2) A drive untitled is mounted on the desktop.
- (3) Double click the Image Expert icon to run.



- (4) Click the "View Camera images" icon on toolbar.

- (5) The thumbnail images in the camera will be displayed on the filmstrip.
- (6) Double-click on any thumbnail, "Select Album" dialog appears to select album destination to create new album where your images will stored on your computer. (\*4)
- (7) Click "OK", then Image Expert transfers the image to that album.
- (8) Double click one of the thumbnails on that album. Image Expert brings up full size image for you to view and work with.



- (\*4) You can use "Get Camera Images" command when you want to transfer all images from the camera to the computer. If the camera win-

dow is open, and one or more images are selected, then the selected images will be transferred from the camera to the computer. If the camera window is not open, or it is open but no images are selected, then all images will be transferred from the camera to the computer.

### 2. Other Option

Please refer to the descriptions for Windows95.

## INSTALLING LIVE PIX

### Windows95/Macintosh

- (1) Insert the Live Pix CD-ROM into CD-ROM drive.
- (2) Follow the instructions displayed on the screen.
- (3) After completion of the installation, you can see major functions in the orientation tour. For more details, refer to the online help.

### System requirement

#### Windows

Microsoft® Windows®95  
I486DX4 100MHz (Pentium® Recommended)  
8MB RAM (16MB RAM recommended)  
40MB free hard disk space  
VGA (640x480) monitor with 256 colors (800x600  
16-bit color recommended)  
CD-ROM drive 2x or higher

#### Macintosh

PowerPC™ processor  
Macintosh OS 7.5.3 or higher  
16MB RAM Virtual Memory On (24MB RAM VM On  
recommended)  
40MB free hard disk space  
VGA (640x480) monitor with 256 colors (832x624,  
16-bit color recommended)  
CD-ROM drive 2x or higher

- \* Live Pix SE is of a functions limited version. The upgrade service to full version will be available from Live Picture Inc.

### Note

- \* Please don't take the PC Card part out of the PC Card slot while editing images using the computer, as stored data may be deleted.
- \* Use the release lever of the computer to remove the card from the PC Card slot. Be careful to hold the camera to prevent it from falling.
- \* SmartMedia can be removed from camera and used as PC Card memory (ATA flash memory card) by using an optional SmartMedia adapter PC Card (3.3V)

## CAUTIONS

Before using this device, please make sure to fully read the user's manual (CD-ROM) in order to use this device correctly.

After reading, please keep the user's manual in a safe place for ready reference.

### Trademarks

Windows and Windows 95 are registered trademarks of Microsoft Corporation.

Macintosh is a registered trademark of Apple Computer, Inc.

Image Expert is a registered trademark of Sierra Imaging, Inc.

Live Picture is a registered trademark and Live Pix is a trademark of Live Picture, Inc.

FlashPix is a trademark of Eastman Kodak Company. All other products or name brands are trademarks of their respective holders.

### Warning

If the following precautions are not followed, there exists the danger of death or serious personal injury.

- Don't disassemble, change or repair the unit. This could result in fire, electric shock, and injury. Please leave repairs to authorized facilities.
- If you want to use the unit on an airplane, please

consult with the airline in advance.

For aviation control, there may be restrictions for use, please follow the directions of the airline in question.

- Don't use in traffic. Please never attempt to shoot images while walking or driving a car, as this may result in traffic accidents.
- Don't walk around with camera swinging from wrist-strap, as it is easy for the unit to be subjected to shocks and to get caught between doors, etc., resulting in defects or injury.
- Don't try to recharge the batteries. The batteries may burst or leak resulting in fire and injury.
- Don't allow the plus (+) and minus (-) battery terminals to make a short circuit. The batteries may burst or leak resulting in fire and injury. As a short circuit can also occur while carrying batteries around or during storage, please don't allow them to make physical contact with metal objects.
- Don't apply heat or disassemble the batteries and don't dispose of them in water or by incineration. The batteries may burst or leak resulting in fire and injury.
- Keep the batteries out of reach of children.

Swallowing a battery by a child results in poisoning. If a battery is swallowed, immediately consult with a physician.

If battery fluid enters the eye, immediately rinse with water and consult with a physician to receive treatment. If left without treatment, damage to the eye could be permanent.

## Notes

If the following notes are not followed, there is the danger of personal injury or damage to the unit.

- Don't use the camera in places with excessive humidity or dust. This could result in fire and electric shock. In addition, stored data could be corrupted due to defects as a result of condensation.
- Should you ever notice smoke, a strange odour or excessive heat coming from the camera, immediately turn off the power and remove the batteries. Using the unit under these circumstances can result in burn.  
Leave repairs to the dealer where you purchased the unit.
- Don't look at the sun through the camera finder. This may result in soreness of the eyes.
- Don't allow foreign matters such as paper clips, etc. to enter the unit and doesn't spill liquid such as coffee over the unit.  
This could result in electric shock and defects. Please, take special care during rain, snow, on

the beach or near the shore.

Should water come into the unit, turn the power off, remove the batteries and contact your dealer.

- Don't leave the camera behind in place where the temperature may rise significantly, such as inside a car.  
This could result in burns, and due to excessive temperature defects could occur or stored data could become corrupted.
- Don't wrap the camera in cloth or blankets, etc. Due to a rise in heat of the camera, this could lead to burns to the cloth or blankets, etc.
- Remove the batteries should the camera be dropped or subjected to severe impacts. Using the unit under these circumstances could result in electric shock and defects. Please consult your dealer.
- Don't insert the batteries with the plus (+) and minus (-) terminals reversed.
- Remove the batteries if you plan not to use the camera for an extended period.
- Rinse clothing or skin with fresh water in case battery fluid spills over clothes or your skin.  
If you don't do this, you may experience skin irritation.
- Use the specified batteries.
- Apply tape over the plus (+) and minus (-) termi-

nals when storing exhausted batteries or disposing of them.

If stored or disposed of without doing this, the batteries may make contact with metal objects, resulting in leaking of battery fluid, overheating or bursting of the battery, and personal injury.

- When initializing SmartMedia, always make sure that no remaining data is left, as initializing deletes all data on the SmartMedia.
- Do not play back the accessory CD-ROM with a conventional CD player.  
If play back, the headphones or speakers may be damaged or the ears may be injured.
- When disconnecting this unit from the PC card slot of the personal computer, take care the PC card section may show a high temperature due to temperature rise inside the computer.

## **SPECIAL CARE INSTRUCTION**

- Please avoid using the camera in the following place.

In areas subject to direct sunlight.

In areas subject to extremely high or low temperatures.

In areas where the temperature may change suddenly, causing condensation.

In areas subject to high humidity.

In areas subject to excessive dust.

In the direct neighborhood of electrical equipment generating strong radio waves or magnetic fields (Television, radio, microwave oven, speakers, etc.)

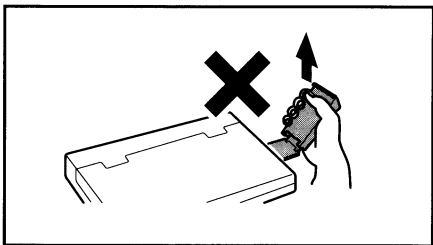
In areas subject to severe impact or vibrations.

In areas subject to chemicals.

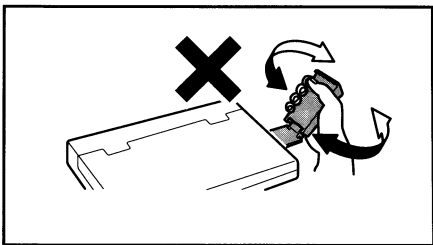
- When cleaning the camera, don't use benzene, cleaners containing alcohol, thinner, etc. These chemicals could damage the finish and indicators, and lower the quality.
- Clean all optical lenses by lightly rubbing with a clean, dry cloth.
- When moving or storing the unit, always use the original box.
- Don't insert foreign objects, such as paperclips, etc. into the connector of the PC card portion.
- When inserting the PC card portion into a PCMCIA card slot, don't pull at or twist the main unit.  
When moving the computer, remove the card part of this camera from the card slot.



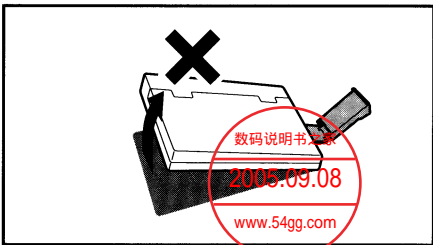
- 1) Don't pull at the main unit of camera when the card is inserted into the PCMCIA card slot.



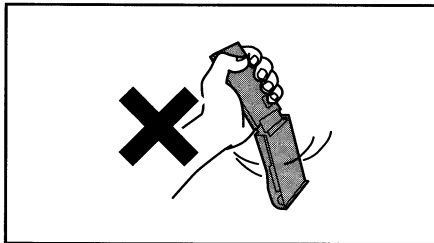
- 2) Don't twist the main unit of the camera when the card is inserted into PCMCIA card slot.



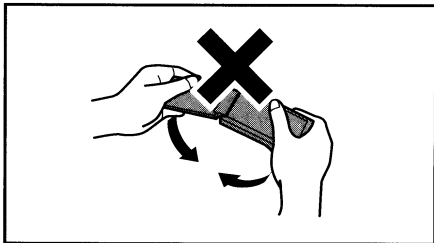
- 3) Don't lift up or turn over the computer when the card is inserted into the PCMCIA card slot. When the PC card portion is open, please don't hold the unit solely by the PC card portion, don't hold parts and make bending or twisting movements at the same time.



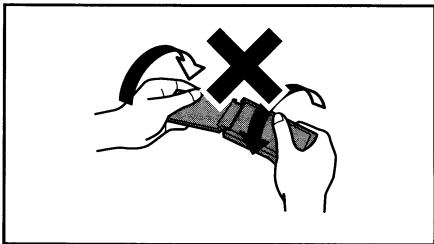
4) Don't hold only by the card part.



5) Don't bend when holding both the card part and the main unit.



6) Don't make twisting movements when holding both the card part and the main unit.



## WARNING DISPLAY

LCD	Condition	Content	Refer to
Battery	Flashes	Battery is almost dead	Inserting the battery
Battery	Lights up	Battery is dead	Inserting the battery
-	Lights up	SmartMedia is not loaded SmartMedia is not initialized	Loading SmartMedia Delete all images (initialization)
E	Lights up	Corruption or deletion of SmartMedia data	Concerning SmartMedia
P	Lights up	SmartMedia write-protect is engaged	Concerning SmartMedia
00	Lights up	No remaining images in SmartMedia	Deleting the last image or Delete all images (initialization)

\* If the shutter, mode, display or erase button is pressed while a warning display other than the battery mark is shown, the respective functions will not work.

## TROUBLESHOOTING

Symptom	Cause	Procedure
The power can't be switched on	No batteries inserted. Battery is dead. The PC card is not closed.	Install the battery correctly or replace it. Close the PC card correctly.
The power switches off by itself	Because no operation was performed, activating auto power off.	Switch the unit on again.
No images can be captured	SmartMedia is not loaded. SmartMedia isn't initialized. The useful life of the SmartMedia card has come to an end. SmartMedia data is corrupted or deleted. SmartMedia write-protect is engaged. The number of shots remaining is 0. The shutter button isn't pressed to the second stage.	Load the SmartMedia card correctly. Initialize the Smartmedia card. Load a new SmartMedia card correctly.  Load a new SmartMedia card correctly. Remove the write-protection seal. Delete the last image or deleting all images. Press the shutter button to the second stage.
The image is dark	Not enough light.	Illuminate the subject to be captured.

**Product Name: Digital Still Camera**

**Model Number: PDR-2**

**FCC Notice “Declaration of Conformity Information”**

This device complies with Part 15 of the FCC Rules.

Operation is subject to the following two Conditions:

1. This device may not cause harmful interference, and
2. This device must accept any interference received, including interference that may cause undesired operation.

This equipment has been tested and found to comply with the limits for a Class B digital device, pursuant to part 15 of the FCC Rules. These limits are designed to provide reasonable protection against harmful interference in a residential installation. This equipment generates, uses and can radiate radio frequency energy and, if not installed and used in accordance with the instructions, may cause harmful interference to radio communications. However, there is no guarantee that interference will not occur in a particular installation. If this equipment does cause harmful interference to radio or television reception, which can be determined by turning the equipment off and on, the user is encouraged to try to correct the interference by one or more of the following measures:

- Change the direction of the radio or TV antenna.  
Move the computer or the radio or TV. For example, if the computer is to the right of the TV, move it to the left of the

TV. Or, move the computer farther away from the radio or TV.

- Plug the computer into a different outlet. Don't plug your radio or TV into the same circuit as your computer.
- Ensure that all expansion slots (on the back or side of the computer) are covered. Also, ensure that all metal retaining brackets are tightly attached to the computer.

If these suggestions don't help, consult your computer dealer or experienced radio/TV technician for help.

If you modify the camera in any way, without getting approval from Toshiba Corporation, your camera may violate FCC regulations. Violation of FCC regulations may cause the FCC to void your right to use the modified camera. Only peripherals (computer input/output devices, terminals, printers, etc.) certified to comply with the Class B limits may be attached to the computer containing the camera. Operations with non-certified peripherals are likely to result in interference with radio and TV reception.

**Canadian DOC Statement**

This Class B digital apparatus meets all requirements of the Canadian Interference-Causing Equipment Regulations.

Cet appareil numérique de la classe B respecte toutes les exigences du Règlement sur le matériel brouilleur du Canada.

**TOSHIBA AMERICA INFORMATION SYSTEMS, INC.**

Contact: Toshiba America Information Systems, Inc.  
9740 Irvine Boulevard, Irvine, California 92618-1697  
Telephone: (800) 829-8318 Toll-Free Within The U.S.

**TOSHIBA**

Printed in Japan 70942644