

LP260[™]

USER'S
GUIDE



InFocus[®]

FCC Warning

This equipment has been tested and found to comply with the limits for a Class A digital device, pursuant to part 15 of the FCC Rules. These limits are designed to provide reasonable protection against harmful interference when the equipment is operated in a commercial environment. This equipment generates, uses, and can radiate radio frequency energy and, if not installed and used in accordance with the instruction manual, may cause harmful interference to radio communications. Operation of this equipment in a residential area is likely to cause harmful interference in which case the user will be required to correct the interference at his own expense.

Canada

This Class A digital apparatus complies with Canadian ICES-003.
Cet appareil numérique de la classe A est conforme à la norme NMB-003 du Canada.

Safety Certifications

UL, CUL, TUV, NOM

EN 55022 Warning

This is a Class A product. In a domestic environment it may cause radio interference, in which case the user may be required to take adequate measures. The typical use is in a conference room, meeting room or auditorium.

Declaration of Conformity

Manufacturer: InFocus Corporation

27700B SW Parkway Ave. Wilsonville, Oregon 97070 USA

European Office: Olympia 1, NL-1213 NS Hilversum, The Netherlands

We declare under our sole responsibility that the LP260 projector conforms to the following directives and norms:

Directive 89/336/EEC, Amended by 93/68/EEC

EMC: EN 55022: 1994 + A1 + A2

EN 61000-3-2: 1995 + A1 + A2

EN 61000-3-3: 1995

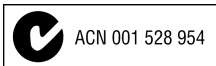
EN 50082-1:1992

Directive 73/23/EEC, Amended by 93/68/EEC

Safety: EN 60950: 1992 + A1 + A2 + A3 + A4: 1997

November, 2000

Australian Certification C-tick mark



Trademarks

Apple, Macintosh, and PowerBook are trademarks or registered trademarks of Apple Computer, Inc. IBM and PS/2 are trademarks or registered trademarks of International Business Machines, Inc. Microsoft, PowerPoint, and Windows are trademarks or registered trademarks of Microsoft Corporation. InFocus and LP are trademarks or registered trademarks of InFocus.

TABLE OF CONTENTS

Safety Instructions	iii
Introduction	I
Image Resolution	1
Compatibility	1
Unpacking the Projector	1
Usage Guidelines	4
If You Need Assistance	4
Warranty	4
Setting up the Projector	5
Connecting a Computer	7
Connecting a Video Player	8
Powering up the Projector and Adjusting the Image	9
Turning Off the Projector	10
Using the Projector	11
Adjusting the Image	11
Using the Remote Control	13
Using the Keypad and Remote Buttons	15
Using the On-Screen Menus	17
Computer Adjustments	18
Video Adjustments	26
Maintenance & Troubleshooting	35
Cleaning the Lens	35
Cleaning the Fan Intake Filters	35
Replacing the Projection Lamp	36
Replacing the Batteries in the Remote Control	38
Troubleshooting	39
Appendix	43
Specifications	43
Accessories	44
Portable and Laptop Activation Chart	46
Using Video Mirroring with a PowerBook Computer	51
Index	53

T a b l e o f C o n t e n t s

SAFETY INSTRUCTIONS

Please read and follow all safety instructions provided BEFORE using your new projector. Failure to comply with safety instructions may result in fire, electrical shock, or personal injury and may damage or impair protection provided by equipment. Please save all safety instructions.

Safety Definitions:

- **Warning:** Statements identify conditions or practices that could result in personal injury.
- **Caution:** Statements identify conditions or practices that could result in damage to your equipment.

Safety Symbols:



Attention: For information about usage of a feature, please refer to the User's Guide.



Warning: Hot surface. Do not touch.



An arrow pointing to the lamp door on the projector.

Safety Terms:

- **Warning:** Don't look directly into the lens when the lamp is turned on.
 - **Warning:** To replace the lamp, turn the projector off by unplugging the power cord. To avoid burns, wait 45 minutes before opening the lamp door. Follow all instructions provided in this User's Guide.
 - **Warning:** Please use the power cord provided. Connect the power cord to a receptacle with a protective safety (earth) ground terminal.
- **Warning:** Refer all service to qualified service personnel. Servicing your own projector will void the warranty. See the following page for the customer service contact information.
- **Caution:** Don't block ventilation openings.

- **Caution:** Don't set liquids on the projector. Spilled liquids may damage your projector.
- **Caution:** Don't place the projector on a hot surface or in direct sunlight.
- **Caution:** Do not drop the projector. Transport the projector in an InFocus-approved case.

Important Operating Considerations

Do not place the projector on a tablecloth or other soft covering that may block the vents. In the unlikely event of the bulb rupturing, thoroughly clean the area behind the projector and discard any edible items placed in that area.

Customer Service

If you need assistance, call InFocus Customer Service directly at **1-800-799-9911**. Support is free between 6 a.m. and 6 p.m. PST, Monday through Friday. Support is available in North America after hours and weekends for a fee at 1-888-592-6800.

Or, send us an e-mail at **techsupport@infocus.com**.

In Europe, call InFocus in The Netherlands at **(31) 35-6474010**.

In Asia, call InFocus in Singapore at **(65) 332-0659**.

INTRODUCTION

The InFocus® LP260™ multimedia projector is specifically designed for the mobile presenter. It generates crisp, clear images and is easy to connect, easy to use, easy to transport, and easy to maintain.

Image Resolution

The SVGA resolution of the LP260's projected image is 800x600. The projector cannot compress screen resolutions above 1280x1024. If your computer's screen resolution is higher than 1280x1024, reset it to a lower resolution before you connect the projector.

Compatibility

The projector is compatible with a wide variety of computers and video devices, including:

- IBM-compatible computers, including laptops, up to 1280x1024 resolution.
- Apple® Macintosh® and PowerBook® computers up to 1280x1024 resolution.
- Most standard VCRs, DVD players, HDTV sources, camcorders and laser disc players.

Unpacking the Projector

The projector comes with the items shown in Figure 1. Check to make sure all are included. **Contact your InFocus dealer immediately if anything is missing.**

If you are experienced in setting up presentation systems, use the *Quick Start* card that was included in the shipping box. For complete details on connecting and operating the projector, refer to this User's Guide. User's Guides are also available for download from our website at www.infocus.com.

A registration card is included in the box. Register to receive product updates, announcements, and special offers from InFocus. Or, register online at www.infocus.com/service/register and you will be automatically entered to win free merchandise.



NOTE: The projector automatically expands 640x480 images to 800x600. You can display these images at their native resolutions using the True feature. See "True" on page 25 for more information.

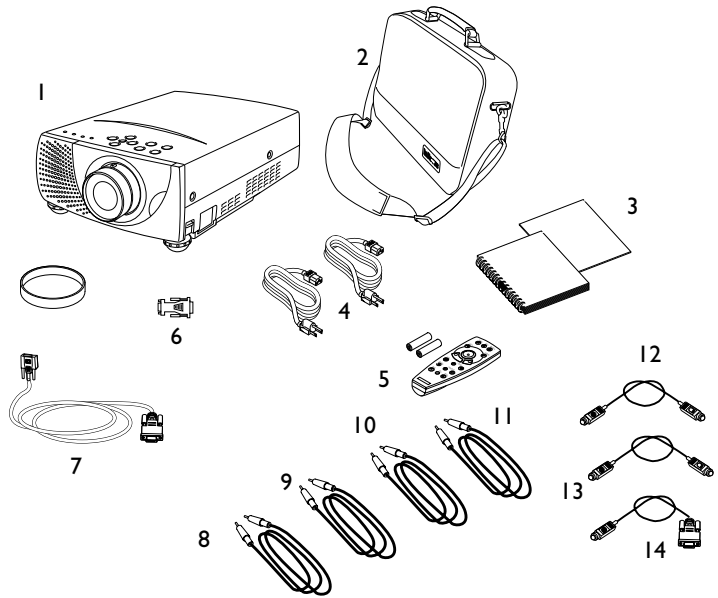


FIGURE I

Shipping box contents

- | | |
|--------------------------------------|-----------------------------------|
| 1. LP260 projector + lens cap | 7. VGA computer cable |
| 2. Soft carry case | 8. Computer audio cable |
| 3. User's Guide and quick start card | 9. AV Audio cable |
| 4. Power cords | 10. Composite video cable |
| 5. Remote control | 11. S-video cable |
| 6. Macintosh adapter | 12. Control cable for PS/2 port |
| | 13. Control cable for ADB port |
| | 14. Control cable for serial port |

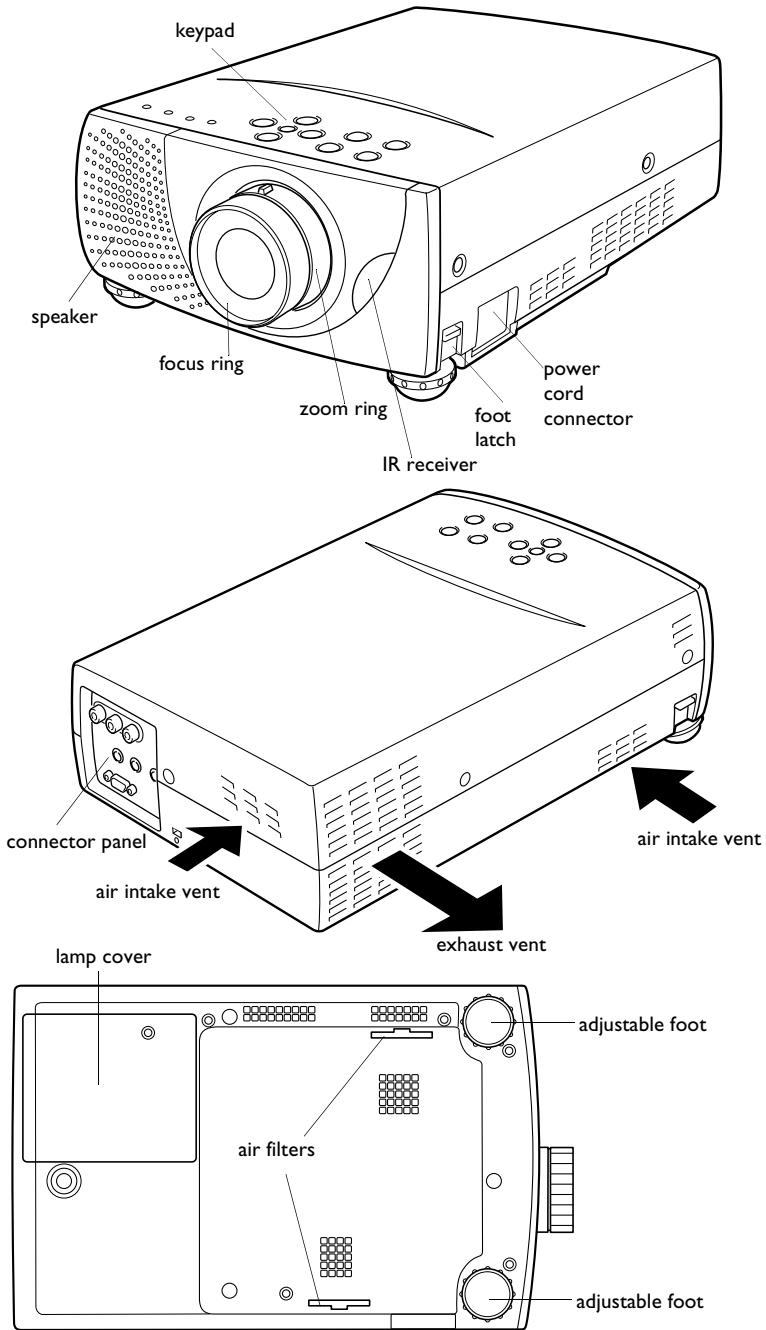


FIGURE 2

Views of the projector

Usage Guidelines

- Do not look directly into the projection lens when the lamp is turned on. The bright light may harm your eyes.
- Do not block the grills on the projector. Restricting the air flow can cause it to overheat and turn off. If this happens, you must wait a minute before attempting to turn it back on.
- Handle the projector as you would any product with glass components. Be especially careful not to drop it.
- Avoid leaving the projector in direct sunlight or extreme cold for extended periods of time. If this happens, allow it to reach room temperature before use.
- Transport the projector in a vendor-approved hard or soft case. Part numbers for these cases are listed on page 45.

If You Need Assistance

The first place to look for help is in this manual. Be sure to check the guidelines in “Troubleshooting” on page 39. Or, check the Service and Support section of our website at <http://www.infocus.com/service>. You’ll find a Technical Library, FAQs, and support contacts including a technical support e-mail form.

If those sources don’t answer your question, call your InFocus dealer. You can also call InFocus Customer Service directly at **1-800-799-9911**. Call between 6 a.m. and 6 p.m. PST, Monday through Friday. Service is available in North America after hours and on weekends for a fee at 1-888-592-6800.

In Europe, call InFocus in The Netherlands at **(31) 35-6474010**. In Asia, call InFocus in Singapore at **(65) 332-0659**.

Or, send us an e-mail at techsupport@infocus.com

Our World Wide Web address is <http://www.infocus.com>.

Warranty

This product is backed by a limited two-year warranty. The details of the warranty are printed at the back of this manual. A longer term warranty can be purchased from your InFocus dealer. Refer to page 45 for the part number.

SETTING UP THE PROJECTOR

- 1 Place the projector on a flat surface.
 - The projector must be within 10 feet (3 m) of your power source and within 6 feet (1.8 m) of your computer.
 - If you want to project from behind a translucent screen, set up the projector behind your screen. See “Rear” on page 33 to reverse the image.
- 2 Position the projector the desired distance from the screen.
 - The distance from the lens of the projector to the screen and the zoom setting determine the size of the projected image. Figure 3 and Table 1 show projected image sizes.

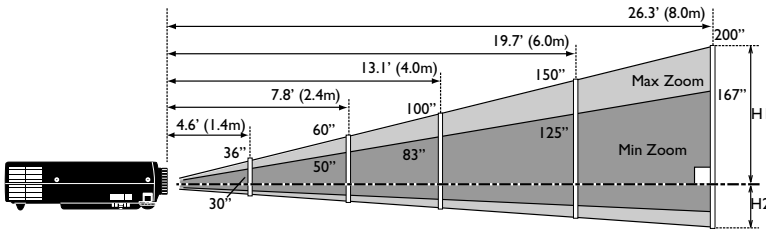


FIGURE 3

Projected image sizes

*Table 1:
Image Size, Width and Height*

Screen Size (W x H) mm	30"	60"	100"	150"	200"
Height (H1)	16.6" (422mm)	33.2" (844mm)	55.4" (1407mm)	83.1" (2110mm)	110.8" (2814mm)
Height (H2)	1.4" (35mm)	2.8" (70mm)	4.6" (117mm)	6.9" (176mm)	9.2" (234mm)

- 3 Make sure the projector and the computer are turned off.



NOTE: Before you continue, make sure the projector and all other equipment is turned off. If you're connecting a computer, make sure the distance between it and the projector is 6 feet or less.

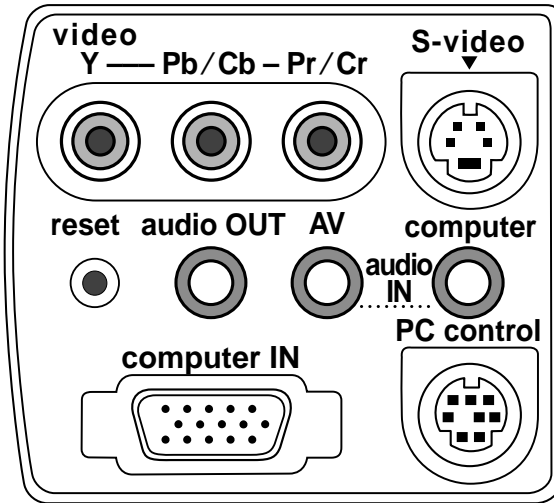


FIGURE 4
Connector panel



NOTE: Pressing the reset button with a pen causes the projector to shut down and restart. Only press this button if the projector has locked up.

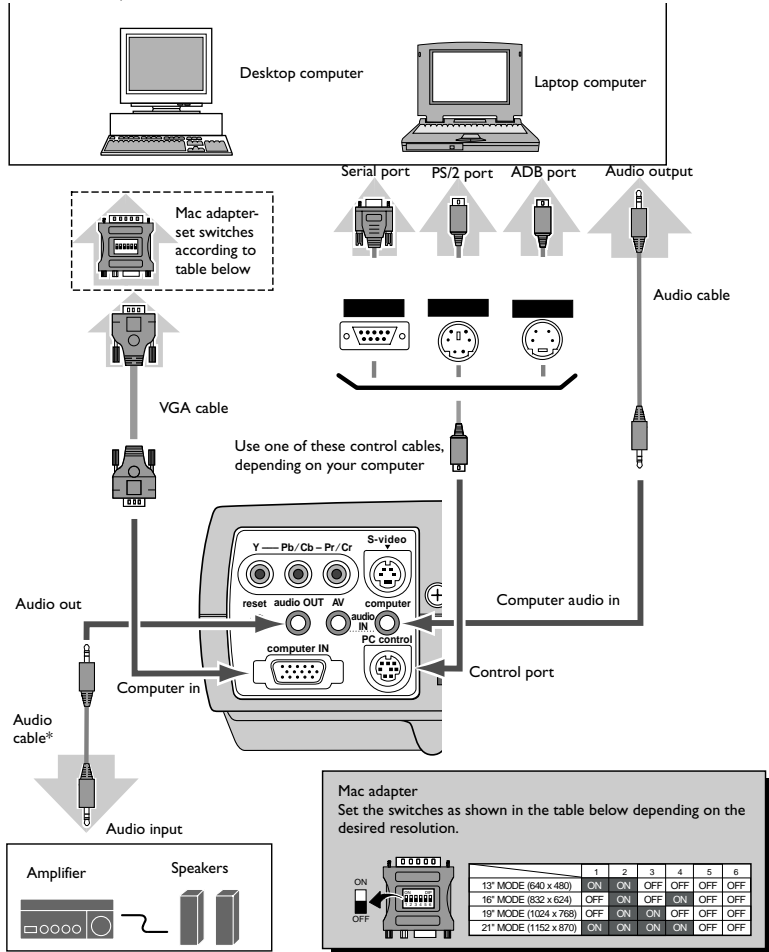


NOTE: In the following figures, an asterisk (*) indicates the cable is not supplied with the projector.

Connecting a Computer

The following cables can be used to connect a computer:

- VGA HD-15 cable (for all computers)
- Mac adapter (for certain Macintosh computers)
- PC audio cable (if you want sound with your presentations)
- Control cable for serial port/PS-2 port/ADB port (if you want to control your computer's mouse with the projector's remote)
- Audio cable (if you want to connect an external speaker, not included*)



NOTE: Many laptop computers do not automatically turn on their external video port when a secondary display device such as a projector is connected. Refer to your computer manual for the command that activates the external video port. Activation commands for some laptop computers are listed in the Appendix of this manual on page 46 and in the Service section of our website.

FIGURE 5

Connecting the projector to a computer

Now you're ready to power up the projector and your computer. Skip to "Powering up the Projector and Adjusting the Image" on page 9.



NOTE: HDTV sources must be connected to the projector using either the Y, Pb, Pr input or the computer IN input.

Connecting a Video Player

The following cables can be used to connect a video source:

- Composite video cable (RCA x 1)
- Component video cable (RCA x 3, not included*)
- S-video cable
- AV audio cable

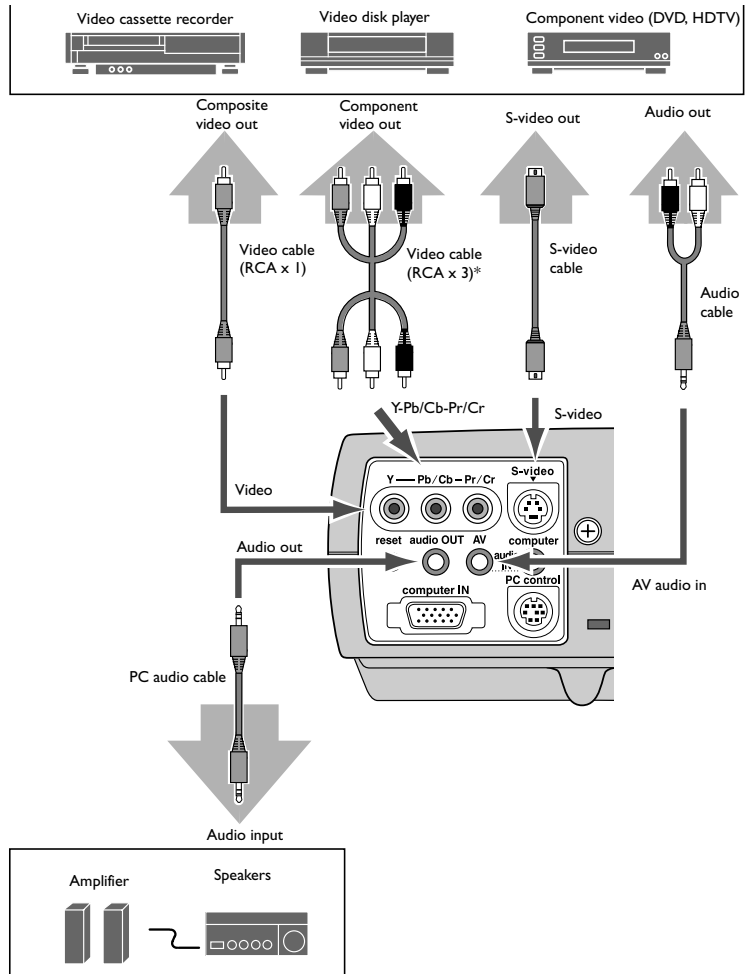
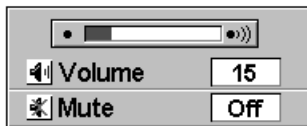


FIGURE 6
Connecting the projector to a video source

The projector is compatible with these major broadcast video standards: NTSC, NTSC 4.43, PAL, PAL-M, PAL-N, and SECAM. It automatically adjusts to optimize its performance for the incoming video.

Powering up the Projector and Adjusting the Image

- 1 Remove the lens cap.
- 2 Plug the power cord into the side of the projector, then plug it into your electrical outlet. A surge-protected power strip is recommended.
 - The Ready indicator on top of the projector lights green, indicating the projector is ready to be turned on, and the Lamp indicator lights red.
- 3 Press the **power** button on the top of the projector or on the remote.
 - The fans start to run, the Lamp indicator dims, and the Preparation screen appears. This screen counts down from 30 seconds, then the image from the active source appears.
- 4 If you connected a video player, turn it on.
 - The video image should display on the projection screen. If a computer source is active, press the **source** button on the keypad (page 16) or the **video** button on the remote to display your video image.
 - Use the **volume** buttons on the remote to adjust the volume. The volume dialog box, showing the current volume level and mute status, appears for 4 seconds.



NOTE: Always use the power cord that shipped with the projector.



NOTE: The first time you connect your computer to the projector, the computer may display a message stating that new hardware was found. The Add New Hardware Wizard may appear. Use the Wizard to load the correct driver (the computer considers the projector a Plug and Play Monitor).



NOTE: *With some computers, the order in which you power up the equipment is very important. Most computers should be turned on last, after all other peripherals have been turned on. Refer to your computer's documentation to determine the correct order.*

5 Turn on your computer.

- The computer image should display on the projection screen. If a video source is active, press the **source** button on the keypad or the **computer** button on the remote to display your computer's image. Make sure your laptop's external video port is activated; see "Portable and Laptop Activation Chart" on page 46 for details.
- If necessary, make adjustments to the image using the projector's on-screen menus. To open the menus, press the **menu** button on the keypad or remote, then select the desired menu. For more information about the menus, see page 17.

Turning Off the Projector

If you want to turn off the image for a short period of time, press the **Blank** button on the remote. This blanks the screen, but keeps the projector running. To exit Blank mode, press the **Blank** button again or any other function button.

To turn off the projector, press the **Power** button. The message "Power off?" appears on the screen. Press the **Power** button again to turn the projector off. The Lamp indicator lights, and the Ready indicator dims. The fans run for 90 seconds after the projector is turned off. When the projector has cooled, the Ready indicator lights green, indicating you can turn the projector back on if desired.



NOTE: *To maximize lamp life, allow the projector to run for at least five minutes before turning it off.*

USING THE PROJECTOR

This section describes how to use and make adjustments to the projector. It also provides a reference to the keypad and remote buttons and the options available from the on-screen menus.

Adjusting the Image

To focus the image, rotate the focus ring (Figure 7) until the image is clear. To zoom the image, rotate the zoom ring. This adjusts the image size without affecting focus. Turn the ring in the “Wide” direction to make the image larger and in the “Tele” direction to make the image smaller.

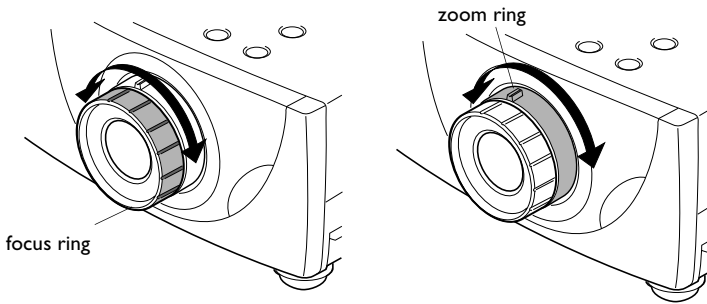


FIGURE 7

Focus ring and zoom ring

The projector is equipped with self-locking, quick-release elevator feet (Figure 8).

To raise the projector:

- 1 Lift the front of the projector and lift the feet lock latches on both sides of the projector (Figure 8).
- 2 Raise the projector to the height you want, then release the latches to lock the elevator feet into position. If necessary, turn the feet to fine tune the position and tilt.

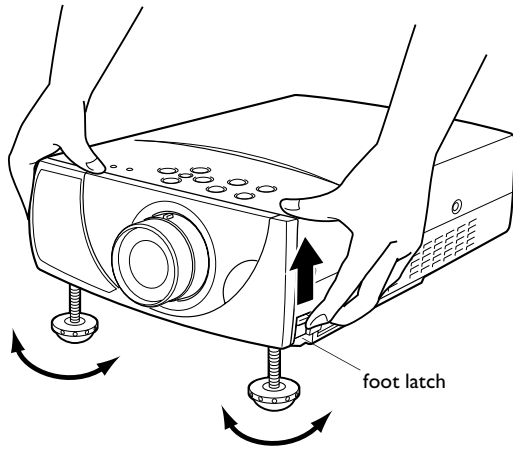


FIGURE 8

Adjusting the height of the projector

Keystone Adjustment

Use this feature to adjust the image vertically and make a squarer image.

- 1 Press the **keystone up/down** button on the remote or select Keystone in the Screen menu (see page 16 for details on the menu).
The message “Keystone” appears.
- 2 Press the **keystone up** button or the **point up** button to reduce the upper part of the image, and press the **keystone down** button or the **point down** button to reduce the lower part.

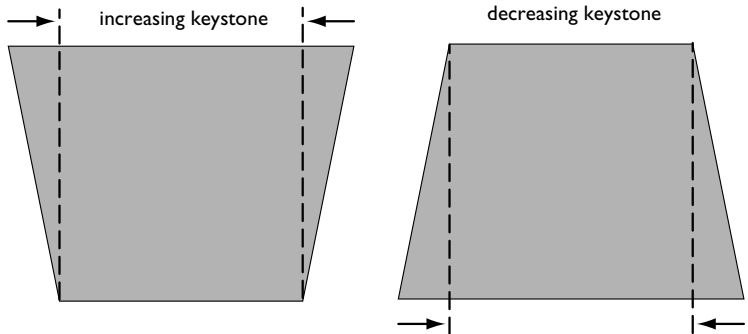


FIGURE 9

Adjusting the keystone

Using the Remote Control

To control the computer's mouse from the projector's remote or keypad, you must connect one of the Control cables to the computer. See page 7 for details.

Turn the remote on using the **on/off** button on the side of the remote. Point the remote control at the projection screen or at the front of the projector (not at the computer). The range for optimum operation is about 16 feet and 60 degrees from the front of the projector (see Figure 10). If you point the remote at the projection screen, the distance to the screen and back to the projector must be less than or equal to 16 feet. For best results, point the remote directly at the projector.

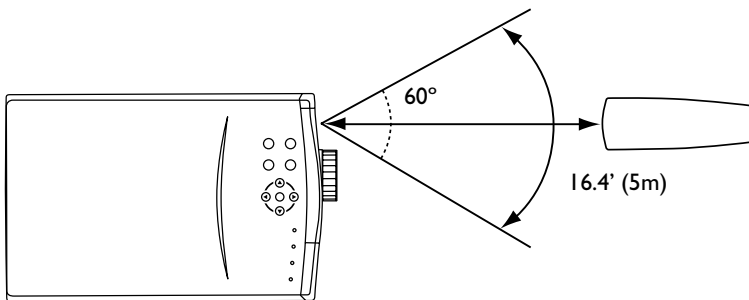


FIGURE 10

Remote range

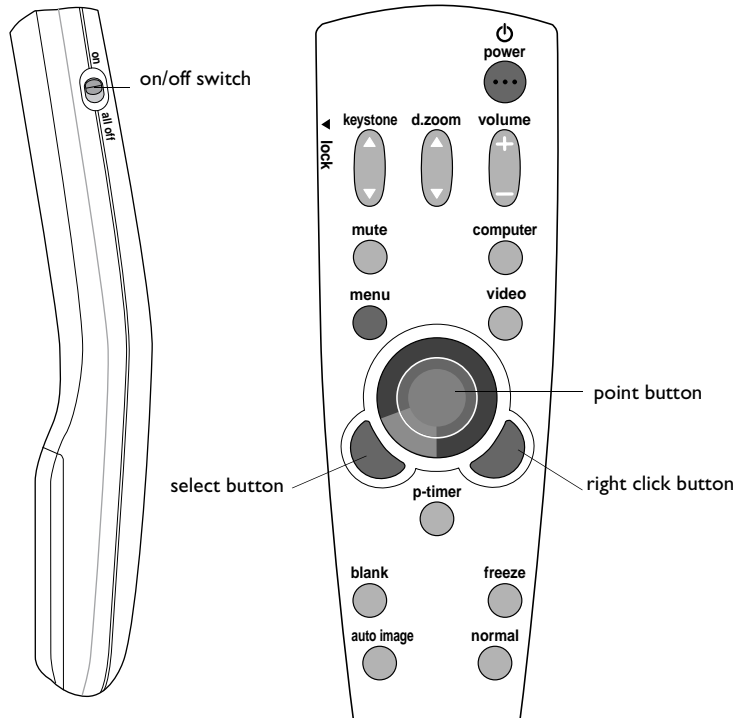


FIGURE 11

Remote control

Press anywhere on the edge of the **point** button to move the cursor on the screen. You can move the cursor at any angle by pressing the corresponding edge of the button. See “Using the Keypad and Remote Buttons” starting on page 15 for a description of the function buttons.

If you are creating presentations in Microsoft® PowerPoint®, you can use the remote’s **right click**, **select**, and **point** buttons to navigate through your presentation while in Slide Show mode. To configure PowerPoint for this, choose Options from the Tools menu, click the View Tab, de-select the “Popup Menu on Right Mouse Click” option in the Slide Show section, then click OK. Then, when you’re in PowerPoint’s Slide Show mode, a left click advances to the next slide and a right click returns to the previous slide (other PowerPoint modes are not affected).

Using the Keypad and Remote Buttons

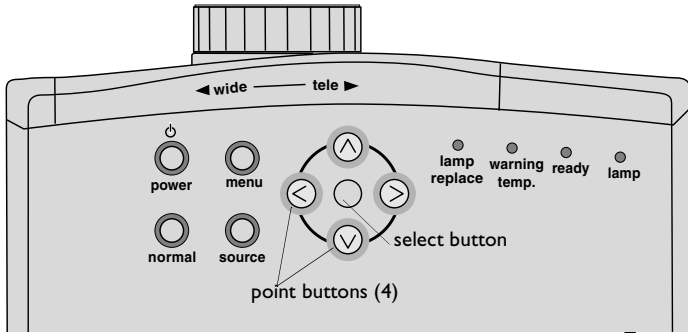


FIGURE 12

Keypad buttons

Point button (1 button on remote, 4 buttons on keypad)

Press this button to navigate in the menus, make adjustments to menu items, or pan the image in Digital Zoom mode. When you press the center of this button on the remote, it works like the **select** button.

Select button

Use the **select** button to confirm a selection in the menus. See “Using the On-Screen Menus” on page 17.

Power

Press this to turn the projector on and off. See page 9 for the power-up sequence and page 10 for the power off sequence.

Menu

Press the **menu** button to open the on-screen menus. Press **menu** again to close the menus. For more information about the on-screen menus, see page 17.

Normal

This feature restores the projector’s factory set, default settings. It affects all the parameters in the Image menu except horizontal size and fine sync.

Source (keypad only) or Computer and Video (remote only)

When you have more than one source (computer and video) connected to the projector, select between them by pressing the **source** button on the keypad or the **computer** or **video** button on the remote.

Keystone

Use this button to adjust the keystone distortion. See page 12 for details.

d. zoom (digital zoom)

This allows you to zoom a computer image. See page 25 for details.

Volume

To increase the volume, press **volume +**. To decrease the volume, press **volume -**.

Mute

Press **mute** to mute the sound. To restore the sound to its previous level, press the **mute** button again or the **volume +/-** button.

P-timer button

This feature allows you to set a timer. Press the **p-timer** button to display and start the timer. Press it again to stop the timer. Press it again to remove the timer from the display.

Blank

When you press **blank**, the display and audio turn off and a blank screen is displayed until you press the **blank** button again or any function button.

Freeze

Press the **freeze** button to freeze the image on the screen. To unfreeze the image, press the **freeze** button again or any function button.

Auto Image

Press this button to automatically adjust the image. See page 23 for details.

Right Click

Use this button to compress the image in Digital Zoom mode (see page 25).

Using the On-Screen Menus

The projector has menus that allow you to make image adjustments and change a variety of settings. Most of these adjustments aren't available directly from the keypad.

To open the on-screen menus, press the **menu** button on the remote or keypad. A red frame appears around the selected menu. Use the **point** buttons on the remote or keypad to move the cursor left and right. To select an item, press the **select** button on the remote or keypad.



NOTE: Some menu items may be grayed out (dimmed) at certain times. This indicates the item is not applicable to your setup or the item is not enabled until another selection is made.

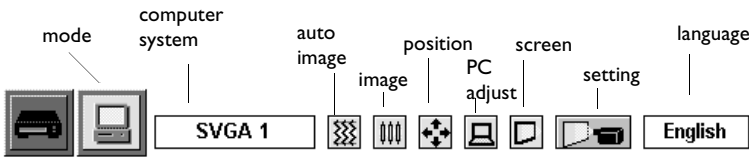


FIGURE 13

Computer menus

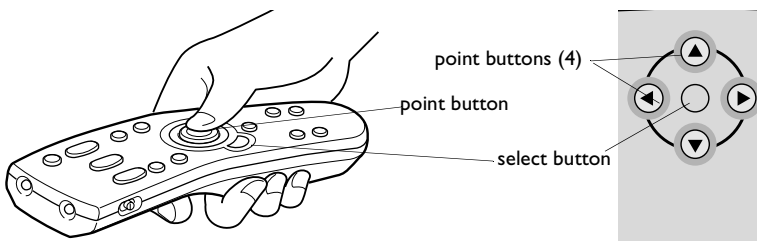


FIGURE 14

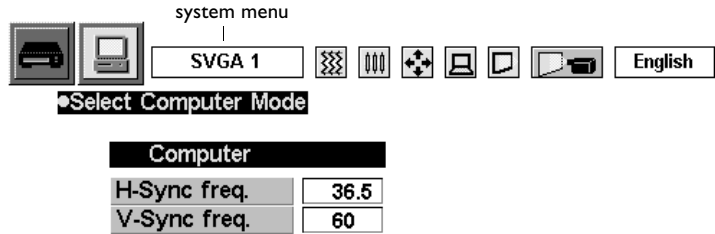
Keypad and remote navigation and selection buttons

To change a menu setting, use the up and down **point** buttons to move the cursor up and down to the item you want to change (the pointer changes to a red arrow), then use the left and right **point** buttons or the **select** buttons to adjust a setting. All changes are saved when you close the menus.

To access another menu, use the up **point** button to return to the menu bar, then use the right and left **point** buttons to move to the desired menu (you may need to Quit out of a menu before navigating to the top menu.)

Computer Adjustments

Select Computer mode by pressing the **source** button on the keypad, pressing the **computer** button on the remote, or clicking the Computer icon in the menu. When you select Computer, the current mode display appears, showing details of the connected computer.

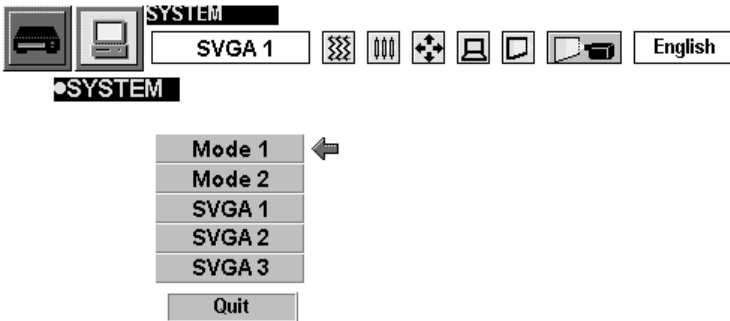


System Menu

The projector automatically adjusts to most incoming computer signals and projects the image without any user interaction. If a problem is encountered, the message “Go to PC adj.” may appear and the settings must be input manually. If the message “No signal” appears, verify the connections between the projector and the computer. See Troubleshooting on page 39 for more information.

To select the computer system manually:

- I Select the System menu (see “Using the On-Screen Menus” on page 17 for menu navigation details).
The “System” menu appears.

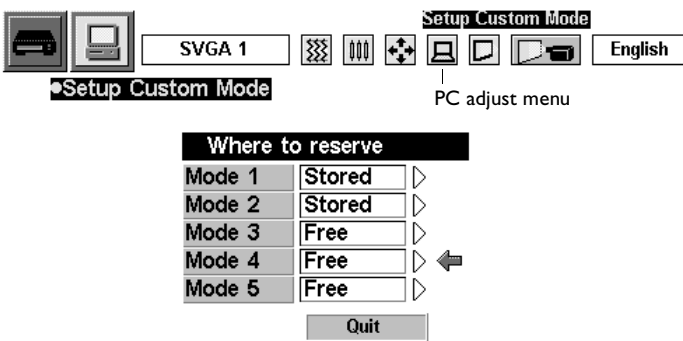


- 2 Press the **point down** button, move the arrow to the system you want to select, then press the **select** button.
These systems are set up using the PC Adjustment menu.

PC Adjustment

The projector automatically adjusts to most incoming computer signals and projects the image without any user interaction. However, some computers employ unique signal formats that the projector cannot handle properly. These images may flicker or appear non-synchronized. The PC adjustment feature allows you to specify parameters to match the unique signal formats and save and restore five different unique settings.

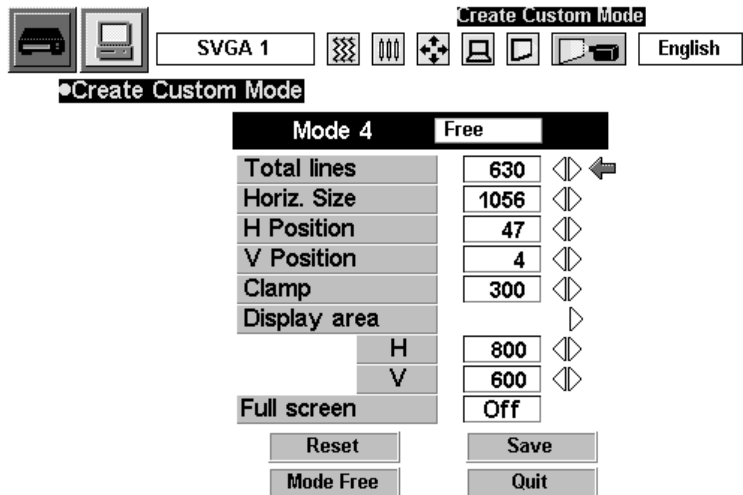
- 1 Select the PC Adjust menu.
The “Where to reserve” menu appears.



- 2 Select where to save the settings. “Free” indicates no settings have been saved; “Stored” indicates settings have been saved.
The “Parameter adjustment” menu appears.



NOTE: This feature is not available when RGB, HDTV1035i, or HDTV1080i is selected in the System menu.



- 3 Move to the parameter you want to change using the **point up/down** buttons, and adjust each setting using the **point right/left** buttons.
- 4 Navigate to “Save” and press the **select** button.
The parameter is memorized in the selected mode.
- 5 To activate the mode, select it in the System Select menu (see “System Menu” on page 18.)

Total Lines

The number of vertical lines.

Horiz. Size

The number of dots in one horizontal period.

H Position/V Position

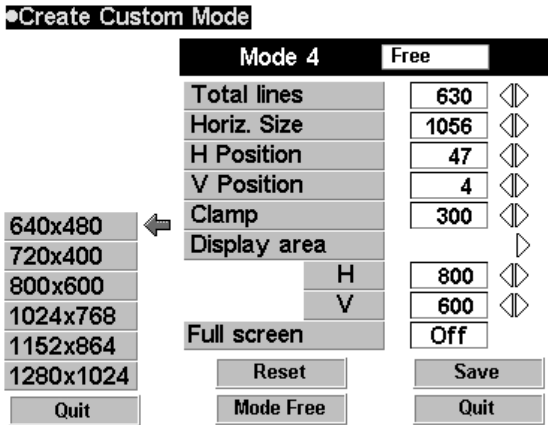
The left/right and up/down position of the image.

Clamp

The clamp level. If the image has dark bars, use this adjustment.

Display area

The area displayed by the projector. Point the arrow at the Display area option and press the **select** button to open a dialog box where you can select the resolution from a list, or adjust the value with the left and right **point** buttons.



Full Screen

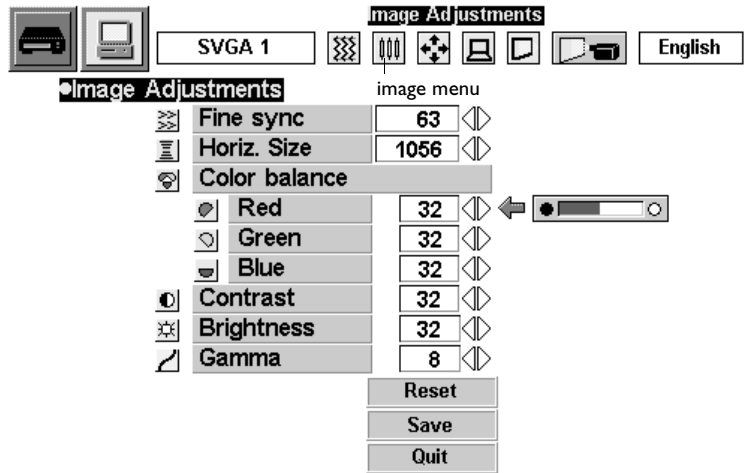
Select On to resize the image with a 4x3 aspect ratio.

After adjusting the settings, press Save to save the settings, press Reset to recall the saved settings, press Mode Free to clear the previously saved settings, and press Quit to close the menu.

Image Menu

The Image menu allows you to manually adjust the image.

- I Select the Image menu.
The “Image Adjustments” menu appears.



Fine sync

Adjust the sync as necessary from 0 to 255 to eliminate flicker in the image.

Horiz. Size

Press the **point** buttons to adjust the number of dots in one horizontal period.

Color Balance (Red, Green, Blue)

Press the **point left** button to lighten the color and the **point right** button to deepen the color from 0 to 63.

Contrast

Press the **point left** button to decrease the contrast and the **point right** button to increase the contrast from 0 to 63.

Brightness

Press the **point left** button to darken the image and the **point right** button to lighten the image from 0 to 63.

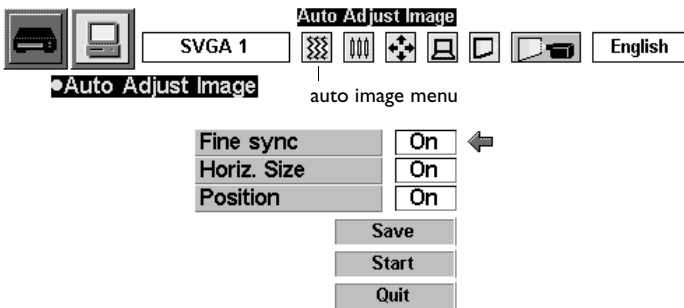
Gamma

Press the **point left** or **right** button to obtain better contrast from 0 to 16.

Auto Image menu

Auto image automatically adjusts fine sync, total dots, and image position for most computers. You can turn these automatic adjustments off and set these parameters manually, if desired.

- 1 Select Auto Image in the menu.
The "Auto Adjust Image" menu appears.



- 2 Move the arrow to the desired parameter using the up and down **point** buttons.
- 3 Press **select** to turn the automatic adjustments on and off.

Fine sync and Horiz. Size

See page 22 for instructions on setting these manually.

Position

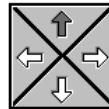
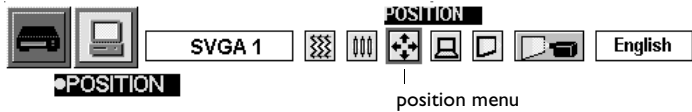
See the following section for instructions on setting this manually.

Press Save to store the on/off settings, press Start to start Auto Image adjustments, and press Quit to exit this menu.

Position menu

You can move the image up, down, left and right using this menu.

- 1 Select the Position menu.
The "Position" menu appears.



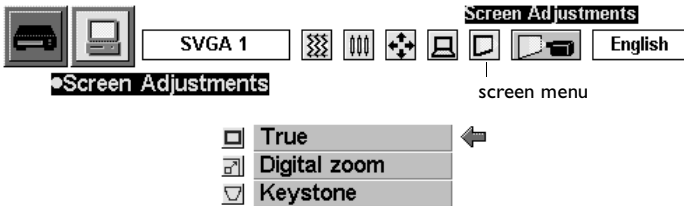
- 2 Use the **point** buttons to adjust the position.

Press the **select** button to chose a position. To cancel this adjustment, press any button except the **point** buttons.

Screen menu

- 1 Select the Screen menu.

The “Screen Adjustments” menu appears.



- 2 Move the cursor to the desired feature.

True

Select True to display the image in its original size. If the original size is larger than 800x600, the projector enters Digital Zoom automatically.

Keystone

Select Keystone to adjust the image vertically and make a squarer image. The menus disappear and the message “Keystone” appears. Adjust the keystone using the **keystone up/down** buttons on the remote or the **point up/down** buttons on the keypad. See page 12 for details.

Digital Zoom

To adjust the image size or pan a computer image, select Digital Zoom. The menus disappear and the message “D.Zoom” appears. The projector also enters digital zoom mode when the **d.zoom** button on the remote is pressed.

To expand the image size, press the **d.zoom up** button or the **select** button. The image is magnified by degrees.

To compress the image size, press the **d.zoom down** button or the **right click** button. The image is reduced by degrees.

To pan the image, press the **point up/down/left/right** buttons. Panning only works when the image is larger than the screen size.

To exit digital zoom mode, press any button except **d.zoom**, **select**, **right click**, or **point**. To display the image at 800x600, press the **normal** button on the remote.



NOTE: True and Digital Zoom are not available when RGB, HDTV1035i, or HDTV1080i is selected in the System menu.



NOTE: Images not in the projector's native resolution of SVGA 800x600 are automatically modified to fit the screen in the initial mode.



NOTE: Panning may not function if the incoming signals have been modified in the “PC Adjust” menu.

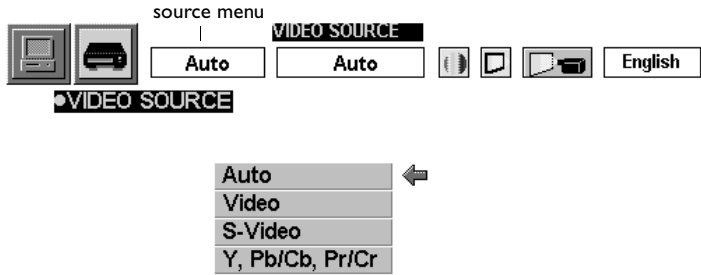
Video Adjustments

Select Video mode by pressing the **source** button on the keypad, pressing the **video** button on the remote, or clicking the video icon in the menu.

Video Source menu

The projector automatically detects the signal from any connected video sources. If more than one source is connected, use the Video Source menu to select the desired one.

- 1 Press the **menu** button, navigate to the Video Source menu, then press the **select** button.
The "Video Source" menu appears.



- 2 Press the **point down** button and position the red arrow by the desired source.

Auto

In this mode, the projector automatically detects the incoming video source and adjusts itself to optimize performance.

Video/S-Video/Y, Pb/Cb/Cr

When more than one video source is connected and the projector cannot select the proper video source, select the desired source in the menu.

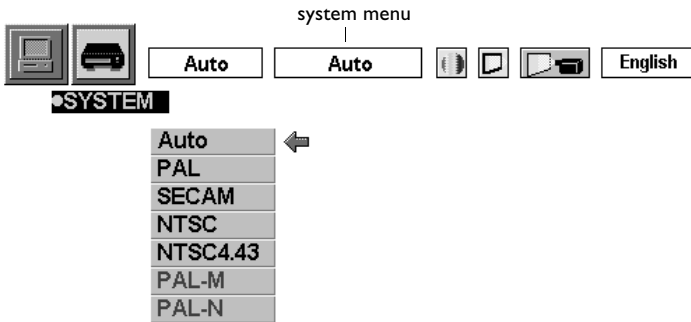


NOTE: When both the Video and S-Video jacks are connected, the S-video jack input is displayed. When both the Y-Pb/Cb-Pr/Cr and S-Video jacks are connected, the Y-Pb/Cb-Pr/Cr jack input is displayed.

Video System menu

- 1 Press the **menu** button, navigate to the System menu, then press the **select** button.

The “Video System” menu appears.



- 2 Press the **point down** button and position the red arrow by the desired source.

When the video signal is from the Video or S-Video jack:

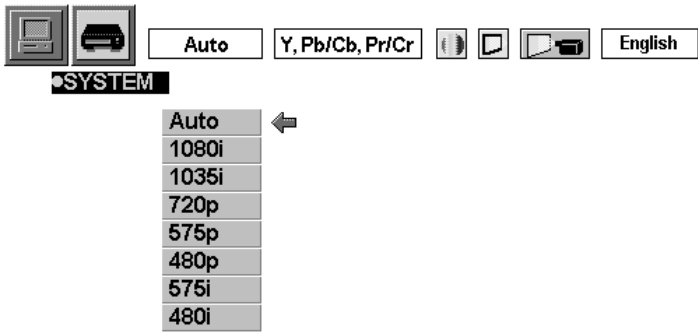
Auto

In this mode, the projector automatically detects the incoming video source and adjusts itself to optimize performance. When the video system is PAL-M or PAL-N, select the system manually.

PAL/SECAM/NTSC/NTSC4.43/PAL-M/PAL-N

If the projector can't display the proper video signal, select the broadcast signal format from the menu.

When the video signal is from the Y, Pb/Cb, Pr/Cr jacks:



Auto

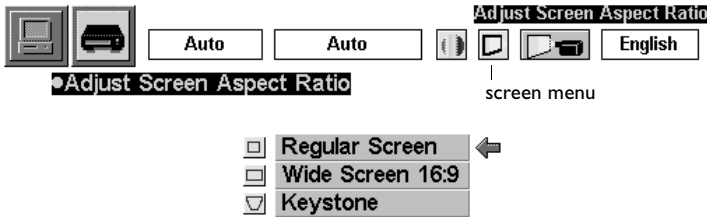
In this mode, the projector automatically detects the incoming video source and adjusts itself to optimize performance.

Component Video Signal Format

If the projector can't display the proper video signal, select the component signal format from the menu.

Screen menu

- 1 Press the **menu** button, navigate to the Screen menu, then press the **select** button.
The "Video Screen" menu appears.



- 2 Press the **point down** button and position the red arrow by the desired option.

Regular Screen

Normal video image size with 4x3 aspect ratio.

Wide Screen

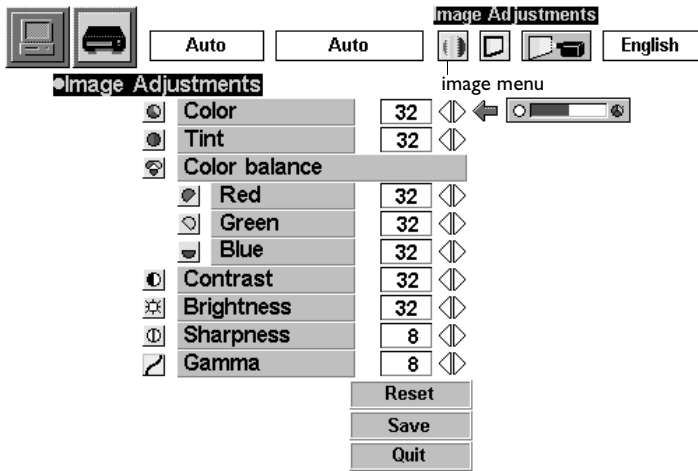
Resizes the image for wide screen size with 16x9 aspect ratio.

Keystone

This option helps to keep the image square as the angle of projection is changed. When you select Keystone, the menus disappear and the message "Keystone" appears. Adjust the keystone using the **keystone up/down** buttons on the remote or the **point up/down** buttons on the keypad. See page 12 for details.

Image Menu

- 1 Press the **menu** button, navigate to the Image menu, then press the **select** button.
The “Image Adjustments” menu appears.



- 2 Press the **point down** button and position the red arrow by the parameter you want to adjust. To change a value, press the **point left** or **point right** button.

Color

The color setting adjusts a video image from black and white to fully saturated color. Press the **point left** button to decrease the amount of color in the image, press the **point right** button to increase the amount of color in the image.

Tint

The tint adjusts the purple-green color balance in the projected image. Press the **point left** button to increase the amount of purple in the image, press the **point right** button to increase the amount of green in the image.

Color Balance (Red/Green/Blue)

Press the **point left** button to lighten the color, press the **point right** button to deepen the color.

Contrast

The contrast controls the degree of difference between the lightest and darkest parts of the picture. Adjusting the contrast changes the amount of black and white in the image. Press the **point left** button to decrease the contrast, press the **point right** button to increase the contrast, making the blacks appear blacker and the whites appear whiter.

Brightness

Adjusting the brightness changes the intensity of the image. Press the **point left** button to darken the image, press the **point right** button to lighten the image.

Sharpness

This setting adjusts the sharpness of a video image. Press the **point left** button to decrease the sharpness, press the **point right** button to increase the sharpness.

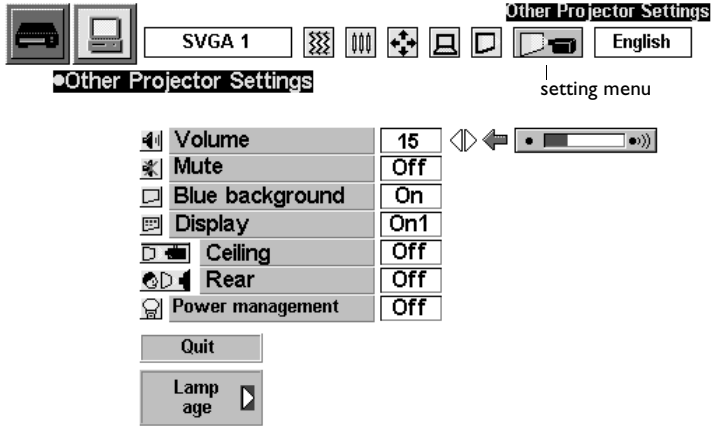
Gamma

Press either the **point left** or **right** button to obtain better balance of contrast.

Press Save to store the settings, press Reset to restore the previous settings, and press Quit to exit this menu.

Setting menu

- 1 Press the **menu** button, navigate to the Setting menu, then press the **select** button.
The “Other Projector Setting” menu appears.



- 2 Press the **point down** button and position the red arrow by the parameter you want to adjust. To change a value, press the **point left** or **point right** button. To turn a setting on and off, press the **select** button.



NOTE: Changing the volume using the menu is the same as changing it using the remote.

Volume

Press the **point left** button to decrease the volume, press the **point right** button to increase the volume.

Mute

Set to “On” to mute the sound. To restore the sound to its previous level, set “Off” or press the **mute** button or the **volume +/-** button on the remote.

Blue Background

When this feature is “On”, the projector produces a blue image when the input source is unplugged or turned off.

Display

This feature allows you to turn the on-screen displays on and off. Select "On1" to show all displays, select "On2" to show all displays except the Preparation screen, select "Off" to turn off all displays.

Ceiling

When you turn Ceiling on, the projector turns the image upside down for ceiling-mounted projection.

Rear

When you turn Rear on, the projector reverses the image so you can project from behind a translucent screen.

Power Management

This feature preserves lamp life by automatically turning the lamp off after no signal has been detected for five minutes.

- 1 When the input signal is interrupted, the message "No signal" appears with a counter that starts at 5 and counts down to 0.
- 2 After the counter reaches 0, the lamp is turned off, the Ready indicator turns off, and the fans run for 90 seconds. During this cool down time, the lamp cannot be turned on.
- 3 After 90 seconds, the Ready indicator blinks and the lamp can be turned back on.
The lamp is automatically turned on when the input signal is re-connected or any button on the remote or keypad is pressed.

Lamp Age

This allows you to reset the lamp monitor replacement timer. See page 38 for details.

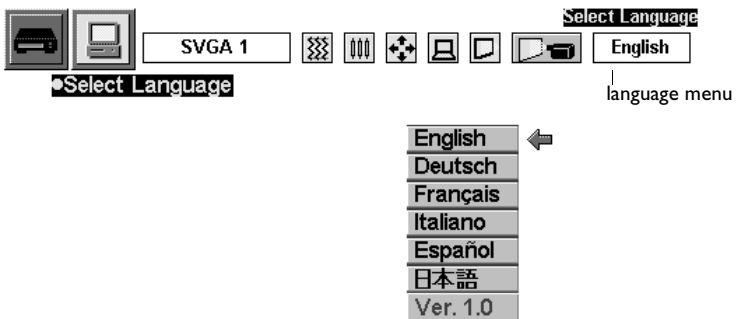


.....
NOTE: *The Power Management feature is On by default.*

Language menu

You can display the on-screen menus in English, French, German, Spanish, Italian, or Japanese.

- 1 Press the **menu** button, navigate to the Language menu, then press the **select** button.
The “Select Language” menu appears.



- 2 Press the **point down** button and position the red arrow by the desired language, then press the **select** button.

MAINTENANCE & TROUBLESHOOTING

This section describes how to:

- clean the lens
- clean the air filter
- replace the projection lamp
- replace the batteries in the remote
- troubleshoot the projector

Cleaning the Lens

Follow these steps to clean the projection lens:

- 1 Apply a non-abrasive camera lens cleaner to a soft, dry cloth.
 - Avoid using an excessive amount of cleaner, and don't apply the cleaner directly to the lens.
 - Abrasive cleaners, solvents or other harsh chemicals might scratch the lens.
- 2 Lightly wipe the cleaning cloth over the lens in a circular motion.
- 3 If you don't intend to use the projector immediately, replace the lens cap.

Cleaning the Fan Intake Filters

The fan intake filters on the bottom of the projector catch dust and particles in the air. If the filters become clogged, the projector does not cool properly and may malfunction. To prevent this, clean the filters after every 100 hours of use.

- 1 Turn off the projector and unplug the power cord.
- 2 Turn the projector upside down and remove the two filters by pulling the latches up.

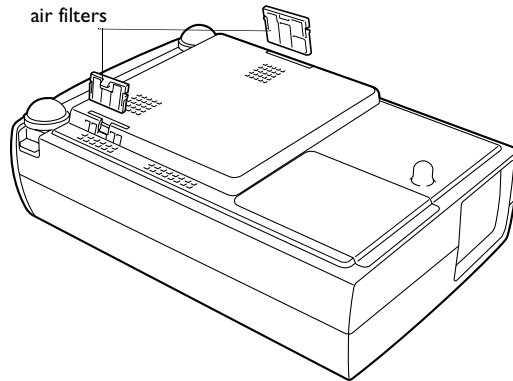


FIGURE 15

Removing the air filters

- 3** Clean the filters with a brush.
- 4** Replace the filters, being sure they are fully inserted.

Replacing the Projection Lamp

The Lamp Replacement indicator lights yellow when the lamp needs to be replaced. You can order new lamp modules from your InFocus dealer. See “Accessories” on page 44 for information.

Follow these steps to replace the projection lamp:

- 1** Turn off the projector and unplug the power cord.
- 2** Wait 45 minutes to allow the projector to cool thoroughly.
- 3** Invert the projector on a soft flat surface, then remove the screw on the lamp cover and lift the cover off.



.....
WARNING: To avoid burns, allow the projector to cool for at least 45 minutes before you open the lamp module door. Never extract the lamp module while the projector is operating.

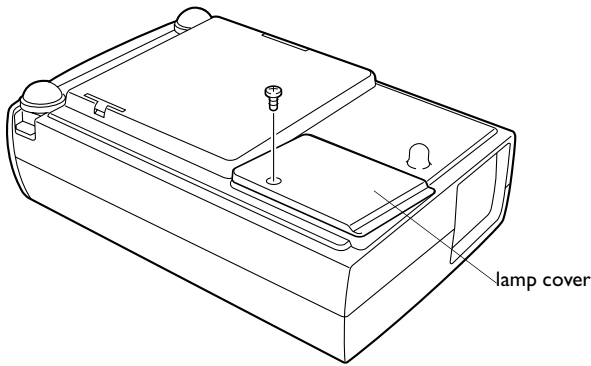


FIGURE 16

Removing the lamp cover

- 4 Remove the two screws on the outside of the module, then grasp the handle and pull the module out (Figure 17). Dispose of the lamp module in an environmentally proper manner.

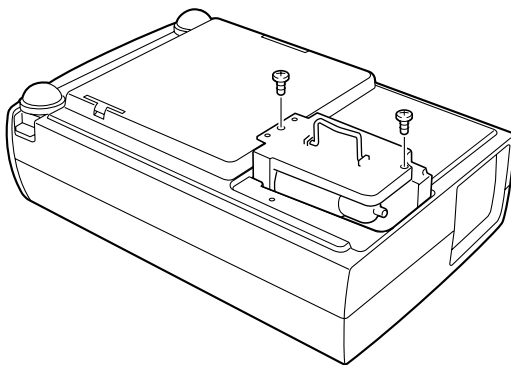


FIGURE 17

Removing the lamp module



WARNING: Be extremely careful when removing the lamp module. In the unlikely event that the bulb ruptures, small glass fragments may be generated. The lamp module is designed to contain these fragments, but use caution when removing the lamp module.



CAUTION: Never operate the projector with the lamp door open or removed. This disrupts the air flow and causes the projector to overheat.



.....

WARNING: Do not drop the lamp module or touch the glass bulb! The glass may shatter and cause injury.

- 5 Install the new lamp module.
- 6 Tighten the screws on the outside of the module.
- 7 Replace the lamp door and the screw.
- 8 Plug in the power cord and press the **power** button to turn the projector back on.
- 9 To reset the lamp replacement monitor timer, press the **menu** button, select the Setting menu, then navigate to the Lamp Age option. Press the **select** button, and the message “Lamp replace monitor reset” appears. Select Yes to reset the timer. See “Using the On-Screen Menus” on page 17 for details menu navigation.

Replacing the Batteries in the Remote Control

The life of the batteries depends on how often and how long you use the remote. Symptoms of low battery charge include erratic responses when using the remote and a reduced range of operation.

Follow these steps to replace the batteries:

- 1 Turn the remote face down in your hand.
- 2 Slide the battery cover off the end of the remote.
- 3 Remove the old batteries and dispose of them in an environmentally proper manner.
- 4 Install two new AA alkaline batteries. Make sure you install each in the correct direction.
- 5 Slide the battery cover back on the remote.

Troubleshooting

Problem: The projector is not running

- Make sure that the power cord is properly connected to a fully functional AC electrical outlet. Make sure that the power cord is also properly connected to the projector.
- If the projector is plugged into a power strip, make sure the power strip is turned on.
- Make sure the projector is turned on.

Problem: Projector is running, but nothing appears on projection screen

- Make sure you have removed the lens cap on the projection lens at the front of the projector.
- Check the projector's lamp to ensure that it is securely connected in the lamp module. Make sure the lamp cover is installed. See "Replacing the Projection Lamp" on page 36.

Problem: Only the start-up screen displays

- Verify that the cables are connected correctly. See page 7 and page 8 for connection procedures.
- Make sure that the cables do not have any bent pins.
- Verify that the proper input source is connected. See "Source (keypad only) or Computer and Video (remote only)" on page 16.
- You might need to turn everything off and power up the equipment again in the proper order. Refer to your computer's documentation to determine the correct order.
- Make sure your laptop's external video port is turned on. See the "Portable and Laptop Activation Chart" on page 46 or your computer's manual for details.
- Make sure your computer's video board is installed and configured correctly.
- Make sure your computer has a compatible video board. The projector isn't CGA or EGA compatible.

If you're using Windows 98:

- 1 Open "My Computer" icon, the Control Panel folder and then the Display icon.
- 2 Click the Settings tab.
- 3 Verify that the Desktop area is set to 1280x1024 or less.

Problem: Color or text not being projected

- You might need to adjust the brightness up or down until the text is visible. Refer to "Brightness" on page 22 for more information.

Problem: The screen resolution is not right

- Make sure the computer's video card is set for a resolution of no greater than 1280x1024.

Problem: Image isn't centered on the screen

- Move the projector to reposition the image.
- Reposition the image using the menu. Refer to "H Position/V Position" on page 20.
- Be sure the projector is at a 90 degree angle to the screen.

Problem: Image is too wide or narrow for screen

- Adjust the zoom or projector placement.
- Adjust the resolution of your video card if it's greater than 1280x1024.

Problem: Image is out of focus

- Turn the projection lens to focus the image.
- Make sure the projection screen is at least 4.6 feet (1.8 m) from the projector.
- Check the projection lens to see if it needs cleaning.

Problem: Image and menus are reversed left to right

- Rear projection mode is probably turned on. Turn Rear off in the Screen menu. The image should immediately return to forward projection. See "Rear" on page 33.

Problem: the projector displays vertical lines, “bleeding” or spots

- Adjust the brightness. See “Brightness” on page 22.
- Check the projection lens to see if it needs cleaning.

Problem: no sound

- Adjust volume.
- Verify audio/input connections.
- Adjust audio source.

Problem: Image is “noisy” or streaked

Try these steps in this order.

- 1 Deactivate the screen saver on your computer.
 - 2 Adjust the synchronization manually to find an optimal setting. See “Fine sync” on page 22.
- The problem could be with your computer’s video card. If possible, connect a different computer.

Problem: Projected colors don’t match the computer or video player’s colors

- Just as there are differences in the displays of different monitors, there are often differences between the computer image and the projected image. Adjust the brightness, tint and/or contrast from the Display menu. See “Brightness” on page 22, “Tint” on page 30 and “Contrast” on page 31.

Problem: Lamp seems to be getting dimmer

- The lamp begins to lose brightness when it has been in use for a long time. Replace the lamp as described in “Replacing the Projection Lamp” on page 36.

Problem: Lamp shuts off

- A minor power surge may cause the lamp to shut off. Unplug the projector, wait at least a minute, then plug it back in.
- Make sure the vents are not blocked.

The most current troubleshooting information can be found in the Service and Support section of our website at <http://www.infocus.com/service>. You'll also find a Technical Library, FAQs, and support contacts including a technical support e-mail form.

Before calling your dealer or InFocus Technical Support for assistance, please have the following information available:

- the projector's serial number (located on the projector's label)
- the resolution of your computer.

Call InFocus Technical Support at **1-800-799-9911** between 6 a.m. and 6 p.m. PST, Monday through Friday. Service is available in North America after hours and on weekends for a fee at 1-888-592-6800.

In Europe, call InFocus in The Netherlands at **(31) 35-6474010** between 8 a.m. and 6 p.m. Central European Time.

In Asia, call **(65) 332-0659** between 9:30 a.m. and 5:30 p.m.

Or, send us an e-mail at techsupport@infocus.com

APPENDIX

Specifications

The projector must be operated and stored within the temperature and humidity ranges specified.

Temperature

Operating	41 to 95° F (5 to 35° C)
Non-operating	14 to 140° F (-10 to 60° C)

Humidity

Operating and non-oper.	80% relative humidity, non-condensing
-------------------------	---------------------------------------

Dimensions

7.4 x 2.9 x 11.4 inches (18.9 x 7.5 x 29.0 cm)

Weight

5.5 lbs. (2.5 kg) unpacked

Altitude

Operating	0 to 7,500 feet (2,286 meters)
-----------	--------------------------------

Optics

Focus Range	4.6 - 26 feet (1.4-8 m)
-------------	-------------------------

Lamp

Type	120-watt or 132-watt UHP lamp
------	-------------------------------

Input Power Requirements

100-120VAC 2.2A; 50/60Hz
200-240VAC 1.1A; 50/60Hz

Accessories

Standard Accessories (ship with the projector)	Part Number
Quick Start Card	009-0550-xx
User's Guide	010-0262-xx
Soft Case	110-0362-00
Shipping Box	110-0365-xx
Power Cord (North American)	210-0195-xx
Power Cord (European)	210-0196-xx
VGA computer cable	210-0200-xx
Composite Video Cable	210-0197-xx
Computer Audio Cable	210-0194-xx
AV Audio Cable	210-0198-xx
S-video Cable	210-0199-xx
Control Cable for PS/2 Port	210-0202-xx
Control Cable for ADB Port	210-0201-xx
Control Cable for Serial Port	210-0203-xx
Macintosh Adapter	515-0052-xx
Remote Control	590-0381-xx
Batteries for Remote Control	521-0021-xx
Projection Lamp Module	SP-LAMP-LP260
Lens Cap	340-0836-xx



NOTE: Use only InFocus-approved accessories. Other products have not been tested with the projector.



NOTE: You can purchase these items by contacting your dealer or InFocus Catalog Sales at 1-800-660-0024.

Optional Accessories

Deluxe Carry Case	CA-CI61
Executive Leather Case	CA-CI33
Shipping Case (ATA approved)	CA-ATA-260
Deluxe Travel Case	CA-CI60
Hard Travel Porter Case	CA-CI42
15' Mac Extension Cable	SP-MAC15
15' VGA Extension Cable	SP-VGA15
Audio/Video Cable	SP-AV30
GyroMouse Pro RF Remote Control	HW-RF-GPRO
RemotePoint RF Remote Control w Laser Pointer	HW-RF-REMLSR
GyroMouse Presenter RF Remote Control	HW-RF-GPRES
Executive Remote IR Receiver	HW-EXRCVR
PC Guardian Projector Cable Lock	SP-LOCK
40" Portable Projection Screen	HW-PORTSCR40
50" Portable Projection Screen	HW-PORTSCR50
60" Deluxe Insta-Theatre Screen	HW-DLXSCRN
84" Pull Down Screen	HW-WALLSCR84
Deluxe Wheeled Projector and Computer Cart	HW-CART
Portable Projector Stand	SP-STND
eBeam (Web Enabled Electronic Meeting Assistant)	HW-EBEAM
3 rd Year Advantage Service Plan (1 year extension)	EW-LP26x-12



NOTE: Visit our website at www.infocus.com for the most current activation chart. It is located in the Technical Library in the Service and Support section.



NOTE: Usually, pressing the key commands once activates the external video port, pressing it again activates both the external and internal ports, and pressing it a third time activates the internal port. Refer to your computer's documentation for details on your specific model.

Portable and Laptop Activation Chart

Many laptop computers do not automatically turn on their external video port when a projector is connected. Activation commands for some laptop computers are listed in the following table. (If your computer is not listed or the given command does not work, refer to the computer's documentation for the appropriate command.) On many laptops, the activation function key is labeled with an icon, for example / or the text CRT/LCD.

Computer	Key command to activate port	Key command to de-activate port
Acer	Ctrl-Alt-Esc (for setup)	Ctrl-Alt-Esc (for setup)
AST* **	FN-D or Ctrl-D Ctrl-FN-D FN-F5 type from A://VGA/CRT FN-F12	FN-D or Ctrl-D Ctrl-FN-D FN-F5 type from A://VGA/CRT FN-F12
AMS	FN-F2	FN-F2
AMT	setup screen	setup screen
AT&T	FN-F3 FN-F6	FN-F3 FN-F6
Advanced Logic Research	Ctrl-Alt-V	Ctrl-Alt-V
Altima	Shift-Ctrl-Alt-C setup VGA/ Conf.Simulscan	Shift-Ctrl-Alt-L setup VGA/ Conf.Simulscan
Ambra**	FN-F12 FN-F5 F2/Choose Option/F5	FN-F12 FN-F5 F2/Choose Option/F5
Amrel* **	setup menu Shift-Ctrl-D	setup menu Shift-Ctrl-D
Apple	see Mac Portable and Mac PowerBook	
Aspen	automatic	automatic
Award	FN-F6	FN-F6
BCC*	automatic	reboot computer

Computer	Key command to activate port	Key command to de-activate port
Bondwell	LCD or CRT options after bootup	reboot for LCD or CRT options to appear
Chaplet**	setup screen FN-F6 FN-F4	setup screen FN-F6 FN-F4
Chembook	FN-F6	FN-F6
Commax	Ctrl-Alt-#6	Ctrl-Alt-#5
Compaq* **	Ctrl-Alt-< FN-F4 automatic mode/? (for setup option)	Ctrl-Alt-> FN-F4 automatic mode/? (for setup option)
Compuadd* **	automatic Alt-F for screen setup option	automatic Alt-F for screen setup option
Data General	Ctrl-Alt-Command	Ctrl-Alt-Command
Data General Walkabout	2 CRT/X at DOS prompt	reboot
Datavue	Ctrl-Shift-M	Ctrl-Shift-M
DEC**	FN-F5 FN-F4	FN-F5 FN-F4
Dell**	Ctrl-Alt-< Ctrl-Alt-F10 FN-F8 (CRT/LCD) FN-D FN-F12	Ctrl-Alt-> Ctrl-Alt-F10 FN-F8 FN-D FN-F12
Digital*	automatic FN-F2	reboot FN-F2
Dolch	dip switch to CRT	dip switch to LCD
Epson	dip switch to CRT	dip switch to LCD
Everex*	setup screen option	setup screen option
For-A	Ctrl-Alt-Shift-C	Ctrl-Shift-Alt-L
Fujitsu	FN-F10	
Gateway	FN-F3 FN-F1/FN-F1 again simultaneous	FN-F3 FN-F1

Computer	Key command to activate port	Key command to de-activate port
Grid* **	FN-F2, choose auto or simultaneous Ctrl-Alt-Tab	FN-F2 Ctrl-Alt-Tab
Hitachi	FN-F7	FN-F7
Honeywell	FN-F10	FN-F10
Hyundai	setup screen option	setup screen option
IBM 970*	automatic	warm reboot
IBM ThinkPad**	reboot, enter setup menu FN-F7, select choice from setup menu FN-F1, select choice FN-F5, select choice PS/2 SC select choice (CRT, LCD, etc.)	FN-F2
Infotel	FN-F12	FN-F12
Kaypro	boot up, monitor plugged in	unplug monitor
Kris Tech	FN-F8	FN-F8
Leading Edge	FN-T	FN-T
Mac Portable 100	no video port: not compatible	
Mac PowerBook 140, 145, 150, 170	no video port: requires a 3rd-party interface	
160, 165, 180, 520, 540, 5300	Control Panel folder; PowerBook Display folder; Activate Video Mirroring	warm reboot
210, 230, 250, 270, 280, 2300	requires Apple Docking Station or Mini Dock	
Magitronic	FN-F4	FN-F4
Mastersport	FN-F2	FN-F1
Micro Express*	automatic	warm reboot
Micron	FN-F2	FN-F2
Microslate*	automatic	warm reboot

Computer	Key command to activate port	Key command to de-activate port
Mitsubishi	SW2 On-Off-Off-Off	SW2 Off-On-On-On
NCR	setup screen option	setup screen option
NEC* **	setup screen option CRT at the DOS prompt FN-F3	setup screen option LCD at the DOS prompt FN-F3
Olivetti*	automatic FN-O/*	automatic FN-O/*
Packard Bell* **	FN-F0 Ctrl-Alt-<	FN-F0 Ctrl-Alt->
Panasonic	FN-F2	FN-F2
Prostar	Ctrl-Alt-S at bootup	Ctrl-Alt-S at bootup
Samsung*	setup screen option	setup screen option
Sanyo	setup screen option	setup screen option
Sharp	dip switch to CRT	dip switch to LCD
Sun SPARC-Dataview	Ctrl-Shift-M	Ctrl-Shift-M
Tandy**	Ctrl-Alt-Insert setup screen option	Ctrl-Alt-Insert setup screen option
Tangent	FN-F5	FN-F5
Texas Instruments*	setup screen option	setup screen option
Top-Link* **	setup screen option FN-F6	setup screen option FN-F6
Toshiba* **	Ctrl-Alt-End FN-End FN-F5 setup screen option	Ctrl-Alt-Home FN-Home FN-F5 setup screen option
Twinhead*	FN-F7 FN-F5 Automatic	FN-F7 FN-F5 Automatic
WinBook	Ctrl-Alt-F10	Ctrl-Alt-F10
Wyse	software driven	software driven
Zenith**	FN-F10 FN-F2	FN-F10 FN-F2

Computer	Key command to activate port	Key command to de-activate port
	FN-F1	FN-F1
Zeos**	Ctrl-Shift-D FN-F1	Ctrl-Shift-D FN-F1

* These manufacturers have models that automatically send video to the external CRT port when some type of display device is attached.

** These manufacturers offer more than one key command depending on the computer model.

Using Video Mirroring with a PowerBook Computer

When you turn video mirroring (called SimulScan in newer PowerBooks—see below) on, the projector displays the same information that appears on your PowerBook's built-in screen. When video mirroring is off, the projector acts like a separate display.

To turn on video mirroring for the first time:

- 1 Open the Monitors control panel; click on Monitor 2.
- 2 Set the number of colors you want.
- 3 Open the Control Strip, then click on the monitor icon.
- 4 Select "Turn Video Mirroring On."

Now you can turn video mirroring on and off from the Control Strip without having to open the Monitors control panel again.

When using video mirroring and high color graphics such as slide shows, the projected image occasionally might turn black and white. If this happens, perform the following steps:

- 1 Turn off video mirroring.
- 2 Open the Monitors control panel.
- 3 Move the white menu bar to Monitor 2 to set the projector as the primary monitor.
- 4 Restart the PowerBook.

Using SimulScan

Some newer PowerBooks display images on an external monitor or projector differently than previous ones. When using SimulScan, the projector displays the same information that appears on your PowerBook

To select SimulScan:

- 1 Open the Control Panel, then double-click Monitors and Sound.
- 2 In the Resolution list, choose the SimulScan mode, then click OK.
- 3 If this changes your display settings, a dialog box appears. Click OK to confirm the change.

INDEX

A

- accessories, ordering 44, 45
- activation commands for laptop computers 46
- adjusting
 - height of the projector 11
 - volume 16
- altitude limits 43
- assistance. See Technical Support

B

- buttons on keypad
 - Menu 15
 - Standby 16
 - Volume 16

C

- cables
 - M1-DA analog computer cable 2
 - ordering 44
 - power 44
- cases, ordering 44
- centering the image 11
- cleaning the projection lens 35
- colors
 - don't match monitor colors 41
 - not displayed 40
- compatibility
 - IBM-compatible 1
 - Macintosh 1
- computers
 - connecting 7
- computers, compatible 1
- connecting
 - computers 7
 - power cord 9
 - video player 8

D

- displaying
 - on-screen menus 15

E

- elevator button/foot 11

F

- focusing the image 11

H

- HDTV 8
- height adjustment 11

I

- IBM-compatible computers
 - compatibility 1
- image
 - adjusting 9
 - colors don't match computer's 41
 - focusing 11
 - has lines or spots 41
 - not centered 40
 - not displayed 39
 - out of focus 40
 - quality 40–41
 - resolution 1
 - reversed 40
 - size 5
 - streaked 41
 - too wide or too narrow 40
 - zooming 11

K

- keypad 15

L

- lamp
 - ordering 44
 - replacing 36
 - turns off unexpectedly 41
- laptop computers
 - activation sequence to allow
 - secondary display 46
 - compatibility 7
 - connecting 7

LED 15

lens

- cap 44
- cleaning 35

LP260

- cases 44
- setting up 5
- specifications 43
- turning off 10
- turning on 9

M

- M1-DA analog computer cable 2
- Macintosh computers
 - compatibility 1
- Menu button 17
- menus. See on-screen menus
- monitor, projected colors don't match
 - 41
- mouse
 - buttons on keypad 15, 17
 - buttons on remote 17

O

- on-screen menus
 - displaying 17
 - making changes to menu
 - functions 17

P

- power cord
 - connecting 9
 - ordering 44
- power up sequence 10, 39
- PowerPoint slides, advancing with the
 - remote 14

R

- remote control
 - advancing PowerPoint slides
 - with 14
 - controlling the computer with 13
 - replacing the batteries 38
 - using 13, 15
- replacing projection lamp module 36
- resolution 1

S

- safety guidelines iii
- security lock 45
- SimulScan, using with PowerBooks 51
- specifications 43

T

- Technical Support
 - in Europe 4
 - in Singapore 4
 - in USA 4
 - information to have on hand
 - before you call 42
- temperature limits 43
- test pattern 39
- text not visible 40
- tint, adjusting 30
- troubleshooting 39
- turning off the projector 10
- turning on the projector 9

V

- vertical lines displayed 41
- video mirroring on a PowerBook 51
- Volume buttons 16
- volume, adjusting 16

W

- warranty 45

Z

- zooming the image 11

LIMITED WARRANTY

InFocus Corporation (“InFocus”) warrants that each LP260 (“the Product”) sold hereunder will conform to and function in accordance with the written specifications of InFocus. Said limited warranty shall apply only to the first person or entity that purchases the Product for personal or business use and not for the purpose of distribution or resale. Said warranty shall continue for a period of two (2) years from the date of such purchase. The standard limited warranty excludes the lamps in projectors after 90 days and the accessories after one year. InFocus does not warrant that the Product will meet the specific requirements of the first person or entity that purchases the Product for personal or business use. InFocus’ liability for the breach of the foregoing limited warranty is limited to the repair or replacement of the Product or refund of the purchase price of the Product, at InFocus’ sole option. Replacement Product may be re-furnished in “like-new” condition, at InFocus’ sole discretion. To exercise the Purchaser’s rights under the foregoing warranty, the Product must be returned at the Purchaser’s sole cost and expense, to InFocus or to any authorized InFocus service center provided, and the Product must be accompanied by a written letter explaining the problem and which includes (i) proof of date of purchase; (ii) the dealer’s name; and (iii) the model and serial number of the Product. When sending your unit in for repair, please ship your unit in its original packing material or an InFocus approved ATA Shipping Case, or have a professional packaging company pack the unit. Please insure your shipment for its full value. A return authorization number, issued by the InFocus customer service department, must also be clearly displayed on the outside of the shipping carton containing the Product.

Note: Remanufactured Products are exempt from the foregoing Limited Warranty. Please refer to the Remanufactured Product Warranty for applicable warranty information.

WARRANTY LIMITATION AND EXCLUSION

InFocus shall have no further obligation under the foregoing limited warranty if the Product has been damaged due to abuse, misuse, neglect, accident, unusual physical or electrical stress, unauthorized modifications, tampering, alterations, or service other than by InFocus or its authorized agents, causes other than from ordinary use or failure to properly use the Product in the application for which said Product is intended.

DISCLAIMER OF UNSTATED WARRANTIES

THE WARRANTY PRINTED ABOVE IS THE ONLY WARRANTY APPLICABLE TO THIS PURCHASE. ALL OTHER WARRANTIES, EXPRESS OR IMPLIED, INCLUDING, BUT NOT LIMITED TO, THE IMPLIED WARRANTIES OF MERCHANTABILITY AND FITNESS FOR A PARTICULAR PURPOSE ARE DISCLAIMED. THERE ARE NO WARRANTIES THAT EXTEND BEYOND THE FACE HEREOF AND THE FOREGOING WARRANTY SHALL NOT BE EXTENDED, ALTERED OR VARIED EXCEPT BY WRITTEN INSTRUMENT SIGNED BY INFOCUS. SOME STATES DO NOT ALLOW LIMITATIONS ON HOW LONG AN IMPLIED WARRANTY MAY LAST, SO SUCH LIMITATIONS MAY NOT APPLY TO YOU.

LIMITATION OF LIABILITY

IT IS UNDERSTOOD AND AGREED THAT INFOCUS' LIABILITY WHETHER IN CONTRACT, IN TORT, UNDER ANY WARRANTY, IN NEGLIGENCE OR OTHERWISE SHALL NOT EXCEED THE RETURN OF THE AMOUNT OF THE PURCHASE PRICE PAID BY PURCHASER AND UNDER NO CIRCUMSTANCES SHALL INFOCUS BE LIABLE FOR SPECIAL, INDIRECT, INCIDENTAL OR CONSEQUENTIAL DAMAGES OR LOST PROFITS, LOST REVENUES OR LOST SAVINGS. THE PRICE STATED FOR THE PRODUCT IS A CONSIDERATION IN LIMITING INFOCUS' LIABILITY. NO ACTION, REGARDLESS OF FORM, ARISING OUT OF THE AGREEMENT TO PURCHASE THE PRODUCT MAY BE BROUGHT BY PURCHASER MORE THAN ONE YEAR AFTER THE CAUSE OF ACTION HAS ACCRUED. SOME STATES DO NOT ALLOW THE EXCLUSION OR LIMITATION OF INCIDENTAL OR CONSEQUENTIAL DAMAGES SO THE ABOVE LIMITATION OR EXCLUSION MAY NOT APPLY TO YOU. THIS LIMITED WARRANTY GIVES YOU SPECIFIC LEGAL RIGHTS, AND YOU MAY ALSO HAVE OTHER RIGHTS WHICH VARY FROM STATE TO STATE.