

LCD PROJECTOR LENS

MODEL NO. LNS-W02/T02
LNS-W02K/T02K Series

LENS REPLACEMENT AND INSTALLATION PROCEDURE

NOTES ON LENS INSTALLATION

Lens installation should be performed by the qualified service personnel.

It should be followed by this procedure precisely.

Before attempt to install the lens, confirm the model number (both the LCD projector and the lens) and use the proper lens.

If you have any questions, contact to the dealers.

PARTS LIST

Following parts are contained in the packing.

- LENS 1 piece
- LENS MOUNTING SCREWS 6 screws (2 for spare)
- DRIVER 1 piece
- LIGHT-BLOCK SHEET 1 sheet
- LENS COVER (UPPER · LOWER) 1 set

Following checks and confirmations should be taken for safety.

Check the following things by the time of the cabinet assembly after the lens installation.

1. Confirm the lens is securely fixed by 4 screws.
2. Wiring must not be tangled in the gear of the lens motor or the other mechanical part.
3. There is no missing part, or no loosing mounting part.

LENS REPLACEMENT AND INSTALLATION PROCEDURE

Perform the steps **1** to **5** for lens replacement and installation.

First, set the lens at the center position with lens shift button.

1 REMOVE THE LENS COVER.

First check the shape of cabinet.

In case figure-1 cabinet.

1. Remove screws A (2 screws).
2. Pull down the lower lens cover while pushing the part D, then remove it.
3. Remove screws B (2 screws).
4. Remove screws C (2 screws) and remove upper lens cover.

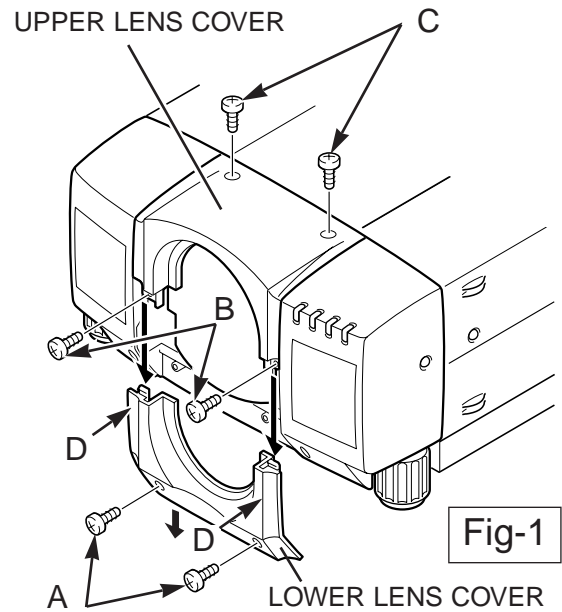


Fig-1

In case figure-2 cabinet.

Remove 4 screws of the lens cover and remove the lens cover.

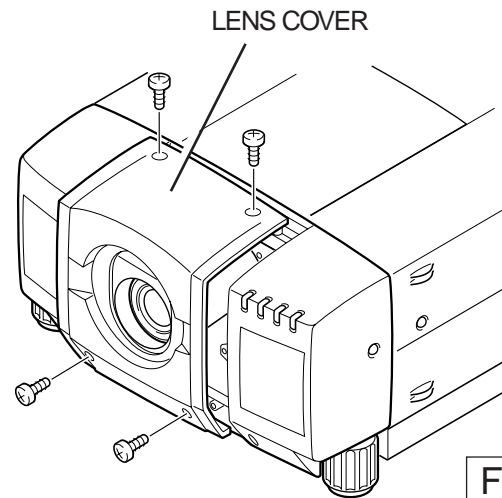


Fig-2

2

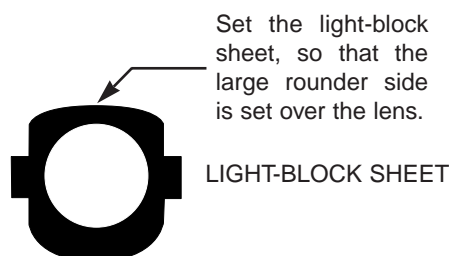
● IN CASE OF MODEL WITHOUT LENS

REMOVE THE COVER PLATE OF THE LENS COVER. (See figure-3)

Remove 2 screws and pull down the plate.

(At the step **5**, insert the light-block sheet in the same position as the removed cover plate has been placed. Two screws are not used.)

Use the light-block sheet included with lens.



LIGHT-BLOCK SHEET

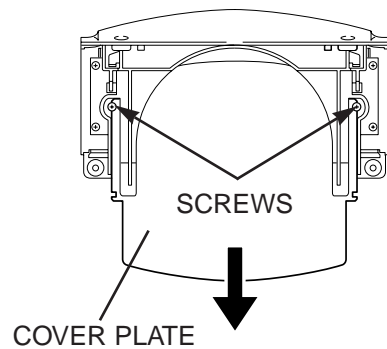


Fig-3

● IN CASE OF MODEL WITH LENS

REMOVE THE LENS. (See figure-4)

1. Remove the connector "K16B" of the circuit board.
2. Loosen the A, B, C wire holder and remove the lens motor lead.
3. Remove screws D (4 screws) which fastens the lens and remove the lens.

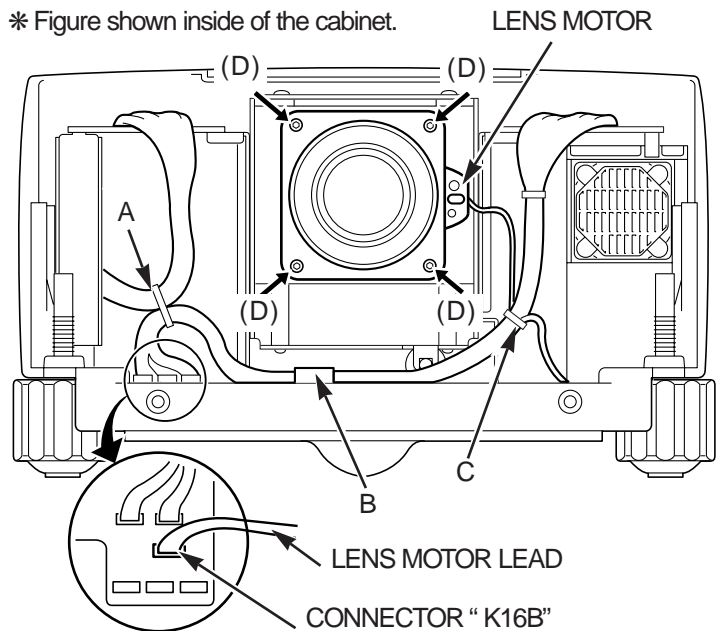
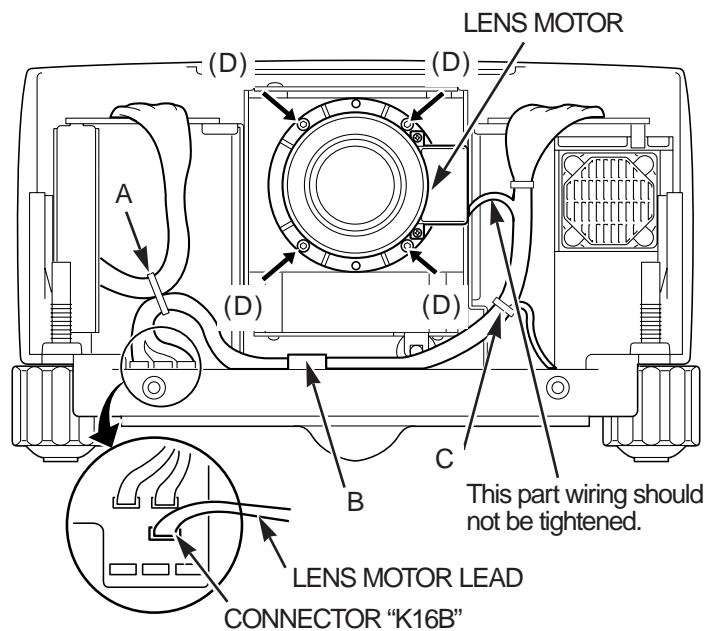


Fig-4



3 INSTALL THE LENS. (See figure-4,5)

1. Remove protective caps (front and back) on the lens.
2. Mount the lens at the lens mounting bracket with screws (4 screws) included with the lens. Use the driver included with the lens to fasten the screws . (After using, save it for latter use.) (See figure-5)
3. Connect the lens motor lead to the connector "K16B" of the circuit board. (See figure-4)
4. Fasten the lens motor lead at the A, B, C points with wire holder. (See figure-4)

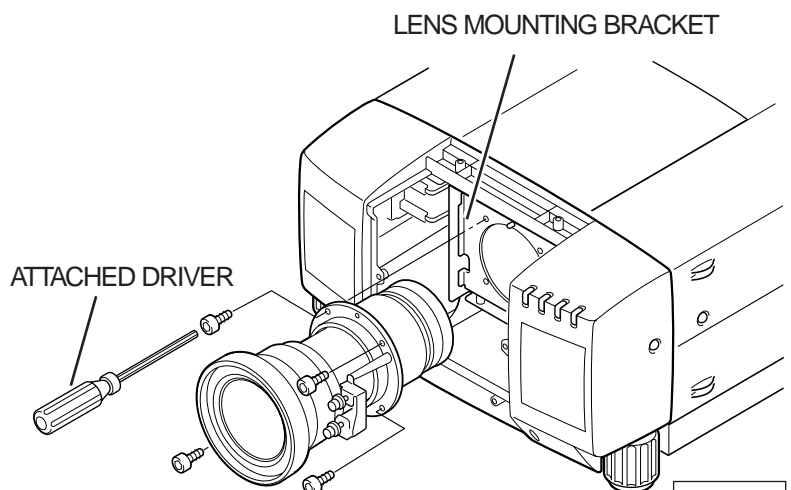


Fig-5

4 INSTALL THE LIGHT-BLOCK SHEET.

(See figure-6)

Install the light-block sheet around the lens as shown in the illustration.

(Use the sheet included with the lens.)

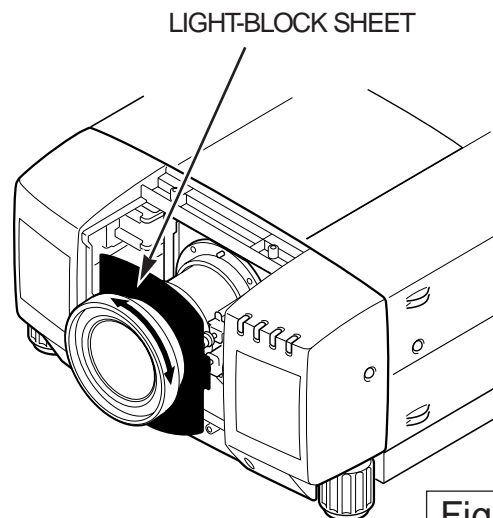


Fig-6

5 MOUNT THE LENS COVER. (See figure-7)

When in install the both upper and lower lens covers, put the light-block sheet through the lens and install the sheet so that it should be placed in the guide slot of the lens cover. (See figure-8) If the installation of the light-block sheet is incorrect, there will be the space between lens and the lens cover, so that it will be the cause of leakage of light or the dust entering at the main cabinet.

1. Insert the upper part lens cover and fix them with screws A (4 screws).

2. Insert the lower part lens cover and fix them with screws B (2 screws).

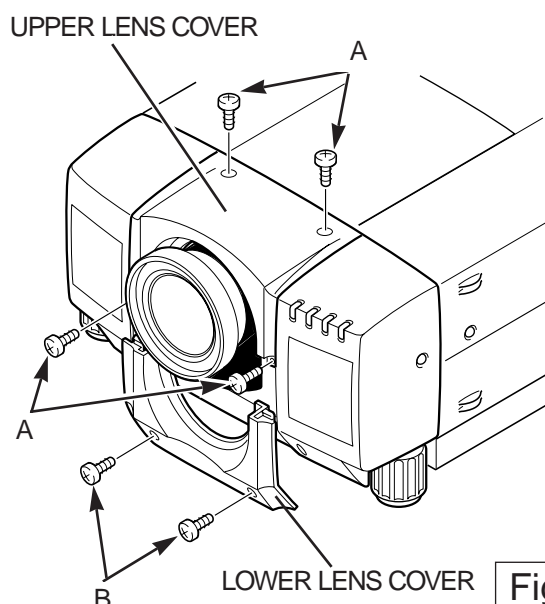


Fig-7

*Removed lens cover in figure-2 is not used, keep the cover for possible re-use when current lens is used.

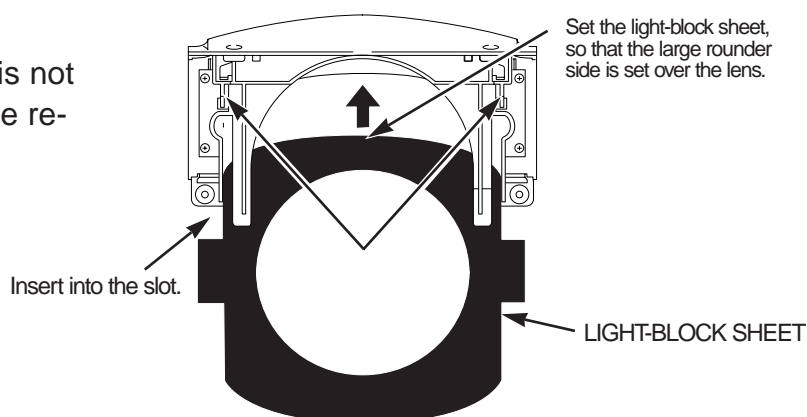


Fig-8