

Pocket LOOX N/C Series



We make sure

FUJITSU COMPUTERS
SIEMENS

Are there ...

... any technical problems or other questions which you would like to be clarified?

Please contact:

- our Hotline/Help Desk
(see Help Desk List or the Internet: www.fujitsu-siemens.com/helpdesk)
- your sales partner
- your sales outlet

Further information can be found in the "Safety" and "Warranty" manuals.

The latest information on our products, tips, updates, etc., can be found on the internet under:
www.fujitsu-siemens.com

This manual was produced by Xerox Global Services.

Published by

Fujitsu Siemens Computers GmbH

Edition 3, March 2006

Order No.: **A26391-K165-Z120-1-19**

Pocket LOOX N/C Series

EasyGuide

Your Pocket LOOX

Important notes

Operating Pocket PC

Configuring the
Pocket PC

Connecting and
networking the Pocket PC
with other devices

Troubleshooting and tips

Technical data

Index

Adobe and Acrobat are trademarks of Adobe systems Incorporated and may be protected in certain countries.

Intel is a registered trademark, XScale is trademark of Intel Corporation, U.S.A.

Microsoft, Windows and ActiveSync are registered trademarks of the Microsoft Corporation.

Windows Mobile is a trademark of Microsoft Corporation.

The SD Logo is a trademark of Secure Digital.

The Bluetooth trademarks are the property of Bluetooth SIG, Inc., U.S.A. licensed for Fujitsu Siemens Computers GmbH.

All other trademarks referenced are trademarks or registered trademarks of their respective owners, whose protected rights are acknowledged.

Copyright © Fujitsu Siemens Computers GmbH 2006

All rights, including rights of translation, reproduction by printing, copying or similar methods, in part or in whole, are reserved.

Offenders will be liable for damages.

All rights, including rights created by patent grant or registration of a utility model or design, are reserved.

Delivery subject to availability. Right of technical modification reserved.

Contents

Your Pocket LOOX	1
Notational conventions	2
Software overview	3
Optional Software	4
Optional Accessories	5
Cradle	5
Audio Control Set	5
External GPS Antenna	5
Important notes	7
Safety notes	7
Underway with the Pocket PC	8
Transporting Pocket PC	8
Using the Pocket PC	9
Cleaning Pocket PC	9
Disposal and recycling	9
Liability	9
CE marking	10
Operating Pocket PC	11
Overview of the controls, connections and displays	11
Front of Pocket PC	11
Back of the Pocket PC	12
Displays (power-on display and radio display)	13
Initial start-up	13
Inserting battery	14
Connecting PSC11R-050 power adapter	15
Installing ActiveSync on your PC/notebook	17
Start Pocket PC for the first time	18
First data synchronisation between the Pocket PC and the PC/notebook	19
Switching Pocket PC off and on	19
Switching Pocket PC off and on during normal use	19
Switching the Pocket PC on and off to save the batteries	20
Switching on and off with soft reset (warm boot)	21
Resetting the Pocket-PC (Cold start)	22
Resetting Pocket PC to delivered state	23
Using standard operating elements	24
Using the pen	24
Using navigation key	24
Using the application buttons	25
Making the display lighting lighter and darker	25
Inserting and removing expansion card	26
Inserting expansion card	26
Removing expansion card	27
Use the Pocket PC as a USB Host device	28
Underway with the Pocket PC	29
Using GPS	29
Charging the battery	29
Charging the battery via a USB port	33
Optimising battery operating time	33

Contents

Synchronising data with ActiveSync	34
Connecting the Pocket PC with PC/Notebook	35
Synchronising data with new PC/notebook.....	35
Using the cradle.....	36
Configuring the Pocket PC.....	39
Energy management optimising.....	39
General information on energy management	39
Using energy-saving functions.....	40
Adjusting menus	41
Password protection.....	41
Configuring hardware keys	42
FSC KeyLock: Preventing switch-on with application buttons	42
Assigning chosen functions to the hardware buttons.....	42
Connecting and networking the Pocket PC with other devices	43
Wireless data transfer with infrared interface.....	43
Wireless connection via Wireless LAN (optional)	43
Wireless communication with Bluetooth (optional)	44
Selecting location for Bluetooth operation	44
Activating and deactivating Bluetooth.....	44
Troubleshooting and tips	45
Installing new software.....	45
The Pocket PC's time or date are not correct	45
The display of the Pocket PC remains dark.....	45
The display is hardly readable	45
The Pocket PC switches off.....	45
The Pocket PC does not start after switch on.....	46
The Pocket PC stops working.....	46
The battery discharges too quickly	46
The Suspend/Resume button does not respond properly	47
No sound or minimal volume	47
Poor reception via GPS	47
Contact with hotline/help desk	47
Technical data	49
Pocket PC	49
Battery (Li-Ion)	50
PSC11R-050 power adapter.....	50
Index.....	51

Your Pocket LOOX ...

... is equipped with the Office applications *Microsoft Word*, *Excel* and *Outlook*. In *Outlook* you cannot only receive and send mails, but also manage your appointments and be reminded of your tasks. You can access names, e-mail addresses and telephone numbers while you are away from your home or office. You can store notes in written form or verbally as with a dictation device. Memory cards ensure that even large amounts of data can be carried along reliably.

Install *ActiveSync* on your notebook or PC, connect the Pocket LOOX to your notebook or PC and you can synchronise your data. In the office you can then effortlessly transfer all your data and newly created documents to your notebook or PC.

With the optional USB Host line you can use your Pocket LOOX as a USB Host device. You can connect different USB devices, such as a MEMORYBIRD, to the Pocket PC.

Read your favourite book quite comfortably away from home on the display or use the MP3 player. Insert the memory card of a digital camera in the slot and you can view the photos on the display.

Depending on the equipment of your unit with infrared or Bluetooth and wireless LAN you can establish a connection to other devices at the office and away from it without bothersome cables. For example, you can access the Internet using the Pocket LOOX with Bluetooth via your Bluetooth-capable mobile phone. You can call up both web and WAP pages with the *Internet Explorer*.

With a GPS receiver and navigation software you can use the Pocket PC as a navigation system.

The following documentation contains additional information on your Pocket PC and the *Windows Mobile* operating system:

- in the manuals "Safety" and "Warranty"
- in the help on your Pocket PC
- in the files on the Microsoft Getting Started CD (e.g. *.TXT, *.PDF)

Notational conventions

The meanings of the symbols and fonts used in this manual are as follows:



pay particular attention to texts marked with this symbol. Failure to observe this warning may endanger your life, destroy the system, or lead to loss of data. Failure to follow the instructions may lead to loss of data, invalidate your warranty, destroy the Pocket PC, or endanger your life.



indicates important information which is required to use the system properly.



text which follows this symbol describes activities that must be performed in the order shown.

This font

indicates programme names, commands, or menu items.

"Quotation marks"

indicate names of chapters, data carriers, and terms that are being emphasised.

Software overview

The following table provides an overview of the most important programs which are already installed on your Pocket PC and where you can find information on using these programs.

Software	Used for	Operating information
<i>Word Mobile</i>	For word processing	Help file on Pocket PC
<i>Excel Mobile</i>	For spread-sheet functions	Help file on Pocket PC
<i>Outlook Mobile</i>	Contacts/calendar//things to do	Help file on Pocket PC
<i>PowerPoint Mobile</i>	Opening and displaying presentations created on a PC.	Help file on Pocket PC
<i>ActiveSync</i>	For data synchronisation	Help file on the notebook or PC on which you installed <i>ActiveSync</i>
<i>Internet Explorer Mobile</i>	Browser for websites and WAP sites	Help file on Pocket PC
<i>Windows Media Player Mobile 10</i>	For playing audio and video files	Help file on Pocket PC
<i>FSC SpeedMenu</i>	Quick start menu for simplifying daily procedures. Adapt the menu to your needs. Support for one-handed operation	Help file on the Pocket-PC and user manual "Pocket LOOX Software Suite" on the Microsoft Getting Started CD
<i>CONNECTMOBILITY-E2C</i>	Connection manager for efficient management and control of complex Internet and Intranet connections. Automates and minimizes user actions. Supports, e.g. Bluetooth, wireless LAN und infrared (IrDA, CIR)	Help file on the Pocket-PC and user manual "Pocket LOOX Software Suite" on the Microsoft Getting Started CD
<i>FSC Voice Recorder</i>	Brings real Dictaphone® functionality to the Pocket LOOX	Help file on the Pocket-PC and user manual "Pocket LOOX Software Suite" on the Microsoft Getting Started CD
<i>FSC Audio Path</i>	Comfortable operation of the multiple active audio outputs on the Pocket LOOX	Help file on the Pocket-PC and user manual "Pocket LOOX Software Suite" on the Microsoft Getting Started CD
<i>FSC Panning</i>	Problems when scrolling in the <i>Internet Explorer Mobile</i> ? <i>FSC Panning</i> quickly brings window contents into view. Especially useful on large websites.	Help file on the Pocket-PC and user manual "Pocket LOOX Software Suite" on the Microsoft Getting Started CD
<i>FSC KeyLock</i>	Protects against accidental starting of the Pocket-PC when a key is pressed	Help file on the Pocket-PC and user manual "Pocket LOOX Software Suite" on the Microsoft Getting Started CD

Optional Software

The following table provides an overview of the most important programs which are already installed on your Pocket PC, depending on the device variants or software installations, and information on where you can find information on using these programs.

In addition to these programs, you can install a range of programs at a later date.

Software	Used for	Operating information
<i>FSC Password</i>	Protection against theft – permanent passwords for protecting against misuse Patented solution.	Help file on the Pocket-PC and user manual "Pocket LOOX Software Suite" on the Microsoft Getting Started CD
<i>FSC Backup</i>	Partial and full data backup on external memory modules	Help file on the Pocket-PC and user manual "Pocket LOOX Software Suite" on the Microsoft Getting Started CD
<i>FSC MobileZip</i>	Open, unpack, create and edit Zip archives	Help file on the Pocket-PC and user manual "Pocket LOOX Software Suite" on the Microsoft Getting Started CD
<i>GPSLocator</i>	GPS Locator illustrates the basic functions of your GPS system	Help file on the Pocket-PC and user manual "Pocket LOOX Software Suite" on the Microsoft Getting Started CD

Optional Accessories

We offer a range of accessories to make it easier and more convenient to work with your Pocket PC. Information on additional accessories for your Pocket LOOX is provided on the Internet at www.fujitsu-siemens.com/accessories.

Below you will find a short description of the special accessories for your Pocket PC.

Cradle

With the cradle you can charge the battery in the Pocket PC and/or carry out a data synchronisation between the Pocket PC and a PC/notebook.

The cradle has an audio output for connecting active loudspeakers, amplifiers or headphones.

Audio Control Set

You can convert your Pocket PC into a fully functional MP3 player using the "Audio Control Set". The set contains headphones, a protective cover with carrying strap and a remote control cable. The remote control cable controls the MP3 functions such as Playback/Pause; Stop; jump to next/last title, fast forward and rewind of the Microsoft Media Player. You can also adjust the Pocket PC's volume.

External GPS Antenna

With a Pocket PC with integrated GPS, you can connect an external GPS antenna to the rear of the Pocket PC. The external GPS antenna improves performance in difficult reception conditions.

Important notes

This chapter contains safety notes and important information you must observe when using your Pocket PC.

This Pocket PC complies with the relevant safety regulations for data processing equipment. If you have questions as to whether you can set up and operate the Pocket PC in the intended environment, please contact your sales point or our hotline/help desk.

Safety notes



Observe the safety notes in the "Safety" manual and the following safety notes to prevent damage to your device, data loss or injuries.

- During installation and before operating the device, observe the instructions on environmental conditions in the "Technical data" chapter.
- Connect the power adapter plug to the PSC11R-050 power adapter. The power adapter plug must never be plugged into an electrical outlet without the PSC11R-050 power adapter.
- The included PSC11R-050 power adapter complies with the requirements of the country in which you purchased the Pocket PC. Make sure the PSC11R-050 power adapter is approved for the country in which it is used.
- The PSC11R-050 power adapter may only be connected to an electrical outlet when the Pocket PC or the cradle is connected to the PSC11R-050 power adapter.
- Do not use the PSC11R-050 power adapter for other devices.
- Do not use power adapters which are not specially approved for this Pocket PC.
- You may only operate the Pocket PC with the PSC11R-050 power adapter if the nominal voltage of the PSC11R-050 power adapter (100 V to 240 V) matches the local mains voltage.
- When transporting the device and on a trip, observe the information in the section "Underway with the Pocket PC".
- The high transmitting power of the consumer infrared interface (CIR) may cause technical problems for infrared devices (e.g. mobile phone, PDA) which are not suitable for CIR or are too close to the transmitter. Before you set up an Infrared data connection to a device such as a mobile phone or PDA, check that the CIR is not active or not currently being used by another program.
- The Bluetooth and WLAN radio components are initialised and become active for a short period if the batteries of the Pocket PC are changed or it is reset (cold boot or returned to delivery condition). Be aware of this if you are in an environment where radio components must not be used (e.g. hospital, aircraft).

Underway with the Pocket PC

Observe the following information when you travel with your Pocket PC.

Transporting Pocket PC

- Switch the Pocket PC off.
- Disconnect the cables from the Pocket PC.
- If the device needs to be shipped, use the original packaging or other suitable packaging to protect it from damage caused by mishandling.
- Use the pouch for transporting the Pocket PC that provides protection against jolts and impacts (the protective pouch is available as an accessory).
- Protect the Pocket PC from severe shocks and extreme temperatures (e.g., direct sunlight in a car).
- If you wish to use your Pocket PC during a flight, check first with the airline if this is allowed and under which conditions.
- In some countries the use of Bluetooth is restricted or completely prohibited. Ask about the regulations in the country you will be travelling in before starting your trip. As a precaution, switch Bluetooth off in case there is any uncertainty at your place of residence.
- If you are travelling abroad, ensure that the PSC11R-050 power adapter can be operated with the local mains voltage. Do not use any other voltage converter!
- If you use a modem, incompatibilities with the local telecommunications system may result.

Using the Pocket PC

Store the Pocket PC in a fully charged state in a dry environment. If you store the Pocket PC for up to a month, the storage temperature should be between -20°C and +60°C. If you store the Pocket PC for up to three months, the storage temperature should be between -20°C and +45°C. The lower the temperature at which the batteries are stored, the lower is the rate of self-discharge.



Avoid leaving your Pocket PC lying in direct sunlight in a car. The temperature could exceed the permissible 60°C in such cases!

To protect the battery, battery charging is interrupted at excessively high temperatures (over 48°C).

Please note that batteries discharge themselves over time. Therefore, recharge the battery of your Pocket PC at regular intervals during the storage period.

Protect the slots for expansion cards and the ActiveSync connection of the Pocket PC from soiling. Soiling can lead to contact problems.

Cleaning Pocket PC

- ▶ Switch the Pocket PC off.
- ▶ Pull the PSC11R-050 power adapter out of the electrical outlet.



Do not use any cleaning agents that contain abrasives or may corrode plastic.

Please ensure that no liquid enters the Pocket PC.

The device surface can be cleaned with a dry cloth.

If it is very dirty, you can clean the device and the display with a damp cloth.

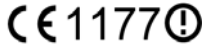
Disposal and recycling

You will find further information about country-specific recycling and disposal options in the Internet under www.fujitsu-siemens.com/recycling or on the Microsoft Getting Started CD.

Liability

Fujitsu Siemens Computers GmbH cannot be held responsible for radio or television faults arising from unauthorised changes made to this device. Fujitsu Siemens Computers is, furthermore, not responsible for replacing and / or exchanging connector cables and devices which have not been specified by Fujitsu Siemens Computers GmbH. The user is solely responsible for repairing faults arising from such unauthorised changes made to a device and for replacing and/or exchanging devices.

CE marking



Products bearing the CE marking comply with the R&TTE Directive (1999/5/EC), EMC Directive (89/336/EEC), and the Low Voltage Directive (73/23/EEC) issued by the Commission of the European Community.

CE compliance of this device is valid only if powered with by a CE-marked AC Adapter provided by Fujitsu Siemens Computers. Compliance with these directives implies conformity to the following European Norms (in parentheses are the equivalent international standards and regulations):

- EN 55022 (CISPR 22) — Electromagnetic Interference
- EN 55024 (IEC 61000-4-2, 3, 4, 5, 6, 8, 11) — Electromagnetic Immunity
- EN 61000-3-2 (IEC 61000-3-2) — Power Line Harmonics
- EN 61000-3-3 (IEC 61000-3-3) — Power Line Flicker
- EN 60950 (IEC 60950) — Product Safety
- ETS 300 328-2 — Technical requirements for 2.4 GHz radio equipment
- EN 301 489-1, -17 — General EMC requirements for radio equipment

The IEEE 802.11b wireless LAN and Bluetooth functionality of this product can be used in the following EU countries, EU candidate countries and EFTA countries: Belgium, Denmark, Germany, Estonia, Finland, France, Greece, Great Britain, Ireland, Iceland, Italy, Lichtenstein, Latvia, Lithuania, Luxemburg, Malta, Netherlands, Norway, Austria, Poland, Portugal, Sweden, Switzerland, Slovakia, Slovenia, Spain, Czech Republic, Hungary and Cyprus.

If you are not sure whether the use of Bluetooth is permitted in your country, please contact the corresponding supervisory authorities.



The user is responsible for radio interference that may occur when operating the device.

For IEEE 802.11b wireless LAN operation of this product, only a limited band is available in France (Channels 10, 11, 12, and 13 only). The Autorité de régulation des télécommunications (ART) has special regulations for hotspots allowing other channels, too. Please check with ART (<http://www.art-telecom.fr>) on this for local rulings and for authorization.

Operating Pocket PC

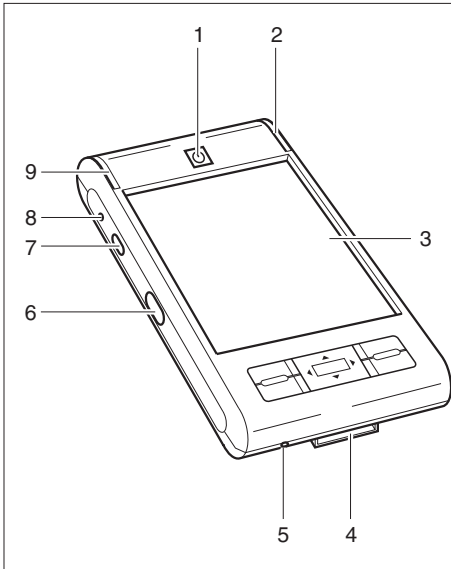
In this section you will find a description of the operating controls of your Pocket-PC and how you operate the Pocket-PC.



Follow the instructions in the chapter "Important notes".

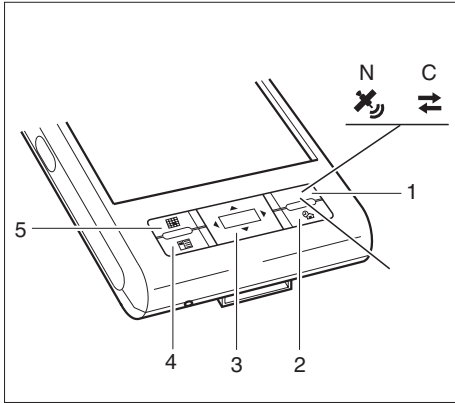
Overview of the controls, connections and displays

Front of Pocket PC



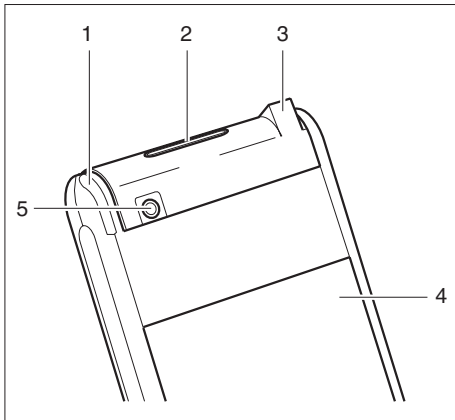
- 1 = Suspend/Resume button
- 2 = Power-on indicator (battery, message)
- 3 = Display
- 4 = ActiveSync port
- 5 = Opening for soft reset
- 6 = Infrared interface
- 7 = Record button
- 8 = Microphone opening
- 9 = Radio indicator (WLAN, GPS, Bluetooth)

Operating Pocket PC



- 1 = Navigation button (N) or
CONNECTMOBILITY-E2C button (C)
- 2 = Today button
- 3 = Navigation key
- 4 = Contacts button
- 5 = Calendar button

Back of the Pocket PC



- 1 = Pen
- 2 = Slot for SD/MMC expansion cards
- 3 = Port for headphones or active loudspeakers
- 4 = Battery compartment cover
- 5 = Port for external GPS antenna (optional)

Displays (power-on display and radio display)

Indicator	Colour	Description	Indicator state
Status: battery charge level	orange	Battery fully charged	on
		Battery is being charged	flashing
		Battery charger not connected	off
Status: message	green	Message present	flashing
Radio indicator: WLAN	green	WLAN activated	flashing
Radio indicator: GPS	orange	GPS activated	flashing
Radio indicator: Bluetooth	blue	Bluetooth activated	flashing



If the battery is being charged and a message is present at the same time, the power-on indicator flashes orange and green alternately.

Initial start-up



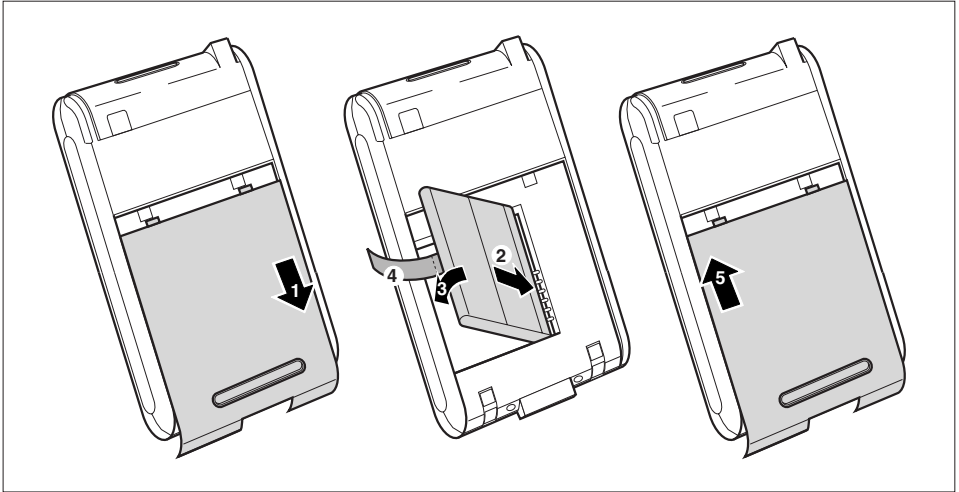
Please follow these steps in the given order! Before the first data synchronisation between your Pocket PC and your PC/notebook, you must install the program *ActiveSync* on your PC/notebook.

In just a few steps your Pocket PC is ready to use the first time:

- Inserting battery
- Connecting PSC11R-050 power adapter
- Install *ActiveSync* on the PC/notebook
- Start Pocket PC for the first time
- Start the initial data synchronisation between the Pocket PC and the PC/notebook

You will learn more about the individual steps in the following sections.

Inserting battery



- ▶ Pull the cover (1) off the Pocket PC in the direction of the arrow.
- ▶ Lay the battery in the battery compartment (2 +3). When doing so, watch the contact connections and hold onto the tab (4).
- ▶ Slide the cover (5) in the direction of the arrow as far as it will go.

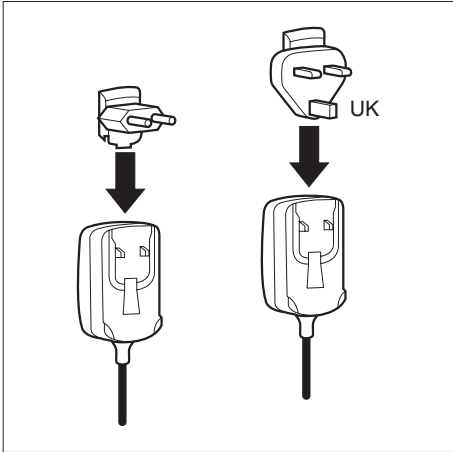


The battery is not charged at the time of delivery. Therefore, charge the battery for 12 hours before the first mobile use (see "Connecting PSC11R-050 power adapter " section).

Connecting PSC11R-050 power adapter

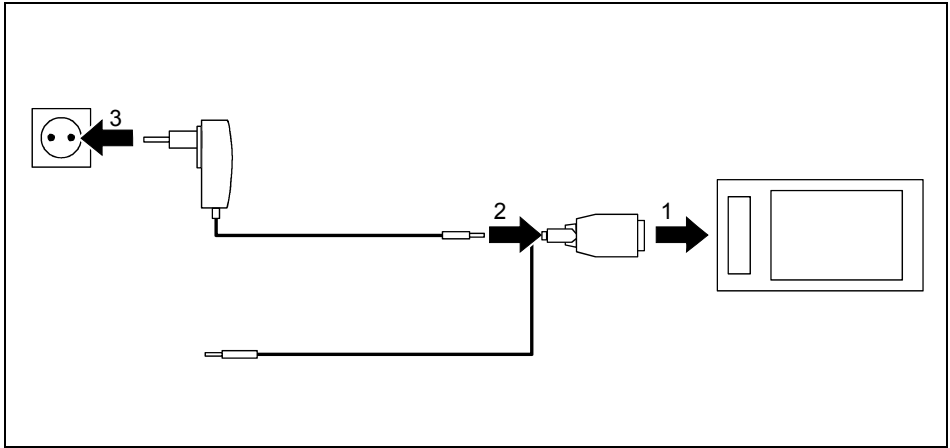


Follow the instructions in the chapter "Important notes".



You can connect the PSC11R-050 power adapter directly to the Pocket PC.

- ▶ Slide the suitable power adapter plug into the PSC11R-050 power adapter in the direction of the arrow until it engages.



- ▶ Connect the ActiveSync cable (1) to the ActiveSync port on the Pocket PC.
- ▶ Connect the power adapter cable (2) to the DC socket of the ActiveSync cable.
- ▶ Connect the PSC11R-050 power adapter (3) to an electrical outlet.

The installed battery will now be charged. The power-on indicator flashes orange.



Please note that:

Do not connect your Pocket PC to your computer (PC/notebook) yet. Before the first data synchronisation between your Pocket PC and your PC/notebook, you must install the program *ActiveSync* on your PC/notebook.

Installing ActiveSync on your PC/notebook

The data synchronisation helps you always keep your data on your Pocket PC and your PC/notebook up to date when you work alternately with your PC/notebook and your Pocket PC.

The ActiveSync cable and the *ActiveSync* software are provided for data synchronisation. *ActiveSync* is already installed on your Pocket PC. You need only install *ActiveSync* on your PC or notebook.

You will find the program *ActiveSync* and the necessary driver on the Microsoft Getting Started CD.

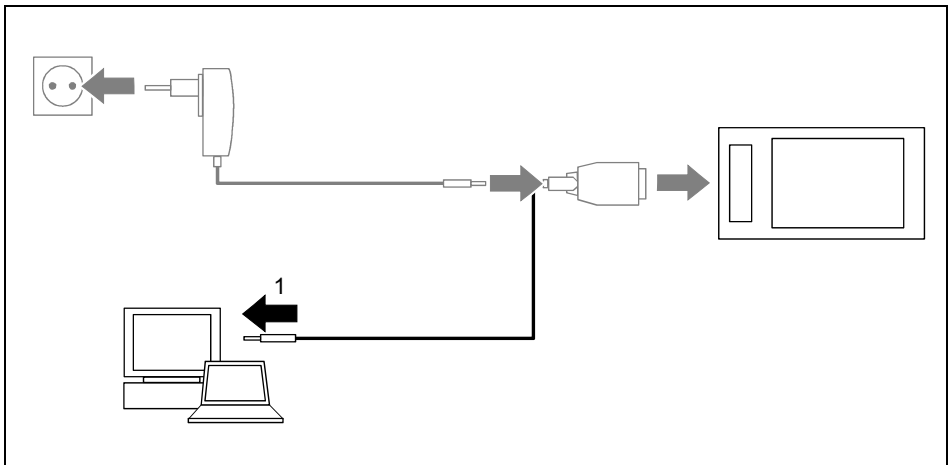
- ▶ Insert the Microsoft Getting Started CD in the optical drive of your PC/notebook.

The installation program of *ActiveSync* will start.

- ▶ If the installation program of *ActiveSync* does not start automatically, you must double-click on the file *Setup.exe* of *ActiveSync*.
- ▶ Follow the instructions on the screen.
- ▶ Prepare the Pocket PC as described in the section "Start Pocket PC for the first time".

During the installation the software attempts to establish a connection to the Pocket PC.

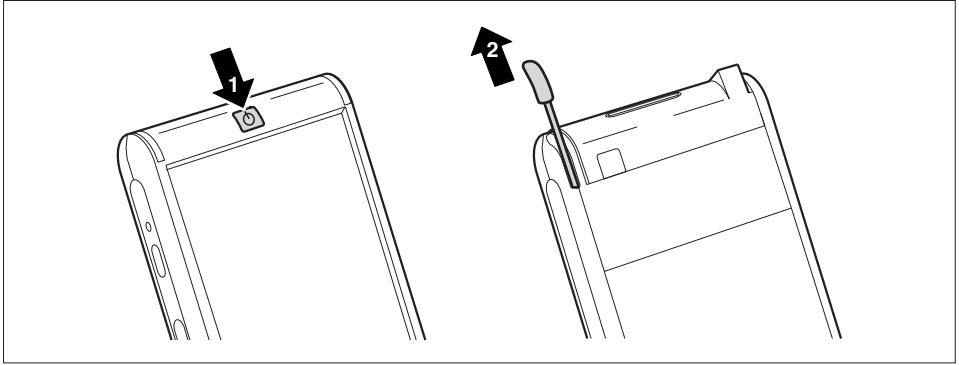
i If you have not yet installed *Outlook* on your PC/notebook, you must install it on your PC/notebook before the first data synchronisation between your Pocket PC and your PC/notebook. You will find *Outlook* on the supplied Microsoft Getting Started CD.



- ▶ Connect the ActiveSync cable to a USB port (1) of your PC/notebook.

The Pocket PC is now connected to your PC/notebook. The ActiveSync partnership between your Pocket PC and your PC/notebook will be established.

Start Pocket PC for the first time



- ▶ Press the Suspend/Resume button (1) to switch on the Pocket PC.
- ▶ Pull out the pen (2) in the direction of the arrow.

Adjusting touchscreen

The display of your Pocket PC is a touchscreen. To ensure that the touchscreen of your Pocket PC reacts correctly when touched with the stylus, you will be asked to align the touchscreen after the initial start-up.

Touch the centre of the cross hairs that appears on the display with the stylus. This procedure must be repeated several times, whereby the cross hairs appear at different locations on the display each time. Follow the instructions on the display.

Becoming familiar with basic operation

Next the operating system provides a brief introduction to the operation of the Pocket PC with the stylus after the initial start-up.

- ▶ Follow the instructions on the display.

Today screen

Following the introduction the Today screen appears. The Today screen shows all important current information at a glance. From this screen you have access to all programs and to the system settings.



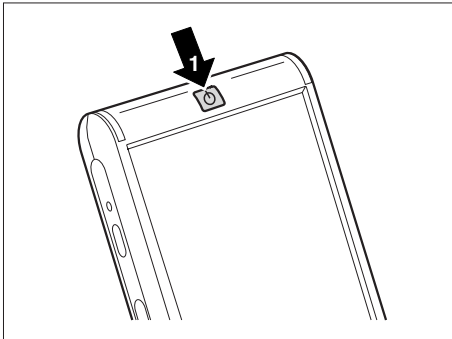
Please also use the help function available on your Pocket PC if you want to know more about running the programs contained in the operating system.

First data synchronisation between the Pocket PC and the PC/notebook

After you have specified the desired and required settings for synchronisation in the ActiveSync Setup Wizard, the first synchronisation starts automatically.

Switching Pocket PC off and on

Switch the Pocket PC on or off with the Suspend/Resume button. After certain applications or the installation of new programs, it may be necessary to restart the Pocket PC with the soft reset. It is only necessary in seldom, exceptional cases to reset the Pocket PC to the delivered state.



1 = Suspend/Resume button

Switching Pocket PC off and on during normal use

Switching off with Suspend/Resume button

- Briefly press the Suspend/Resume button to switch off the Pocket PC.

The Pocket PC is switched to suspend mode.



If you have specified a switch-off time with the system settings, your Pocket PC will automatically switch into the Suspend mode after this specified time.

There are two ways to switch on your Pocket PC:

Switching on with Suspend/Resume button

- Briefly press the Suspend/Resume button to switch on the Pocket PC.

Switching on with application buttons

By default, you can also switch your Pocket PC on by briefly pressing one of the application buttons. The applications assigned to the respective button appears on the screen.



With the appropriate setting in *FSC KeyLock* you can prevent the Pocket-PC being started by pressing the application button.

Switching the Pocket PC on and off to save the batteries

Switching off

- ▶ Press the Suspend/Resume button (1) for more than 1 second.

All programs are closed and the Pocket PC is completely switched off. The Pocket PC does not use any more power. You can store the Pocket PC for several weeks.

Switching on

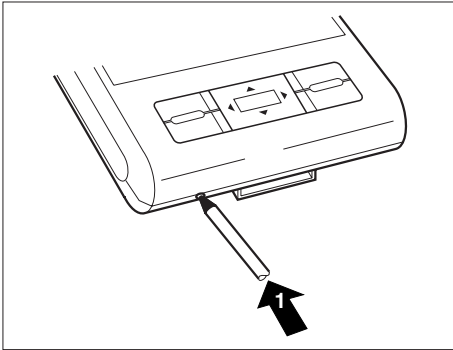
- ▶ Press the Suspend/Resume button (1) once.

Switching on and off with soft reset (warm boot)

After certain applications or the installation of new programs, it may be necessary to restart the Pocket PC with the soft reset.



Unsaved data is lost. Shut down all programs before you restart the Pocket-PC.



- ▶ Briefly press the stylus tip (1) into the soft reset opening.

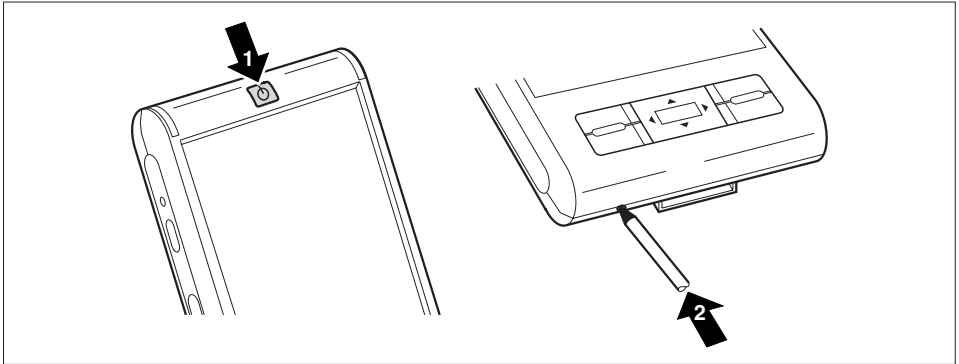
The warm boot is carried out.

Resetting the Pocket-PC (Cold start)

If your Pocket-PC locks up and switching it on and off with the suspend/resume button and soft reset has no effect, you can reset your Pocket-PC.

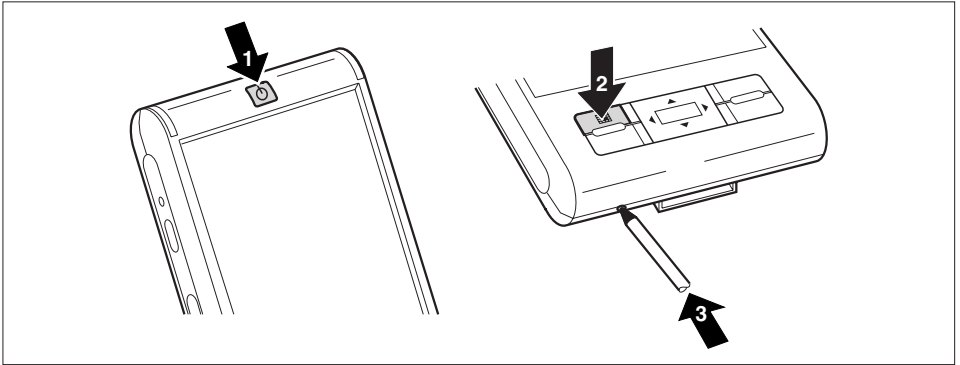


Unsaved data is lost. Shut down all programs before you reset the Pocket-PC.



- ▶ Simultaneously press the Suspend/Resume button (1) and the stylus tip (2) into the soft reset opening.

Resetting Pocket PC to delivered state



- ▶ Simultaneously press and hold the Suspend/Resume button (1) and the Calendar application button (2).
- ▶ Briefly press the stylus tip into the soft reset opening (3). Continue to hold down the Suspend/Resume button and the Calendar application button for a few seconds.

The reset can take a few minutes. At the end an acoustic signal sounds. Please follow the further instructions on the display.



When you reset your Pocket PC to the delivered state, the battery switches off so that the RAM content is lost. This means: You loose all data (documents, additionally installed programs, personal settings) that you haven't saved elsewhere. Back up your data regularly (memory card, *FSC Backup*).

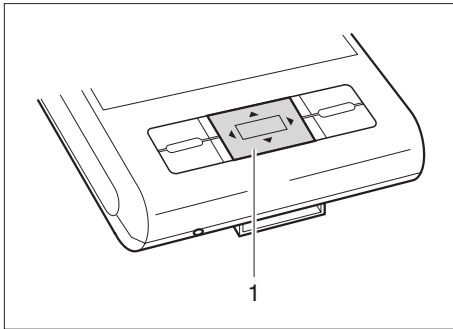
If you have set a password with *FSC Password* and marked it as permanent, the password remains intact.

Using standard operating elements

Using the pen

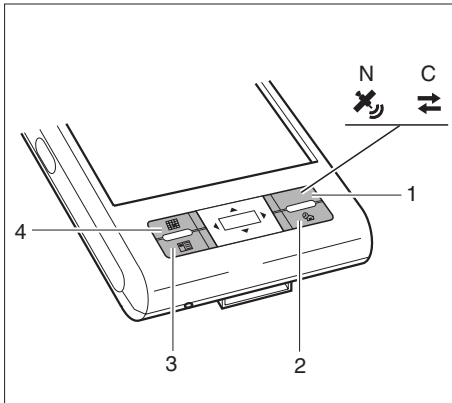
- ▶ Briefly touch the desired element on the display with the stylus to trigger an action.
- ▶ To activate popup menus, also touch the desired element with the stylus, however allow the stylus to rest on the element for a moment. The popup menu appears and you can select an element by touching it.

Using navigation key



With the navigation key (1) you scroll within the menus (up, down, to the left and right) and activate menu entries by pressing the centre of the navigation key.

Using the application buttons



- 1 = Navigation button (N) or
CONNECTMOBILITY-E2C button (C)
- 2 = Today button
- 3 = Contacts button
- 4 = Calendar button

With the application buttons and the appropriate preset (see chapter "Configuring the Pocket PC"), you can open your preferred programs and applications directly from suspend mode or from within an application.

Because the application button react differently to short or long keystrokes you can assign a total of eight different programmes or applications to the application buttons.

Making the display lighting lighter and darker

You can adjust the display lighting to make it darker or brighter using a combination of keys. Reduce the display brightness to save energy.

To make the display lighting brighter:

- ▶ Press the Today application button and keep it pressed down.
- ▶ Press the left arrow key on the navigation button until you obtain the desired brightness.

To make the display lighting darker:

- ▶ Press the Today application button and keep it pressed down.
- ▶ Press the right arrow key on the navigation button until you obtain the desired brightness.

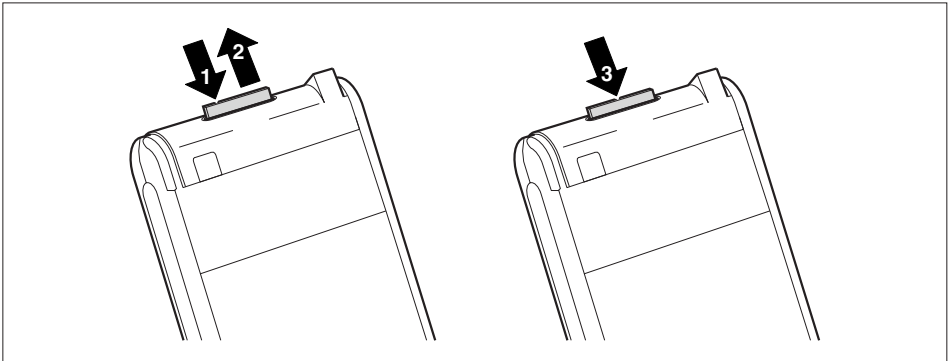
Inserting and removing expansion card

A slot enables the operation of an expansion card of the type "Secure Digital I/O" or "MultiMediaCard".



- Observe the manufacturer's instructions when using the expansion cards.
- Never use force when inserting or removing an expansion card.
- Make sure that no foreign objects enter the slot.

Inserting expansion card



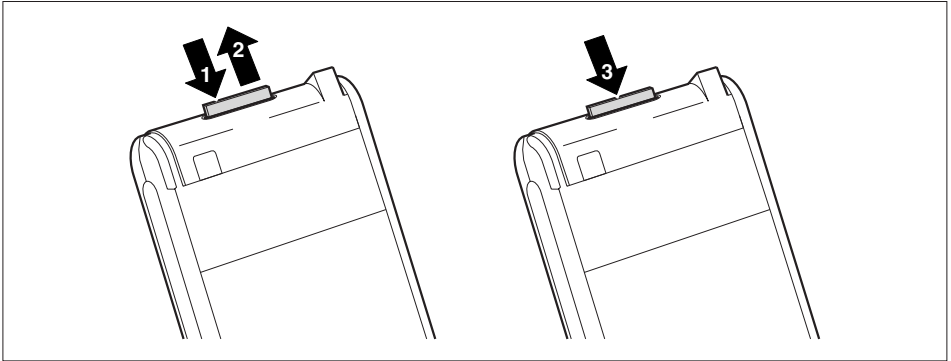
- ▶ Also press on the edge of the placeholder (1) so that the placeholder is pushed out of the slot somewhat.
- ▶ Pull the placeholder out of the Pocket PC (2).
- ▶ Carefully push the expansion card (3) into the slot.

The expansion card can protrude by one to several millimetres (depending on the type of expansion card).



Keep the placeholder for the expansion card in a safe place. When you remove the expansion card again, you should reinsert the expansion card placeholder. This prevents foreign matter from getting into the slot.

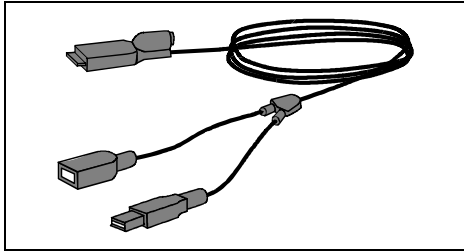
Removing expansion card



- ▶ Press on the edge of the expansion card (1) so that the expansion card jumps out of the slot slightly.
- ▶ Slide the expansion card out of the Pocket PC (2).
- ▶ Insert the placeholder (3) again into the slot if necessary.

The placeholder protrudes one to two millimetres.

Use the Pocket PC as a USB Host device



With the optional USB Host cable you can use your Pocket PC as a USB Host device and connect various USB devices, such as a MEMORYBIRD, to the Pocket PC.

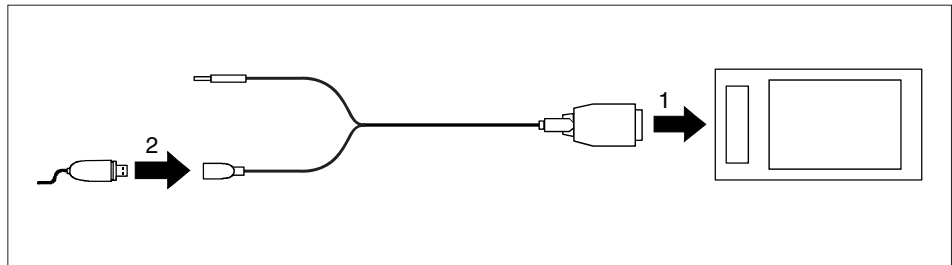
The USB Host cable is available as an accessory under the name "Sync Cable USB client/host".



You can connect USB devices from Fujitsu Siemens Computers (e.g. MEMORYBIRD or STORAGEBIRD) immediately.

If you want to connect other USB devices, ask your dealer whether drivers must be installed.

The current consumption of the USB device may not exceed 100 mA (at +5 V). USB devices with a current consumption of more than 100 mA must be supplied with power via their own power supply.



- ▶ Connect the USB host cable (1) to the ActiveSync port on the Pocket PC.
- ▶ Connect the USB device (such as a MEMORYBIRD) to the USB port (2) of the USB Host cable.

The USB device is now connected to your Pocket PC.

- ▶ If the battery charge level of your Pocket PC is low, you should connect the PSC11R-050 power adapter (see section "Connecting PSC11R-050 power adapter").

Underway with the Pocket PC

Using GPS

With a GPS receiver and navigation software you can use the Pocket PC as a navigation system. Depending on the equipment, the GPS receiver is either integrated or available as an external accessory.



Card materials for your Pocket PC is available from retailers on DVD or on memory cards or via an online shop.

You have two options for using the navigation software on your Pocket PC:

- You can use the navigation software on a preinstalled expansion card.
- You can install the navigation software via your PC, e.g. from a DVD.



To register your navigation software you require the serial number of the navigation software and possibly also the device ID of your Pocket PC.

The device ID will be displayed after the initial start-up of the navigation software if necessary.

- ▶ Register your navigation software and your card materials as described in the instructions for the navigation software.

A description of how to use the navigation software is provided in the instructions on the navigation software.



If the reception signal is weak, you can connect an external GPS antenna. The external GPS antenna improves performance in difficult reception conditions.

The external GPS antenna is available as an accessory.

Charging the battery

Your Pocket PC is equipped with a powerful battery. When you're on the road your Pocket PC is supplied with power by the integrated battery.



The battery is not charged on delivery and should be charged for 12 hours prior to the first mobile use.

The battery charging time is otherwise approx. 4 hours. When the Pocket PC is operating, the charging time is extended.

You have three ways of re-charging the battery:

- You can connect the Pocket PC directly to an electrical outlet with the PSC11R-050 power adapter.
- You can connect the cradle to an electrical outlet with the PSC11R-050 power adapter and insert the Pocket PC in the cradle.
- You can connect the Pocket PC to a computer's USB port using the ActiveSync cable.

You can continue to work with the Pocket PC during charging. This extends the charging time.



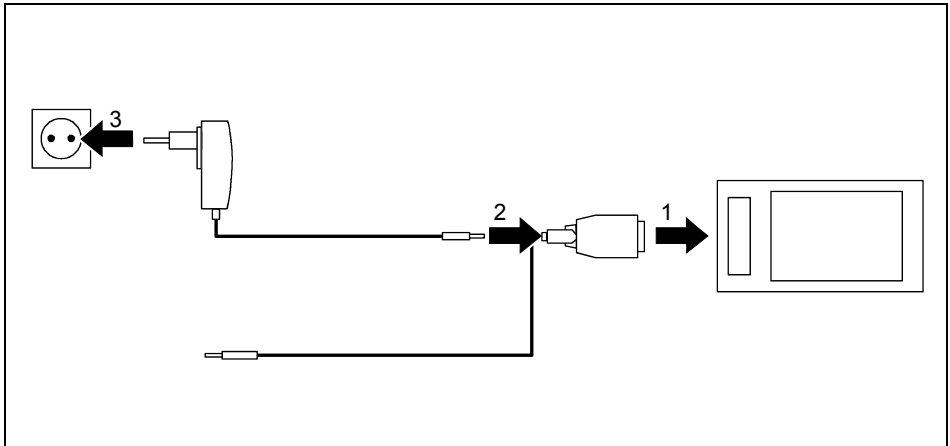
Follow the instructions on the PSC11R-050 power adapter in the section "Connecting PSC11R-050 power adapter".

Charging the battery directly via the PSC11R-050 power adapter

You can connect the PSC11R-050 power adapter directly to the Pocket PC. There are two ways to do this:

- You can use the ActiveSync cable.
- You can use the adapter.

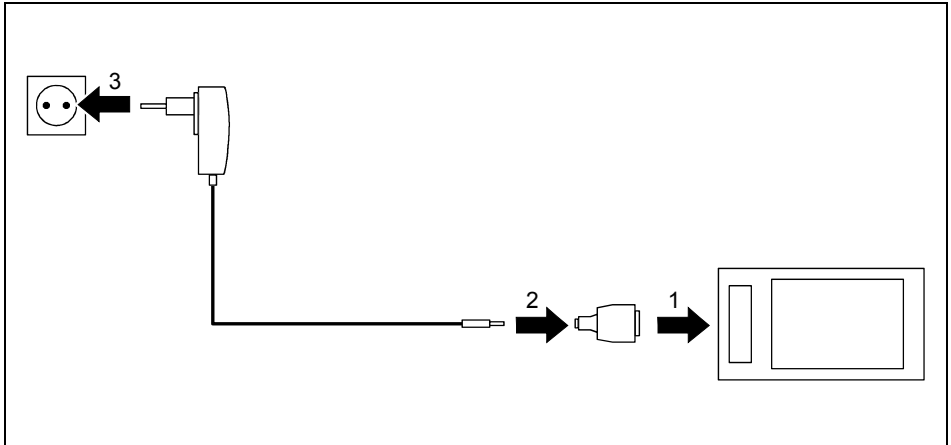
Connecting PSC11R-050 power adapter to Pocket PC with ActiveSync cable



- ▶ Connect the ActiveSync cable (1) to the ActiveSync port on the Pocket PC.
- ▶ Connect the power adapter cable (2) to the DC socket of the ActiveSync cable.
- ▶ Connect the PSC11R-050 power adapter (3) to an electrical outlet.

The installed battery will now be charged. The power-on indicator flashes orange.

When the battery is fully charged, the power-on indicator lights continuously orange.

Connecting PSC11R-050 power adapter to Pocket PC with adapter

- ▶ Connect the adapter (1) to the ActiveSync port of the Pocket PC.
- ▶ Connect the power adapter cable (2) to the adapter.
- ▶ Connect the PSC11R-050 power adapter (3) to an electrical outlet.

The installed battery will now be charged. The power-on indicator flashes orange.

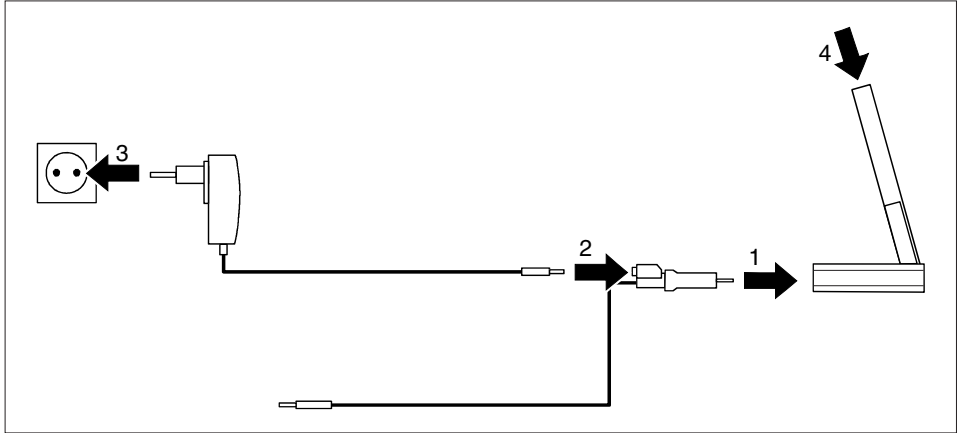
When the battery is fully charged, the power-on indicator lights continuously orange.

Charging battery with cradle

There are two ways to connect the PSC11R-050 power adapter to the cradle:

- You can use the ActiveSync cable.
- You can use the adapter.

Connecting PSC11R-050 power adapter to cradle with ActiveSync cable

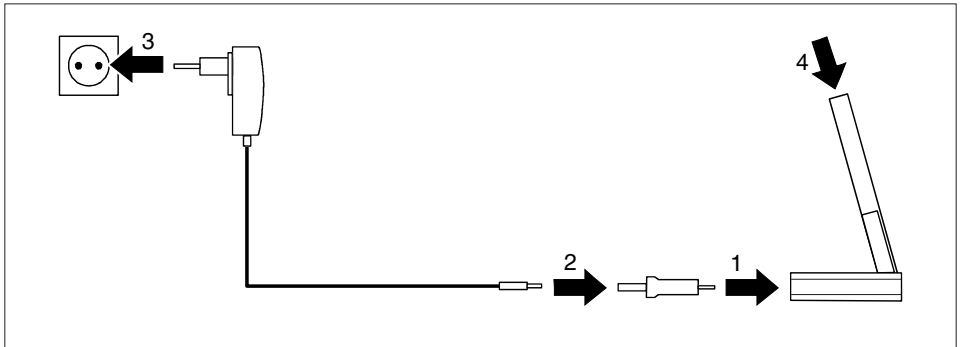


- ▶ Connect the ActiveSync cable (1) to the ActiveSync port of the cradle.
- ▶ Connect the power adapter cable (2) to the DC socket of the ActiveSync cable.
- ▶ Connect the PSC11R-050 power adapter (3) to an electrical outlet.
- ▶ Place the Pocket PC in the cradle (4).

The installed battery will now be charged. The power-on indicator flashes orange.

When the battery is fully charged, the power-on indicator lights continuously orange.

Connecting PSC11R-050 power adapter to cradle with adapter



- ▶ Connect the adapter (1) to the ActiveSync port of the cradle.
- ▶ Connect the power adapter cable (2) to the adapter.
- ▶ Connect the PSC11R-050 power adapter (3) to an electrical outlet.
- ▶ Place the Pocket PC in the cradle (4).

The installed battery will now be charged. The power-on indicator flashes orange.

When the battery is fully charged, the power-on indicator lights continuously orange.

Charging the battery via a USB port

- ▶ Connect the ActiveSync cable to your Pocket PC.
- ▶ Connect the ActiveSync cable to the computer's USB port.



The computer's USB port must deliver no less than 500 Ma of power. Because of the low charging current, the charging process will take longer than it does using the power adapter.

Optimising battery operating time

When you have completely charged the battery, you can operate the Pocket PC for up to 12 hours without a power connection. However, it is not possible to exactly specify the maximum operating time, as different applications use more or less energy.

In the system settings you can make settings that help you save energy when using your Pocket PC. These settings enable you to use the battery operating time optimally.



In the default setting, a setting is activated that automatically switches the Pocket PC into the Suspend mode after three minutes when working without a power connection if no entries are made during this time. You can switch on the Pocket PC again at any time by briefly pressing the Suspend/Resume button and then continue working where you left off.

Synchronising data with ActiveSync

To also have the current version of the data you have processed on the road on your Pocket PC available on your PC/notebook, you must copy these data to your PC/notebook. This procedure is conveniently enabled with data synchronisation:

In the *ActiveSync* program you can specify that the respective latest version of a file be detected and then automatically updated on the respective data carrier - regardless of whether it is the Pocket PC or a PC/notebook.

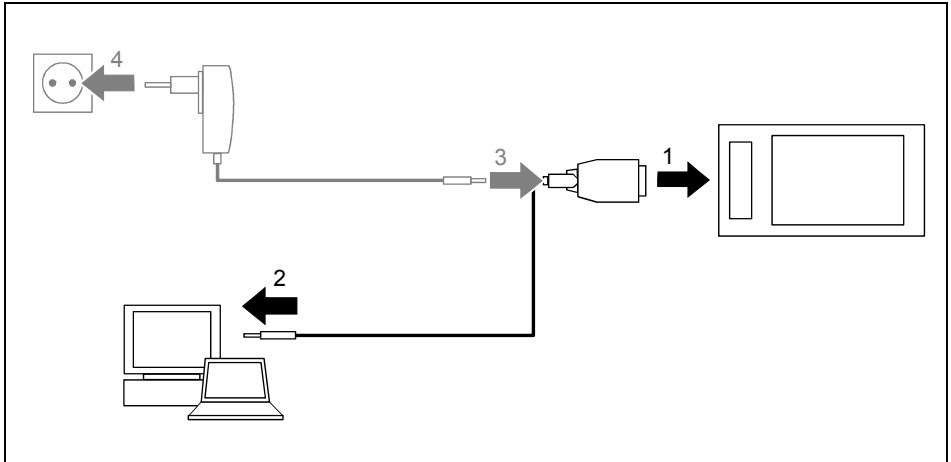
You can synchronise your data between your Pocket PC and your PC/notebook via the cradle, using the ActiveSync cable or via infrared, Bluetooth or wireless LAN.

You will find information on how you synchronise data using *ActiveSync*, in the *ActiveSync* help file on your PC/notebook.



If you have not yet installed the *ActiveSync* program on your PC/notebook, you must install it on your PC/notebook before the first data synchronisation between your Pocket PC and your PC/notebook (see section "Initial start-up").

Connecting the Pocket PC with PC/Notebook



- ▶ Switch your PC or notebook on.
- ▶ Connect the ActiveSync cable (1) to the ActiveSync port on the Pocket PC.
- ▶ Connect the ActiveSync cable to a USB port (2) of your PC/notebook.

The Pocket PC is now connected to your PC/notebook. The ActiveSync partnership between your Pocket PC and your PC/notebook will be established.

Synchronising data with new PC/notebook

If you intend to synchronise data with a new PC/Notebook, then you must first install *ActiveSync* on the new PC/notebook and then create a new ActiveSync partnership (on this point, see the corresponding explanations in the section "Initial start-up").

Using the cradle

With the cradle you can charge the battery in the Pocket PC and/or carry out a data synchronisation between the Pocket PC and a PC/notebook.

The cradle has an audio output for connecting active loudspeakers, amplifiers or headphones.

Selecting location for cradle

Place the cradle on a stable, flat and non-slip surface. In view of the multitude of different finishes used on furniture, it is possible that the rubber feet of the Pocket PC will mark the surface they stand on.

The cradle and the PSC11R-050 power adapter should be at least 200 mm apart.

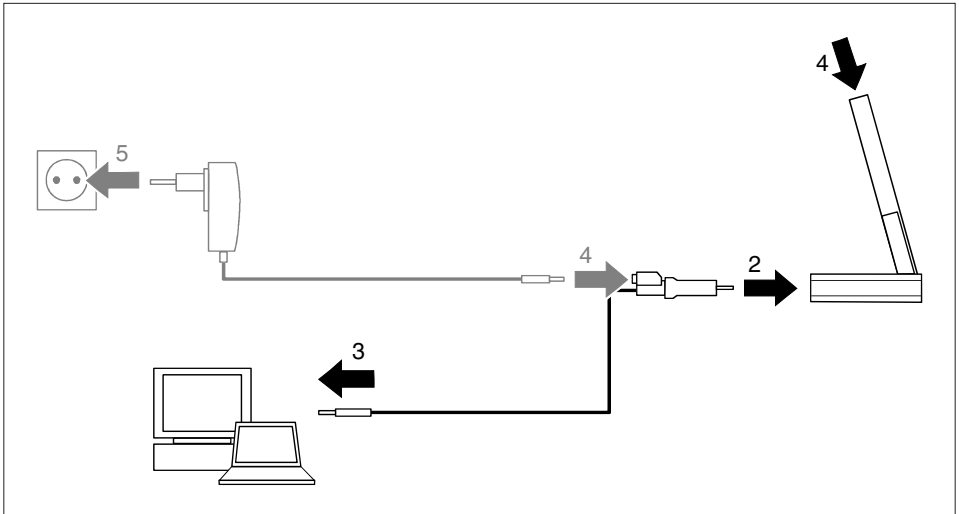
Keep other objects 100 mm away from the cradle and its PSC11R-050 power adapter to ensure adequate ventilation.

The Pocket PC and the cradle should not be subjected to extreme environmental conditions. Protect the Pocket PC and cradle from dust, moisture and heat.

Using cradle for data synchronisation



Before initial data synchronisation between Pocket PC and PC/notebook you must install the *ActiveSync* program on your PC/notebook (see the section "Initial start-up").



- ▶ Switch your computer (PC/Notebook) on.
- ▶ Place the Pocket PC in the cradle (1).
- ▶ Connect the ActiveSync cable (2) to the ActiveSync port of the cradle.
- ▶ Connect the ActiveSync cable to a USB port (3) of your PC/notebook.

The Pocket PC is now connected to your PC/notebook. The ActiveSync partnership between your Pocket PC and your PC/notebook will be established.

- ▶ If the battery charge level of your Pocket PC is low, you should connect the PSC11R-050 power adapter (see section "Connecting PSC11R-050 power adapter").



You can continue to leave the cradle connected to the power adapter PSC11R-050 and the cradle connected to your PC/Notebook with the result that you only have to place your Pocket PC into the cradle in order to charge the battery or to synchronise data.

More information on data synchronisation is contained in the section "Synchronising data with ActiveSync" and in the Help file on your Pocket PC.

Configuring the Pocket PC

You can already choose from a large number of programs when you use the Pocket PC for the first time. In addition, proven default settings are defined for the menu structure, energy management, memory management and security functions.

But, of course, you can add and remove programs and configure the Pocket PC as desired.

You will find out how to use some of the functions (e.g. energy management) in this section.

For information on removing and adding programs, please refer to the documentation from the software manufacturer and the *ActiveSync* help file, that you can call at any time after installing *ActiveSync* on your notebook/PC.

Energy management optimising

General information on energy management

The battery operating time is considerably dependent on the applications used. Please consider that a particularly large amount of energy is required to play sound files or make sound recordings. Therefore, if you want to work for up to 12 hours without a power connection, limit the use of energy-intensive applications.

Data exchange with a PC or notebook also consumes additional battery power. Therefore, always connect your Pocket PC to an electrical outlet during data exchange if possible.

Using energy-saving functions

You can save energy in several ways to optimally utilise the battery operating time:

- Switch the Pocket PC into the Suspend mode when you are not using it.
- Reduce the processor speed.
- Switch the display lighting off or reduce the brightness.
- Switch off the sound, reduce the volume or only allow acoustic signals for certain applications.

Switching the Pocket PC into Suspend mode

- ▶ Select the number of minutes after which the Pocket PC is to switch into the Suspend mode when it is not used under *Start - Settings - System - Power*.



Press the Suspend/Resume button to deactivate the Suspend mode.

The Pocket PC returns to the point at which you interrupted your work.

Switching off display lighting

- ▶ Select the number of minutes after which the display lighting is to be switched off in the battery mode when the Pocket PC is not used under *Start - Settings - System - Backlight*.

Reducing brightness

- ▶ Reduce the display brightness under *Start - Settings - System - Backlight*.

Switching on the sound and setting the volume

- ▶ Touch the loudspeaker symbol in the navigation bar.
A popup window for the loudspeaker settings appears.
- ▶ Set the desired volume on the slide control with the stylus.
- ▶ To switch off the sound, activate the selection field for *Off* with the stylus.
- ▶ Touch the display anywhere outside the popup window.

Adjusting menus

Frequently used programs appear in the Start menu. You can adjust the Start menu to meet your needs.

▶ Touch the *Menus* symbol under *Start - Settings - Personal*.

A list of programs/applications appears.

To remove programs from the Start menu, click in the checkbox of the program. The check mark is removed from the checkbox.

To add programs to the Start menu, click in the checkbox of the desired program. A check mark appears in the checkbox.

You can also use the program *FSC SpeedMenu* as an alternative for fast access to programs and files. You can quickly and simply adapt *FSC SpeedMenu* to your requirements. Additional information on this subject is provided in the user manual "Pocket LOOX Software Suite" on the Microsoft Getting Started CD.

Password protection

You can protect your Pocket PC from unauthorised access with a password. This makes your data accessible only to persons who know the password.

▶ Touch the *Password* symbol under *Start - Settings - Personal*.

▶ Select the type of password you prefer:

- A password consisting of four numbers (simple 4-digit password).
- A password of alphanumeric characters (a complex alphanumeric password).

If a password has been entered, you will have to enter this password the next time you switch on.

If you have forgotten your password, you can restart your Pocket PC by resetting it to the delivered state (see section "Resetting Pocket PC to delivered state").

Configuring hardware keys

FSC KeyLock: Preventing switch-on with application buttons

By default, your Pocket LOOX starts up if the Suspend button and an application button are pressed. In the program *FSC KeyLock* you can specify that the Pocket PC only starts if the Suspend button is pressed.

You can find the *FSC KeyLock* under *Start – Settings – Personal – Keys - FSC KeyLock*.

You will find further information in the help file on your Pocket LOOX and in the user manual "Pocket LOOX Software Suite" on the Microsoft Getting Started CD.

Assigning chosen functions to the hardware buttons

The buttons of your Pocket PC are assigned certain functions such as running programs. However, you can change these default settings and assign the buttons the functions of your choice.

- ▶ Tap *Start*.
- ▶ Select the *Settings* entry in the menu.
- ▶ Touch the *Buttons* symbol on the *Personal* tab.

A list of the hardware buttons and the assigned programs or functions appears. The four application buttons appear in the list twice. This is because you can assign different applications to these buttons for short and for long keystrokes.

- ▶ Mark the button in the list for which you want to change the assignment.
- ▶ Select the program you want to assign to this button from the list below it.
- ▶ Touch *OK* (navigation bar) to confirm your setting.

The button is now assigned the desired program.

If you want to change the function of several buttons, we advise you to make a note of the new functions.

Connecting and networking the Pocket PC with other devices

The Pocket PC offers a wide range of ways to exchange data with other devices or to work in a network.

You are already familiar with data synchronisation via ActiveSync and the ActiveSync cable in the section "Synchronising data with ActiveSync". You can connect the supplied ActiveSync cable to all PCs notebooks with a USB interface. An active ActiveSync cable for devices with a serial port is also available as an accessory.

In addition, the infrared interface, wireless LAN (optional) and Bluetooth (optional) are available for wireless communication.

This chapter provides you with information on wireless data transfer

- via infrared interface
- via wireless LAN
- via Bluetooth

Wireless data transfer with infrared interface

The infrared interface (IrDA) permits wireless serial data transfer with up to 115 kbits/s.

For data transfer, you must align the infrared interface of your Pocket PC with that of the partner device. The devices must not be more than one metre apart. The infrared interface of one device must be in the range of influence (horizontally approx. 30° and vertically approx. 15°) of the infrared interface of the other device.

The infrared interface is simultaneously a consumer infrared interface (CIR). The CIR interface can transmit over greater distances. As a result, you can also use the Pocket PC as a remote control with suitable software.

You will find information on how to create an IR connection and exchange data in the Help on your Pocket PC.

Wireless connection via Wireless LAN (optional)

Your Pocket PC is equipped with an integrated wireless LAN. Information on this topic is provided in the help file on your Pocket PC.

You can also activate and deactivate the integrated Wireless LAN just as you wish.

- ▶ Touch the *WLAN Power* symbol under *Start - Settings - System*.

Wireless communication with Bluetooth (optional)

With your Pocket PC with an integrated Bluetooth module you can communicate wirelessly with other Bluetooth devices, e.g. with another Pocket PC, a notebook or a mobile phone.

In the following sections, you will find out how to put Bluetooth into operation.

The help file for the software on your Pocket PC explains how you operate the software concerned.

Selecting location for Bluetooth operation

- We recommend that you use the Pocket PC with the Bluetooth components in a typical operating environment. Other Bluetooth devices, which you want to communicate with, should be located at a distance of up to 10 m.
- Only install a partner device within the recommended distance. Observe the output power class of the partner device when doing so. Details are contained in the operating manual of the partner device.
- Use the Pocket PC with the Bluetooth at least 2 m away from other electrical or electronic systems. If you must use the Pocket PC near a microwave cooker, then maintain a distance of at least 3 m from the microwave cooker, as the reception is subject to interference with regard to microwaves.
- Should problems result when communicating via Bluetooth because radios or radio devices are located in the vicinity, then move the Pocket PC to a different location.

Activating and deactivating Bluetooth

- ▶ Touch the *Connections* tab under *Start - Settings* and then touch the *Bluetooth* symbol.

You can switch Bluetooth on and off here.

Troubleshooting and tips

If a fault occurs in your Pocket PC, try to eliminate it with the measures described in this chapter. If you fail to correct the problem, proceed as follows:

- ▶ Make a note of the steps and the circumstances that led to the fault. Also make a note of any error messages displayed.
- ▶ Switch the Pocket PC off.
- ▶ Contact your sales outlet or our hotline/help desk.

Installing new software

You will find information on installing supplementary programs in the *ActiveSync* help file that you can call up after installing *ActiveSync* on your PC/notebook.

- ▶ When installing programs or drivers important files can be overwritten and modified. In order to gain access to the original files if any problems occur after installation, you should make a backup before installing (see section "Synchronising data with ActiveSync").

The Pocket PC's time or date are not correct

- ▶ Touch the *Clock* symbol under *Start - Settings - System*.
- ▶ Change the time.

or

- ▶ Connect your Pocket PC via *ActiveSync* to your PC/Notebook.
- ▶ Synchronise data between the Pocket PC and the PC/notebook. The time and date are also synchronised in the process.

The display of the Pocket PC remains dark

Display lighting is switched off.

- ▶ Press the Suspend/Resume button longer than 1 second.

The display is hardly readable

Reflection

- ▶ Turn the Pocket PC until you can see the information in the display again.

The Pocket PC switches off

If you operate the Pocket PC too long with only the battery, the Pocket PC switches into the Suspend mode when the battery charging level is too low.

- ▶ Connect the PSC11R-050 power adapter to charge the battery.
- ▶ Press the Suspend/Resume button.

The Pocket PC does not start after switch on

If the Pocket PC does not start after switch on, this may be due to one of the following:

The battery is dead.

- ▶ Charge the battery.
- ▶ Connect the PSC11R-050 power adapter to the cradle with the Pocket PC.
- ▶ Check whether the PSC11R-050 power adapter is connected correctly to the cradle.
- ▶ Check whether the power cable is plugged properly into the power adapter and into the electrical outlet. The indicator on the power adapter should illuminate.

The battery is charged. The power-on indicator flashes orange.

PSC11R-050 power adapter is not properly connected.

- ▶ Switch the Pocket PC off.
- ▶ Check whether the PSC11R-050 power adapter is properly connected to the Pocket PC and the electrical outlet.
- ▶ Then switch the Pocket PC on again

The Pocket PC stops working

If the Pocket PC stops working, this may have the following reasons:

An application program has caused the fault.

- ▶ Restart the Pocket PC (see section "Switching on and off with soft reset (warm boot)").
- or
- ▶ If the restart does not function, reset the Pocket PC to the delivered state (see section "Resetting the Pocket-PC (Cold start)").

Battery is empty.

- ▶ Connect the PSC11R-050 power adapter to the Pocket PC to charge the battery.
- or
- ▶ Connect the PSC11R-050 power adapter to the cradle and insert the Pocket PC in the cradle to charge the battery.

The battery discharges too quickly

The battery is either too hot or too cold.

- ▶ Bring the Pocket PC up / down to a normal temperature again.

If the operating time of the battery mode is extremely short, the battery is probably old and should be replaced. Please contact your dealer for a new battery.

The Suspend/Resume button does not respond properly

You have pressed and held the Suspend/Resume button too long to switch the Pocket PC on or off.

- ▶ Briefly press the Suspend/Resume button until the Pocket PC switches on or off.

No sound or minimal volume

Check whether the volume is set correctly.

- ▶ Touch the loudspeaker symbol in the navigation bar.

A popup window for the loudspeaker settings appears.

- ▶ Activate the selection field for *Off* with the stylus.

or

- ▶ Set the desired volume on the slide control with the stylus.

Poor reception via GPS

The installation position of the Pocket PC in your vehicle is unfavourable.

- ▶ Change the installation position of the Pocket PC.

Your vehicle's windscreen is coated.

- ▶ Use an external GPS antenna (available as an accessory).

Contact with hotline/help desk

If you are unable to solve a certain problem, please contact the hotline/help desk. Additional details are contained in the "Safety" and "Warranty" manuals. Please have the following information ready when you call:

- The model name and serial number of the Pocket PC. The serial number is located on a sticker on the backside of the Pocket PC.
- Notes of any messages that appear on the screen and information on acoustic signals.
- Any changes you have made to the hardware or software after receiving the Pocket PC.
- Your system configuration and all peripheral devices connected to your system (e. g. keyboard).
- Your sales contract.

Technical data

Pocket PC

Processor:	Intel PXA270 with up to 624 MHz (depending on model)
Main memory:	64 - 256 Mbyte ROM (depending on model) 64 Mbyte RAM

Electrical data

Regulations complied with:	CE, FCC Part 15 Class B, EN 60950, UL, cUL
Protection class:	III
Maximum power draw: (when Pocket PC is on with battery charging)	10 W

Display

Transflective TFT display:	3.5 inch QVGA, 240 x 320 pixels, 65,536 colours	3.6 inch VGA, 480 x 640 pixels, 65,536 colours
----------------------------	----------------------------------------------------	---------------------------------------------------

Card slots

1 x slot:	"Secure Digital I/O", "MultiMediaCard"
-----------	----------------------------------------

Ports/interfaces

Audio:	Microphone, loudspeaker, headphones (3.5 mm) or remote control
Data:	Consumer IrDA, USB 1.1 Host/Client, serial (RS232; supports DTR/DTS), Bluetooth 1.2 Class 2, Wireless LAN (IEEE 802.11g), GPS Sirf Star 3 (depending on model)

Environmental conditions

Environment class 3K2, 2K2	DIN IEC 721 EN 60721
Housing class 7M2	DIN IEC 721 EN 60721
Temperature: <ul style="list-style-type: none">• Operating (3K2)• Transport (2K2)	5°C – 40°C -25°C – 60°C

Dimensions

Height/width/depth:	115.7 mm x 70.2 mm x 14.6 mm
Weight:	approx. 145 g (depending on model)

Battery (Li-Ion)

Rated capacity:	1200 mAh
Charging time (when not in operation):	Max. 4 hours
Operating time:	up to 12 hours up to 350 hours in stand-by mode

PSC11R-050 power adapter

Primary: <ul style="list-style-type: none">• Rated voltage:• Frequency:	100 V to 240 V (automatic) 50 Hz to 60 Hz (automatic)
Secondary: <ul style="list-style-type: none">• Rated voltage:• Max. rated current:	5 V \pm 5% 2.0 A \pm 5%

Index

A

- ActiveSync partnership, establishing, 17
- ActiveSync port, 11
- ActiveSync, installing, 17
- Adjusting touchscreen, 18
- Application button
 - Calendar button, 12
 - CONNECTMOBILITY-E2C button, 12
 - Contacts button, 12
 - navigation button, 12
 - switching on, 19
 - Today button, 12

B

- Battery
 - capacity, 9
 - charging with PSC11R-050 power adapter, 30
 - discharges, 46
 - inserting, 14
 - storing, 9
 - technical data, 50
- Battery compartment cover, 12
- Bluetooth, 44
 - indicator, 13

C

- Calendar button, 12
- CE marking, 10
- Charging battery with cradle, 32
- Charging the battery, 29
- Cleaning, 9
- Configuring hardware keys, 42
- Configuring the Pocket PC, 39
- Connecting the Pocket PC with PC/Notebook, 35
- Connections, 11
- CONNECTMOBILITY-E2C button, 12
- Contacts button, 12
- Controls, 11

D

- Dark display, 45
- Data
 - technical, 49
- Data synchronisation, 34
 - via cradle, 37
- Data transfer
 - Bluetooth, 44
 - infrared, 43
 - Wireless LAN, 43
- Date, not correct, 45
- Date/Time incorrect, 45
- Delivered state, 22
- Display, 11
 - cleaning, 9
 - difficult to read, 45
 - reflected glare, 45
 - remains dark, 45
- Display lighting, 40
 - switching off, 25
 - switching on, 25
- Displays, 11
- Disposal, 9

E

- Electromagnetic compatibility, 10
- Energy management optimising, 39
- Expansion card
 - handling, 26
 - inserting, 26
 - removing, 27
- Expansion card slot, 12

F

- First start, 18
- FSC KeyLock, 42

G

- GPS, 29
 - indicator, 13
- GPS antenna, 12

H

Hardware reset, 22
Hardware, overview, 11
Headphones port, 12
Hotline/Help Desk, 47

I

Indicator
 battery charge level, 13
 Bluetooth, 13
 GPS, 13
 message, 13
 WLAN, 13
Infrared interface, 11, 43
Initial start-up, 13
 basic operation, 18
 first start, 18
 Today screen, 18
 touchscreen, 18

M

Microphone, 11

N

Navigation button, 12
Navigation key, 12
No sound, 47
Notational conventions, 2
Notes
 CE marking, 10
 cleaning, 9
 disposal, 9
 safety, 7

O

On/off time, 19
Operating, basically, 18
Optimising battery operating time, 33
Overview
 Hardware, 11
 software, 3

P

Password protection under Pocket PC, 41
Pen, 12
Pocket PC
 before you travel, 8
 cleaning, 9
 connecting with other devices, 43
 does not start, 46
 does not work, 46
 networking, 43
 operating, 11
 switches itself off, 45
 switching off, 19
 switching on, 18, 19
 transporting, 8
Power saving possibilities, 40
Power-on indicator, 11, 13
Preparing for use
 first time, 13
 inserting battery, 14
PSC11R-050 power adapter
 connecting, 15
 technical data, 50
 with ActiveSync cable on Pocket PC,
 30, 32
 with adapter on cradle, 33
 with adapter on Pocket PC, 31

R

Radio indicator, 11
Record button, 11
Recycling, 9

S

Safety notes, 7
Screen too bright, 45
Signs and symbols, 2
Soft reset
 carrying out, 21
 opening, 11
Software
 installing new software, 45
 new installation, 45
 Overview, 3
Standard operating elements, using, 24
Start menu, customising, 41
Start-up
 connect PSC11R-050 power adapter,
 15

- Status
 - battery charge level, 13
 - message, 13
 - Storage, battery, 9
 - Stylus
 - removing, 18
 - Summer time, 45
 - Suspend mode, 19
 - Suspend/Resume button, 11
 - does not react, 47
 - switching off, 19
 - switching on, 19
 - Switching off sound, 40
- T**
- Technical data, 49
 - battery, 50
 - Pocket PC, 49
 - PSC11R-050 power adapter, 50
 - Time
 - not correct, 45
 - Time not correct, 45
 - Time, daylight savings, 45
 - Tips, 45
- Today button, 12
 - Today screen, 18
 - Transport, 8
 - Travel, Pocket PC, 8
 - Troubleshooting, 45
- U**
- Using navigation key, 24
 - Using the application buttons, 25
 - Using the cradle, 36
 - Using the pen, 24
- V**
- Volume, minimal, 47
- W**
- Warm boot, 21
 - Wireless data transfer, 43, 44
 - Wireless indicator, 13
 - Wireless LAN, 43
 - WLAN, 43
 - indicator, 13