

B2200/B2400

OKI
PRINTING SOLUTIONS



User's Guide

B2200/B2400/B2400n



PREFACE

Every effort has been made to ensure that the information in this document is complete, accurate, and up-to-date. Oki assumes no responsibility for the results of errors beyond its control. Oki also cannot guarantee that changes in software and equipment made by other manufacturers and referred to in this guide will not affect the applicability of the information in it. Mention of software products manufactured by other companies does not necessarily constitute endorsement by Oki.

While all reasonable efforts have been made to make this document as accurate and helpful as possible, we make no warranty of any kind, expressed or implied, as to the accuracy or completeness of the information contained herein.

The most up-to-date drivers and manuals are available from the Oki web site:

<http://www.okiprintingsolutions.com>

Copyright © 2007 Oki Europe Ltd.

Oki and Microline are registered trademarks of Oki Electric Industry Company, Ltd.

Energy Star is a trademark of the United States Environmental Protection Agency.

Microsoft, MS-DOS and Windows are registered trademarks of Microsoft Corporation.

Other product names and brand names are registered trademarks or trademarks of their proprietors.



As an Energy Star Program Participant, the manufacturer has determined that this product meets the Energy Star guidelines for energy efficiency.



This product complies with the requirements of the Council Directives 89/336/EEC (EMC) and 2006/95/EC (LVD) as amended where applicable on the approximation of the laws of the member states relating to electromagnetic compatibility and low voltage.

CONTENTS

Preface	2
Notes, cautions and warnings.	4
Introduction	5
Features	5
Parts identification	6
Print media	7
Paper	7
Transparencies and labels	10
Envelopes	11
Print quality adjustments.	12
Clearing paper jams	13
Setting printing preferences	15
Setup tab	16
Job Options tab	17
Image tab	18
Printer menus	19
Resetting the drum counter	27
LED indicators	28
Status monitor indication.	28
Error indications	28
Specifications	30
Index.	32
Oki contact details	33

NOTES, CAUTIONS AND WARNINGS

NOTE

A note provides additional information to supplement the main text.

CAUTION!

A caution provides additional information which, if ignored, may result in equipment malfunction or damage.

WARNING!

A warning provides additional information which, if ignored, may result in a risk of personal injury.

For the protection of your product, and in order to ensure that you benefit from its full functionality, this model has been designed to operate only with genuine Oki Printing Solutions toner cartridges. These can be identified by the Oki Printing Solutions trademark. Any other toner cartridge may not operate at all, even if it is described as "compatible", and if it does work, your product's performance and print quality may be degraded.

Specifications subject to change without notice. All trademarks acknowledged.

INTRODUCTION

B2200/B2400 desktop printers offer a crisp, high quality, fast printing solution in a lightweight and compact unit that can be conveniently located right at the point of need.

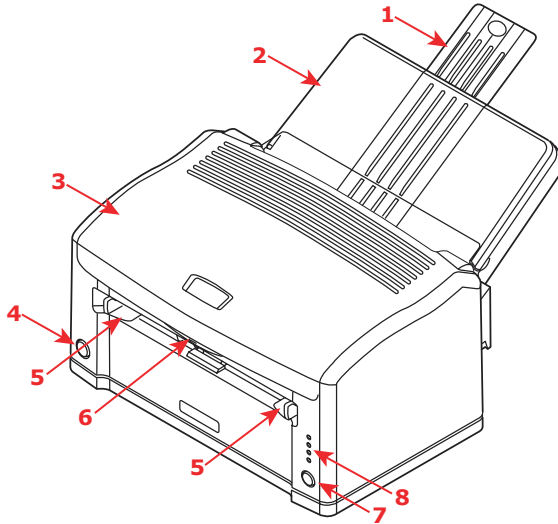
This User's Guide gives day-to-day operating guidance and simple maintenance procedures, and is applicable to all models in the range:

- > **B2200**—A compact GDI (Graphics Device Interface) printer for Windows and Macintosh, allowing the host computer to perform most of the page image processing using its native operating system software.
- > **B2400**—A compact PCL (Printer Control Language) printer for Windows and Macintosh. The printer performs all page image processing internally, freeing computer resources for other tasks.
- > **B2400n**—A enhanced version of B2400 that features built-in network capability, making it easy to share between multiple users on a local area network (LAN).

FEATURES

- > Compact size offers high quality printing conveniently situated at the point of need.
- > Up to 20 pages per minute printing speed for high productivity.
- > 150 sheet input tray provides ample capacity ensuring the printer is always ready.
- > Manual paper feed for occasional printing on non-standard paper, envelopes or transparencies.
- > 30 sheet output tray capacity for multipage documents.
- > High resolution 1200x600 dots per inch (dpi) for crisp text and graphics.
- > USB and Centronics connections for quick and simple connection to the host computer.
- > LAN connection (B2400n only) for direct connection to a network cable for convenient workgroup sharing.

PARTS IDENTIFICATION



- 1** Paper support.
- 2** Paper tray (below cover) and output tray (above cover).
- 3** Top cover.
- 4** Power on/off button.
- 5** Manual feed guides.
- 6** Top cover release button.
- 7** On-Line button—switches printer on line or off line. To clear a current print job from printer memory, press and hold this button for about 5 seconds.
- 8** Status lights:
 - > **Power On**—lights when power is switched on.
 - > **Ready/Printing**—lights when printer is standing by to receive data, flashes slowly (approx. 2-sec.) when data is being received and processed, flashes faster (approx. 1-sec.) when printer is printing.
 - > **Load Paper**—Flashes when printer requires paper in manual feeder.
 - > **Error**—lights when error, such as paper jam or cover open, occurs.

PRINT MEDIA

Print media that can be used with your printer includes standard copier bond paper, certain types of envelope and certain types of transparency.

PAPER

The best type of paper to choose is standard 80-90g/m² bond paper designed for use in plain paper copiers and laser type printers. Pre-printed stationery, such as letterhead paper can also be used as long as the pre-printed parts can withstand a combination of heat and pressure. Experience will determine the suitability or otherwise of particular pre-printed stationery.

Avoid using paper that is damaged in any way, such as folded, perforated, torn or stapled sheets, and avoid feeding the same sheet twice to print on both sides. Also avoid using very glossy or heavily embossed paper.

Store paper flat and sealed in its original wrapping until required for use. Paper left out tends to absorb moisture from the air. This makes it prone to curling and also less able to retain a permanent image.

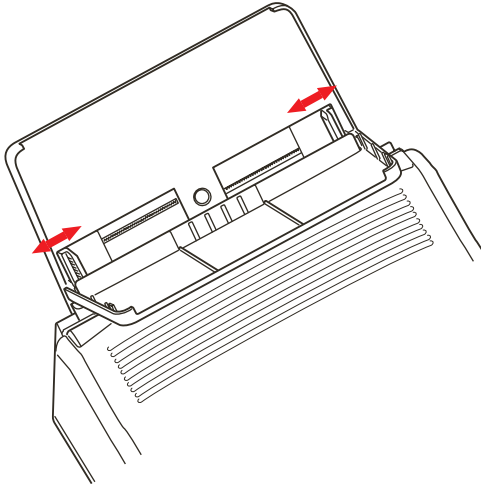
The paper tray can hold up to about 150 sheets of standard bond paper. The manual feeder takes just one sheet at a time. Take just enough paper from its wrapping, fan the stack to ensure all sheets are separated from each other, then tap the stack flush again before loading.

Load pre-printed stationery top edge first and face down into the paper tray or face up into the manual feeder.

If plain paper seems to curl excessively during the print process, try turning the stack over in the input tray. You may have been printing on the wrong side.

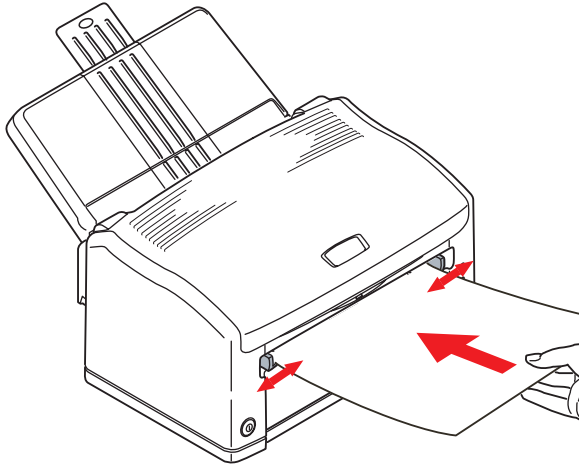
LOADING PAPER IN THE TRAY

1. Remove up to 150 sheets from their wrapping and carefully reseal the wrapping to preserve the rest of your paper in good condition.
2. Fan the paper stack to ensure all sheets are properly separated, then tap the stack flush again before loading.
3. Raise the paper tray cover.



4. Adjust guides to width of paper stack. They should just touch the sides of the stack but not grip it tightly.
5. Slide the paper stack fully into the tray as far as it will go, print side downwards, top edge into the printer, and ensure the guides just touch each side of the stack.
6. Close the tray cover.

LOADING PAPER IN THE MANUAL FEEDER



1. In your computer's **Print** dialogue, click the printer [Properties] button to display the **Printing Preferences** dialogue.
2. On the **Setup** tab, choose the correct size for your paper, set the source to [Manual] (you can click on the manual feeder in the printer graphic if you prefer).
3. On the **Job Options** tab, set the correct **Orientation** for your document. [Landscape] rotates the page image 90° left.
4. Click [OK] to close the **Printing Preferences** dialogue and click [OK] to close the **Print** dialogue and print the document.

The paper feed light will flash, prompting you to load the paper. Adjust the paper guides to the width of the paper. They should lightly touch each side edge of the paper but not grip it tightly.

5. Load the sheet to be printed, top edge first, print side up, into the feeder and push it gently until you feel slight resistance. The printer will advance the paper a short distance and retain it and the Load Paper light will stop flashing.

When the page image has been processed the paper will be drawn into the printer and your printed page will be ejected into the output tray.

NOTE

Pages are ejected face up. For multipage documents you may want to choose reverse print order in your print dialogue if your application offers it.

TRANSPARENCIES AND LABELS

Choose transparencies designed for use in plain paper monochrome copiers, as they are required to withstand high temperature and pressure. These usually have a print side which feels slightly rougher (matt finish) than the back, which is a little more glossy.

CAUTION!

Do not use transparencies designed only for hand marking on an overhead projector. These will melt inside the printer and cause serious damage.

Transparencies tend to feed more reliably in the manual feeder than when stacked in the input tray.

Choose sheets of labels designed for use in laser type printers or copiers. The labels should cover the entire sheet, leaving no part of the backing sheet exposed, otherwise they will tend to peel off inside the printer.

LOADING TRANSPARENCIES AND LABELS

It is recommended to use the manual feeder for this type of media, as described earlier for paper.

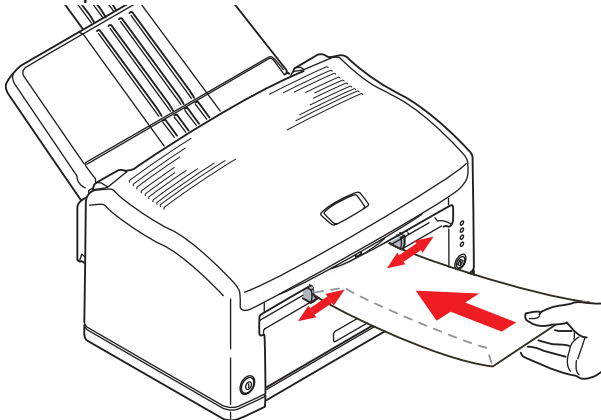
ENVELOPES

Envelopes can be directly printed in this printer as long as you choose suitable types. Avoid self sealing envelopes and those with windows or metal clasps. Preferably choose envelopes with rectangular flaps rather than triangular flaps.

LOADING ENVELOPES IN THE MANUAL FEEDER

1. When creating your address document, format it to the size of the envelope, remembering to set it to landscape (wide) format for most envelopes. (Standard DL size envelopes are 22cm wide by 11cm tall.)
2. In your computer's **Print** dialogue, click the printer [Properties] button to display the **Printing Preferences** dialogue.
3. On the **Setup** tab, choose the correct size for your envelope, **Source** to [Manual] (you can click on the manual feeder in the printer graphic if you prefer), and set the **Weight** to [Heavy].
4. On the **Job Options** tab, set the **Orientation** to [Landscape] (if your envelopes are to print this way).
5. Click [OK] to close the Printing Preferences dialogue and click [OK] to close the Print dialogue and print the envelope.

The paper fed light will flash, prompting you to load the envelope.



6. Load the envelope, short edge first, print side up, flap folded under and to the left, into the feeder and push it gently until you feel slight resistance. The printer will advance the envelope a short distance and retain it.

The sheet will be drawn into the printer and the printed page will eject normally into the output tray.

PRINT QUALITY ADJUSTMENTS

For most printing on standard bond paper the default (medium) setting for paper thickness is appropriate. However, for printing on other media it may be necessary to make temporary adjustments.

The settings for various types of print media are given in the following table:

WINDOWS	MACINTOSH	MEDIA WEIGHT
Heavy	Heavy	105–120g/m ²
Medium heavy	Medium heavy	Approx. 90–104g/m ²
Medium	Medium	Approx. 75–89g/m ²
Medium light	Medium light	Approx. 68–74g/m ²
Light	Light	Approx. 60–67g/m ²

ADJUSTING YOUR PRINTER PREFERENCES

Changes you make in the **Printing Preferences** dialogue at print time are temporary. When you quit from your application the settings will return to their default values. Permanent changes (new default values) are made using the Status Monitor for Windows to adjust using the built in printer menus.

Alternatively, you can set new default values for printing preferences for your PC only using the Printer's **Properties** dialogue from the **Printers and Faxes** window.

CLEARING PAPER JAMS

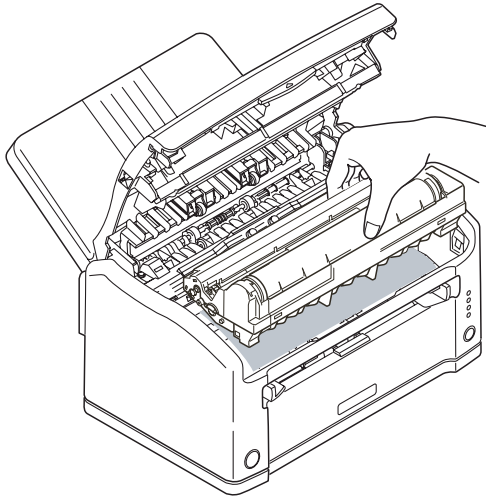
Occasionally it may be necessary to clear a sheet of paper that has become jammed inside the printer. When this happens the printer will stop immediately and the Error light will flash.

After the jam has been cleared and the top cover closed, the printer will automatically reprint the lost page

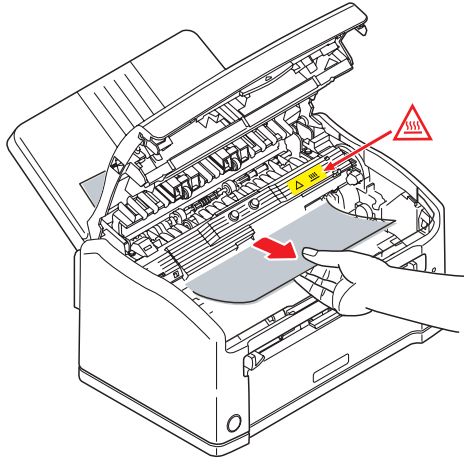
WARNING!

If the printer has been printing for a while the fuser unit will be hot. This unit is clearly marked with a yellow warning label. Do not touch it!

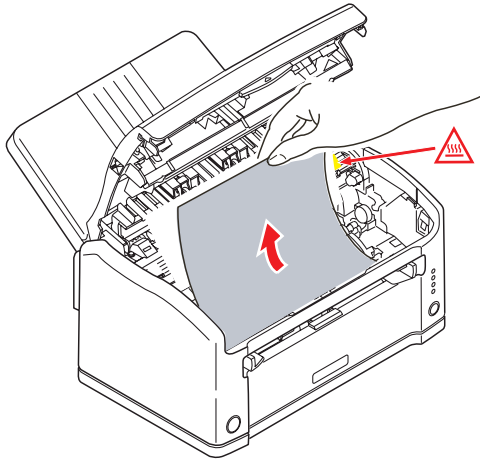
1. Open the top cover and carefully remove the print cartridge (image drum and toner cartridge together) as illustrated.



2. If the paper was fed from the tray, pull the sheet as illustrated below.



3. If the paper was fed from the manual feeder, pull the sheet as follows.



4. Carefully reinstall the print cartridge, pressing down firmly at both ends to ensure it is properly seated, and close the top cover.

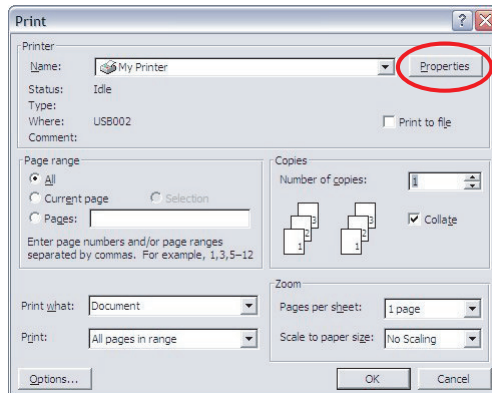
If the top cover will not close, the print cartridge is not properly installed. Remove it and refit correctly.

SETTING PRINTING PREFERENCES

The Status Monitor for Windows provides access to many options and enables the printer default settings to be changed to meet your every day needs.

The Windows printer driver also contains settings for many of these items. Where items in the printer driver are the same as those in the Status Monitor menus, and you print documents from Windows, the settings in the Windows printer driver will override the printer's default settings.

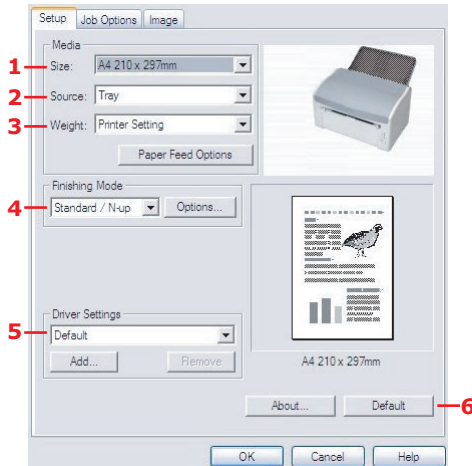
When you choose to print your document from a Windows application program a **Print** dialogue box appears. This dialogue usually specifies the name of the printer on which you will print your document. Next to the printer name is a **Properties** button.



When you click Properties a new window opens the **Printing Preferences** dialogue. These settings are those which you may want to change for specific applications or documents. Settings you change here will usually only last for as long as the particular application program is running.

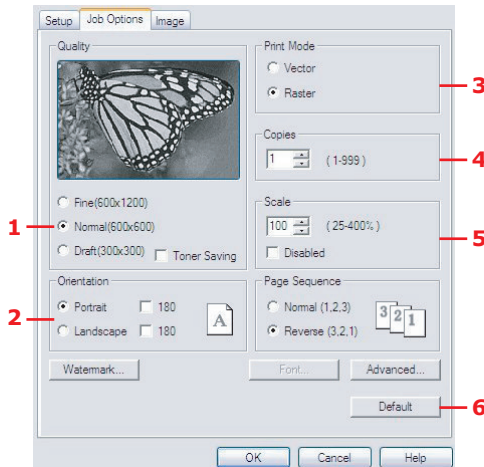
The Printing Preferences dialogue contains three tabs, which are explained in the following sections.

SETUP TAB



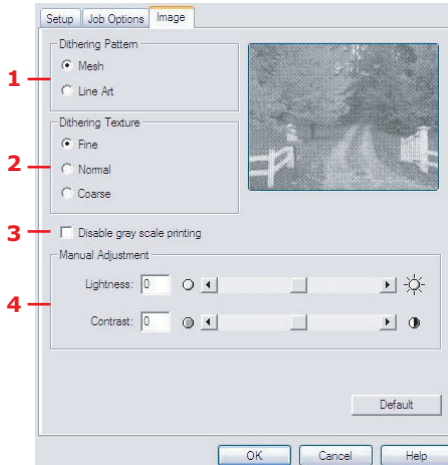
1. Paper size should be the same as the page size of your document (unless you wish to scale the printout to fit another size), and should also be the same as the size of paper you will feed into the printer.
2. You can choose the source of the paper to feed, which may be the standard paper tray or manual feeder. You can also click on the appropriate part of the screen graphic to select your preferred tray.
3. Leave the weight as Printer Setting if using your normal paper, or choose a specific setting for special media types.
4. A variety of document finishing options can be selected, such as normal one page per sheet, or N-up (where N can be 2 or 4) for printing scaled down pages at more than one page per sheet.
5. If you have changed some printing preferences before and saved them as a set, you can recall them to avoid having to set them individually each time you need them.
6. A single on-screen button restores the default settings.

JOB OPTIONS TAB



1. Set the output resolution of the printed page to meet your needs. If selected, toner saving uses less toner at the expense of print quality.
2. Page orientation can be set to either portrait (tall) or landscape (wide). In landscape the page image is rotated 90 degrees to the left (e.g. for printing envelopes).
3. If Vector print mode is selected the internal printer fonts may be used. Raster print mode downloads the page as a bitmap image, which may be preferred if you use fonts not resident in the printer.
4. You can select up to 999 copies to print consecutively, although you will need to top up the paper tray during such a long print run.
5. Your printed pages can be scaled to fit larger or smaller stationery or the scaling function can be disabled by checking the Disable checkbox.
6. A single on-screen button restores the default settings.

IMAGE TAB



- 1.** Dithering produces an intermediate greyscale by adjusting the combination of dots used in printing. Selecting a setting determines the degree of detail with which a graphics image will be printed. Mesh determines that a screen of dots is used for dithering while Line Art determines that an array of lines is used for dithering.
- 2.** Select dithering texture by setting the size of dots used in the halftone screen.
- 3.** Set this control to print greyscale effects in black without dithering.
- 4.** You can manually adjust lightness (the higher the setting the lighter the print) and contrast (the higher the setting the greater the contrast).

PRINTER MENUS

All the standard settings for the printer are stored within the printer's internal memory. They are accessed via a menu system via the Configuration button in the Status Monitor application.

CATGORY	ITEM	FUNCTIONS
INFO. MENU	MENU MAP	Prints menu list.
	PCL FONT	Prints font list for PCL emulation (B2400 models only).
	PRINT IBM PPR FONT	Prints font list for IBM PPR emulation (B2400 models only).
	PRINT EPSON FX FONT	Prints font list for Epson FX emulation (B2400 models only).
PRINT MENU	COPIES	No. of copies to print.
	MANUAL	Specifies manual feed irrespective of PAPER IN setting.
	SIZE CHK	Specifies whether to display a warning when Edit Size and Paper Size do not match, i.e. whether or not paper size is checked by the printer.
	DPI MODE	Printer resolution.
	TONER SAVE	Whether or not toner saving feature is used.
	ORIENTATION	Page orientation (portrait or landscape) in PCL, PPR and FX emulation modes. (B2400 models only).
	LINES PER PAGE	PCL Emulation setting for B2400 models only.
	EDIT SIZE	In PCL emulation, the print area when the host PC does not specify.

CATGORY	ITEM	FUNCTIONS
USER MENU	TRAY SIZE	Paper size for main tray.
	TRAY MEDIATYPE	Paper type for main tray.
	TRAY MEDIA-WEIGHT	Paper weight for main tray.
	MANUAL PAPERSIZE	Paper size for manual feeder.
	MANUAL MEDIATYPE	Paper type for manual feeder.
	MANUAL MEDIA-WEIGHT	Paper weight for manual feeder.
	MEASURE	Unit of measure when custom paper size is defined.
	X-DIMENSION	Width of custom paper.
	Y-DIMENSION	Length of custom paper.
SYSTEM CONFIG. MENU	EMULATE	Determines emulation mode (Auto/PCL/PPR/FX). B2400 models only.
	CLEARABLE WARNING	Sets the timing delay for clearable warnings.
	AUTO CONTINUE	Determines whether the printer should automatically recover when a memory overflow or manual feed request occurs. B2400 models only.
	MANUAL TIMEOUT	Time to wait for manual paper feed before job is cancelled.
	WAIT TIMEOUT	Time to wait for data input to resume before a forced page eject occurs.
	LOW TONER	Determines whether printing stops when toner is low, or continues until printing is complete.
	JAM RECOVERY	When enabled the printer will remember a lost page when a jam is cleared and reprint it.
	ERROR REPORT	When enabled the printer will print and error report when an internal error occurs. Valid only for PCL XL emulation. B2400 models only.

CATEGORY	ITEM	FUNCTIONS
SYSTEM CONFIG. MENU (Contd.)	LANGUAGE	Specifies language used for report printing. B2400 models only.
PCL MENU (B2400 models only)	FONT SOURCE	Specifies location of PCL default font.
	FONT NO.	Specifies the PCL font number.
	FRONT CPI	Width of PCL default font in characters per inc when this is a fixed spaced font.
	FONT HEIGHT	Height of the PCL default font when this is a proportional spaced font.
	SYMBOL	Selects a PCL symbol character) set.
	A4 WIDTH	No. of characters per line for A4 paper in PCL mode.
	WHITE PAGE SKIP	Determines whether to omit printing of blank pages in PCL mode.
	CR FUNCTION	Determines whether to print carriage return or carriage return plus line feed when a carriage return character is received in PCL mode.
	LF FUNCTION	Similar to CR FUNCTION but on receipt of line feed character.
	PRINT MARGIN	Specifies non-printable area of paper.
	PEN ADJUST	When enabled and minimum weight of line is specified in PCL mode, the line will be emphasized to ensure that it prints clearly.

CATEGORY	ITEM	FUNCTIONS
PPR MENU (B2400 models only)	PITCH	Specifies character pitch.
	CONDENSE	Specifies 12CPI pitch for condense mode.
	CHARACTER SET	Determines character set for printing.
	SYMBOL	Determines symbol set for printing.
	LETTER 0	Specifies the style that replaces character (9B) or (9D) with (f) and (0).
	ZERO CHARACTER	Specifies use of slashed or non-slashed zero (0) character.
	LINE PITCH	Specifies either 6 or 8 lines per inch.
	WHITE PAGE SKIP	Determines whether to omit printing of blank pages.
	CR FUNCTION	See similar for PCL menu on page 21 .
	LF FUNCTION	See similar for PCL menu on page 21 .
	LINE LENGTH	No. of characters per line.
	FORM LENGTH	Length of paper.
	TOF POSITION	Sets position relative to leading edge of paper.
	LEFT MARGIN	Sets position relative to left edge of paper.
	FIT TO LETTER	Selects a print mode that can fit 66 lines of print data into the letter size printable area.
TEXT HEIGHT	Either all characters are the same height or their height depends on the selected character pitch.	

CATEGORY	ITEM	FUNCTIONS
FX MENU (B2400 models only)	PITCH	Specifies character pitch.
	CHARACTER SET	Specifies required character set.
	SYMBOL	Specifies required symbol set.
	LETTER 0	See similar for LETTER 0 in PPR menu on page 22 .
	ZERO CHARACTER	See similar for ZERO CHARACTER in PPR menu on page 22 .
	LINE PITCH	See similar for LINE PITCH in PPR menu on page 22 .
	WHITE PAGE SKIP	See similar for WHITE PAGE SKIP in PPR menu on page 22 .
	CR FUNCTION	See similar for PCL menu on page 21 .
	LINE LENGTH	Sets number of characters per line to 80 or 136.
	FORM LENGTH	Sets form length to Letter, A4 or 12 inch.
	TOF POSITION	Sets first print position relative to top edge of paper.
	LEFT MARGIN	Sets first print position relative to left edge of paper.
	FIT TO LETTER	See similar for PPR menu on page 22 .
	TEXT HEIGHT	See similar for PPR menu on page 22 .
PARALLEL MENU (B2400 models only)	These hardware interfacing engineering functions set the electrical performance of the parallel interface.	
USB MENU	USB	Enables or disables this communication port.
	SOFT RESET	Enables or disables this function.
	SERIAL NUMBER	Sets USB serial number if required.

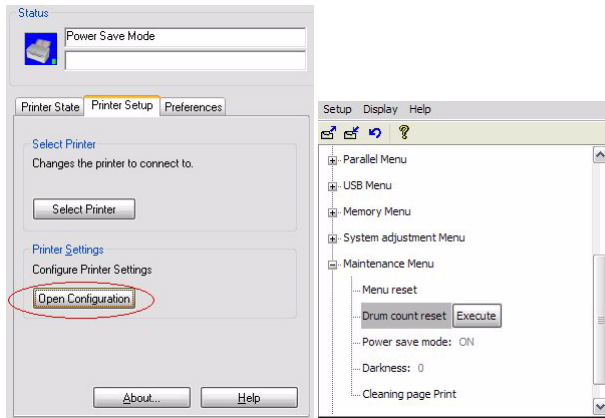
CATGORY	ITEM	FUNCTIONS
NETWORK MENU (B2400n only)	IP ADDRESS SET	Sets fixed IP address or uses DHCP.
	IP ADDRESS	Sets fixed IP address.
	SUBNET MASK	Sets subnet mask.
	GATEWAY ADDRESS	Sets default router address. Leave at 0.0.0.0. if no router.
	WEB	Enables or disables internal web pages for remote configuration.
	SNMP	Enables or disables this protocol.
	HUB LINK SETTING	Sets full or half duplex or enables automatic negotiation.
MEMORY MENU (B2400 models only)	RECEIVE BUFF SIZE	Sets receive buffer size.
ADJUST MENU (B2400 models only)	X ADJUST	Fine adjustment of print image in vertical (direction of paper feed) direction.
	Y ADJUST	Fine adjustment of print position in horizontal direction.
	PCL TRAY 0 ID	Sets the number to specify Tray 0 (Manual Feeder) in PCL emulation.
	PCL TRAY 1 ID	Sets the number to specify Tray 1 (main paper tray) in PCL emulation.
	PLACE PAGE	Sets the mechanical position to left-based or centre-based. Used when printing on paper narrower than the EDIT SIZE (see page 19).

CATGORY	ITEM	FUNCTIONS
MAINT. MENU	EEPROM	Resets all programmable settings to factory defaults.
	DRUM COUNT RESET	Resets drum count when new image drum installed. (See "Resetting the drum counter" on page 27.)
	SETTING	Very fine adjustment of print density to correct streaks, light specks (reduce setting) or faded print (increase setting).
	DARKNESS	Sets print darkness.
	CLEANING	Prints a cleaning page.
USAGE MENU	TOTAL PAGE COUNT	Shows total number of pages that have passed through the fuser unit.
	DRUM LIFE	Shows percentage of drum life that has passed.
	TONER	Shows toner cartridge capacity (ISO) and percentage remaining.

CATGORY	ITEM	FUNCTIONS
ADMIN MENU (System administrators only have access to this menu)	ALL CATEGORY	Enables or disables items in this menu.
	INFO. PRINT MEDIA SYSTEM CONFIG. PCL PPR FX PARALLEL USB NETWORK MEMORY ADJUST MAINT. USAGE	Enables or disables these menus.
	SIDM MN ID	Sets the Pn to specify manual feed for the Cut Sheet Feeder control command (ESC EM Pn) in FX and PPR emulations.
	SIDM M2 ID	Similar to above but for manual feed 2.
	SIDM T1 ID	Similar to above but for main tray.

RESETTING THE DRUM COUNTER

After replacing the image drum, reset the drum counter to keep a correct count of the number of pages printed on the image drum.



1. Start the **Status Monitor** for the printer.
2. Select the **Printer Setup** tab, click on the **Configuration** button and then open the **Maintenance Menu**.
3. Select "Reset Drum Count" and click on the **Execute** button to reset the drum counter.

LED INDICATORS

On the front panel of your printer are four LED indicators. The upper-most LED is the Power ON/OFF indicator, and is illuminated constantly whenever power is applied and switched on. The other three lights have five conditions of illumination depending on the printer's current status:

1. **OFF**—Not illuminated.
2. **ON**—Constantly illuminated.
3. **SLOW BLINK**—Flashing slowly, approximately once every four seconds.
4. **MEDIUM BLINK**—Flashing approximately once per second.
5. **FAST BLINK**—Flashing very fast, approximately four times per second (flickering).

STATUS MONITOR INDICATION

In most cases the Windows status monitor, installed along with the printer driver software if you used the installer program on the supplied CD, will tell you what the current printer status is. You should first consult this. If the message does not help, then the status LEDs on the front of your printer will provide a secondary indication.

ERROR INDICATIONS

The error LED is the bottom-most LED on the front of your printer.

If your printer detects an error condition the error LED will illuminate, either continuously or flashing. In this situation the printer may refuse to print or stop printing in the middle of a job, depending on the cause of the problem.

PAPER JAM

If the paper jams during printing the printer will stop immediately and the error LED will flash at approximately 1-second intervals. In this case the cause will be fairly obvious, since the jammed sheet will be partially visible out of either the front or the top of the printer. (See ["Clearing paper jams" on page 13.](#))

PRINT CARTRIDGE MIS-INSTALLED

If the print cartridge (combination of image drum and toner cartridge) is not located properly this will also cause the error light to illuminate, and it will usually be impossible to latch the top cover fully down. (See ["Step 4" on page 14.](#))

TONER OR IMAGE DRUM CARTRIDGE INAPPROPRIATE

If you install either a toner cartridge or image drum unit that is incompatible with your printer, the error LED will flash at approximately 1-second intervals and the printer will not start.

LOW TONER CONDITION

If the toner cartridge is out of toner the error LED will flash. In this case you may be able to resume printing for a small number of pages by opening and then closing the top cover. Note also that this condition may occur even after you have installed a new toner cartridge if you forget to correctly position the coloured toner lever when installing the toner cartridge. (See instruction sheet supplied with new toner cartridge.)

OTHER POSSIBLE ERROR CONDITIONS

If your printer, or the printing preferences on your computer specify a different paper size or media type than the one you are using, this may cause an error condition to occur. (See ["Setting printing preferences" on page 15.](#))

If an error only occurs when trying to print one particular job, it may be that the page contains corrupted data, or data that is too complex for the amount of available printer memory. In this case try to simplify the page content.

HARDWARE FAULT INDICATION

If your printer develops a hardware fault all three status LEDs will flash fast (flicker approximately four times a second). In this case you should contact your service representative or your Oki dealer for advice and support.

SPECIFICATIONS

The following is a summary specification for all models covered in this guide. Specifications are subject to change without notice.

ITEM	B2200	B2400	B2400n
Model number	N22108B	N22109B	
Power requirement	220~240VAC \pm 10% 50/60Hz \pm 2Hz		
Power consumption (approx.)	Power save mode: >10W Idle: 60W Typical operation: 360W Peak: 660W		
Environment	Operating: 10~32°C, 20~80% RH Non-operating: 0~43°C, 10~90% RH Packaged shipment: -29~+70°C, 10~90% RH (without drum and toner) -29~+50°C, 10~90% RH (with drum and toner) Temperature and humidity non-condensing.		
Physical (without tray)	Width: 321mm Depth: 204mm Height: 181mm Weight: 4.8kg		
Paper size	Tray:	Legal (13 / 14in), A4, US Letter.	
	Manual feeder:	Legal (13 / 14in), US Letter, A4, A5, B5, A6, C5, DL, Com-9, Com-10, Monarch, Statement. Min. 89 x 147mm.	
Paper weight	Tray:	60~105g/m ²	
	Manual feeder:	60~120g/m ²	
Print speed	Engine speed:	20 pages per minute	
	First print time:	5sec. (approx.)	
	Warm-up time:	25sec. (approx.)	
Print resolution	Max. input:	1200 x 600dpi	
	Draft output:	300 x 300 dpi	
	Normal output:	600 x 600dpi	
	Fine output:	1200 x 600dpi	

ITEM	B2200	B2400	B2400n
Internal RAM	8MB	8MB	16MB
Toner capacity	2,000 pages (approx.) depending on usage		
Image drum life (approx., without power save)	Continuous:	15,000 pages	
	3 pages/job:	10,000 pages	
	1 page/job:	6,500 pages	
Acoustic noise	Operating:	52dB	
	Idle:	Background level	
Data interface	USB 2.0	USB 2.0 IEEE 1284 Nibble, ECP	USB 2.0 IEEE 1284 Nibble, ECP Ethernet 10Base-T/ 100Base-Tx auto-sensing
Emulations	GDI	PCL5e PCLXL Epson FX IBM PPR	

INDEX

C

Canceling a print job 6

E

Error

 fault indication 29
 indications 28

H

http

 //www.okiprintingsolutions.com ... 2

I

Image drum

 capacity 31
 Resetting counter 27

L

LED

 error indications 28
 fault indication 29

M

Menus

 Adjust 24
 Administration 26
 FX 23
 Information 19
 Maintenance 25
 Memory 24
 Network 24
 Parallel 23
 PCL 21
 PPR 22
 Print 19
 System Configuration 20, 21
 Usage 25
 USB 23
 User 20

P

Paper

 curling 7
 jam indication 28
 loading manual feeder 9
 loading paper tray 8
 output tray capacity 5
 storage 7
 tray capacity 5, 7
 types to avoid 7
 types to use 7
 weights and measures 30

Paper feed guides

 main tray 8
 manual 9
 manual feeder 6

Print

 resolution 30
 speed 30

S

Status lights 6

T

Toner

 capacity 31

Transparencies

 recommended type 10

OKI CONTACT DETAILS

Oki Systems (UK) Limited

550 Dundee Road
Slough Trading Estate
Slough, SL1 4LE

Tel:44 (0) 1753 819819
Fax:44 (0) 1753 819899
<http://www.oki.co.uk>

Oki Systems Ireland Limited

The Square Industrial Complex
Tallaght, Dublin 24, Ireland

Tel:+353 1 4049590
Fax:+353 1 4049591
<http://www.oki.ie>

OKI Systems – Northern Ireland

40 Sydenham Park
Belfast, BT4 1PW

Tel:+44 (0)28 90 20 1110
<http://www.oki.ie>

Technical Support for all Ireland:

Tel:+353 1 4049570
Fax:+353 1 4049555
E-mail: tech.support@oki.ie

Oki Data Corporation

4-11-22 Shibaura, Minato-ku, Tokyo
108-8551, Japan

Tel:(81) 3 5445 6158
Fax:(81) 3 5445 6189
<http://www.okidata.co.jp>

Oki Data (Singapore) Pte. Ltd.

78 Shenton Way, #09-01,
Singapore 079120

Tel:(65) 221 3722
Fax:(65)421 1688
<http://www.okidata.com.sg>

Oki Systems (Thailand) Ltd.

956 Udomvidhya Building 6th Floor,
Rama IV Rd., Bangkok 10500, Thailand

Tel:(662) 636 2535
Fax:(662) 636 2536
<http://www.okisysthai.com>

Oki Hong Kong Limited

Suite 1909, Tower3,
China Hong Kong City,
33 Canton Rd., Tsimshatsui,
Kowloon, Hong Kong

Tel:(852) 2736 0130
Fax:(852) 2376 3725

The IPL Group

63-85 Victoria Street
Beaconsfield NSW 2015, Australia

Tel:(61) 2 9690 8200
Fax:(61) 2 9690 8300
<http://www.oki.com.au>

Comworth Systems Ltd.

10 Constellation Drive Mairangi Bay,
Auckland,
New Zealand

Tel:(64) 9 477 0500
Fax:(64) 9 477 0549
<http://www.comworth.co.nz>

OKI EUROPE LIMITED

Central House

Balfour Road

Hounslow TW3 1HY

United Kingdom

Tel: +44 (0) 208 219 2190

Fax: +44 (0) 208 219 2199

WWW.OKIPRINTINGSOLUTIONS.COM

